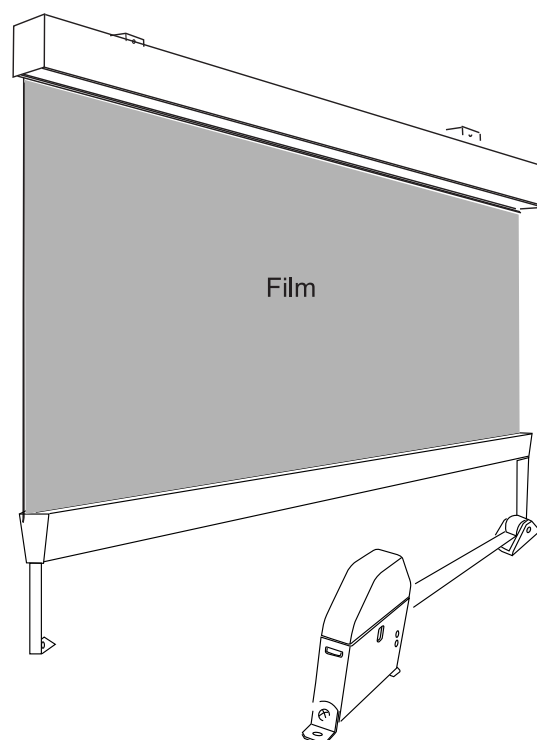


## Assembly instructions

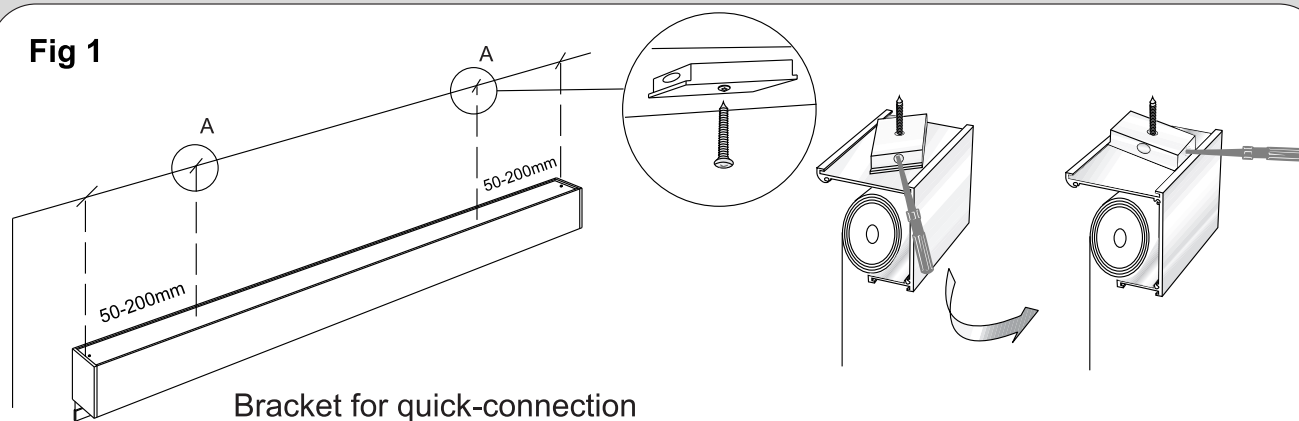
- Mark the position of the quick connectors and fix them re Fig. 1.
- Pass the band through the bottom rail re Fig. 2 ①
- Mount the cassette re Fig. 2 ②
- Pull down the film and mark the position of the band fixing point and the cord guide re Fig. 4. Fix these with screws.
- Fix the bandbox in position re Fig. 5 (normal position, other positions can be necessary). The distance 60-80 cm is important accordig to the handling of the system. Cut the band with ca 30 cm left over re Fig. 5.
- Mount the band in the bandbox re Fig.6 ①-⑤



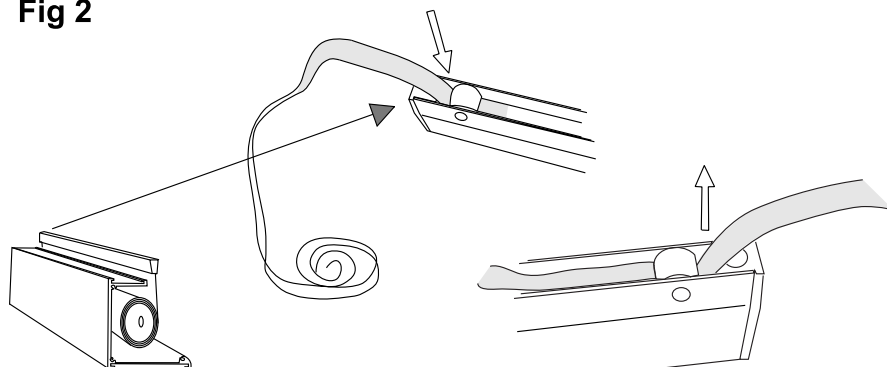
## Bergaflex 027/069 Roller spring-band

Bergaflex AB    Tel +46 42 16 52 00    Fax +46 42 16 51 50    E-post [bergaflex@swipnet.se](mailto:bergaflex@swipnet.se)    [www.bergaflex.com](http://www.bergaflex.com)

**Fig 1**



**Fig 2**



**Fig 3**

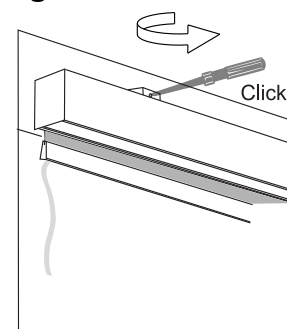


Fig 4

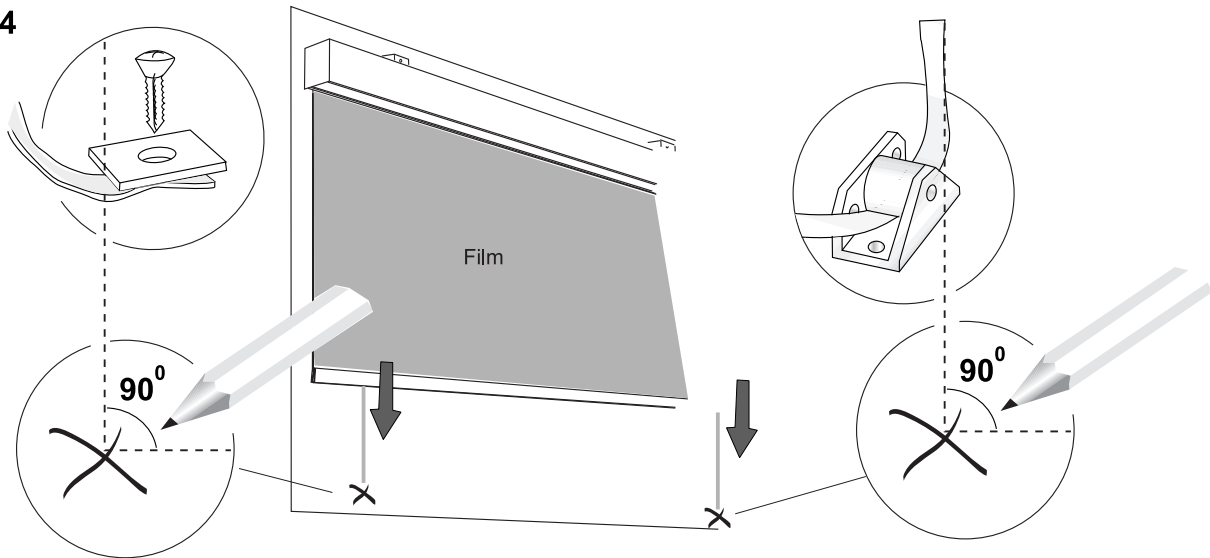


Fig 5

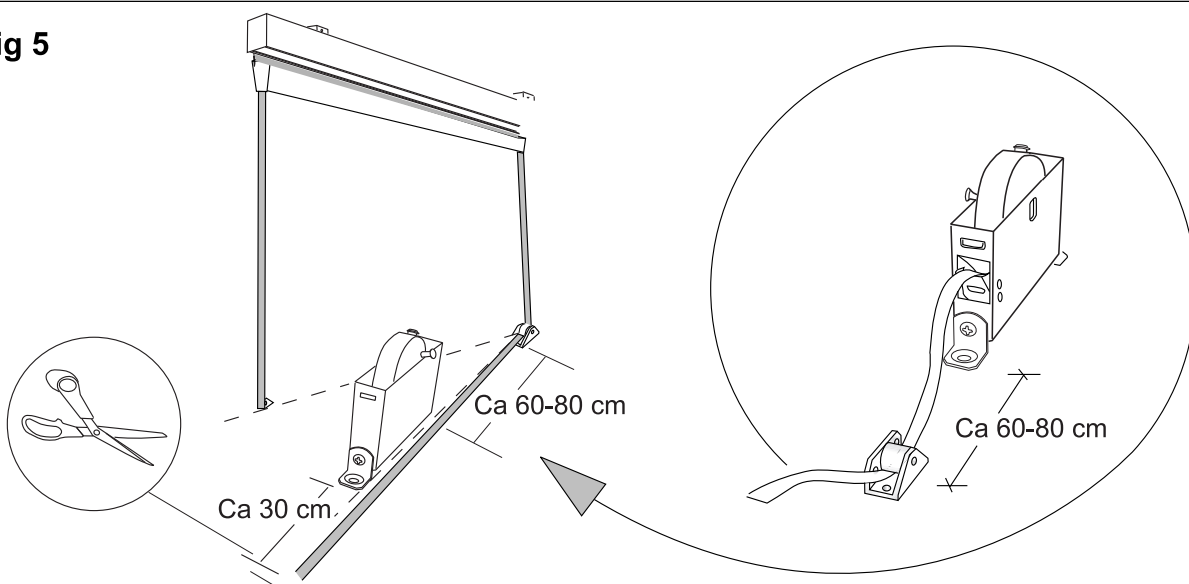
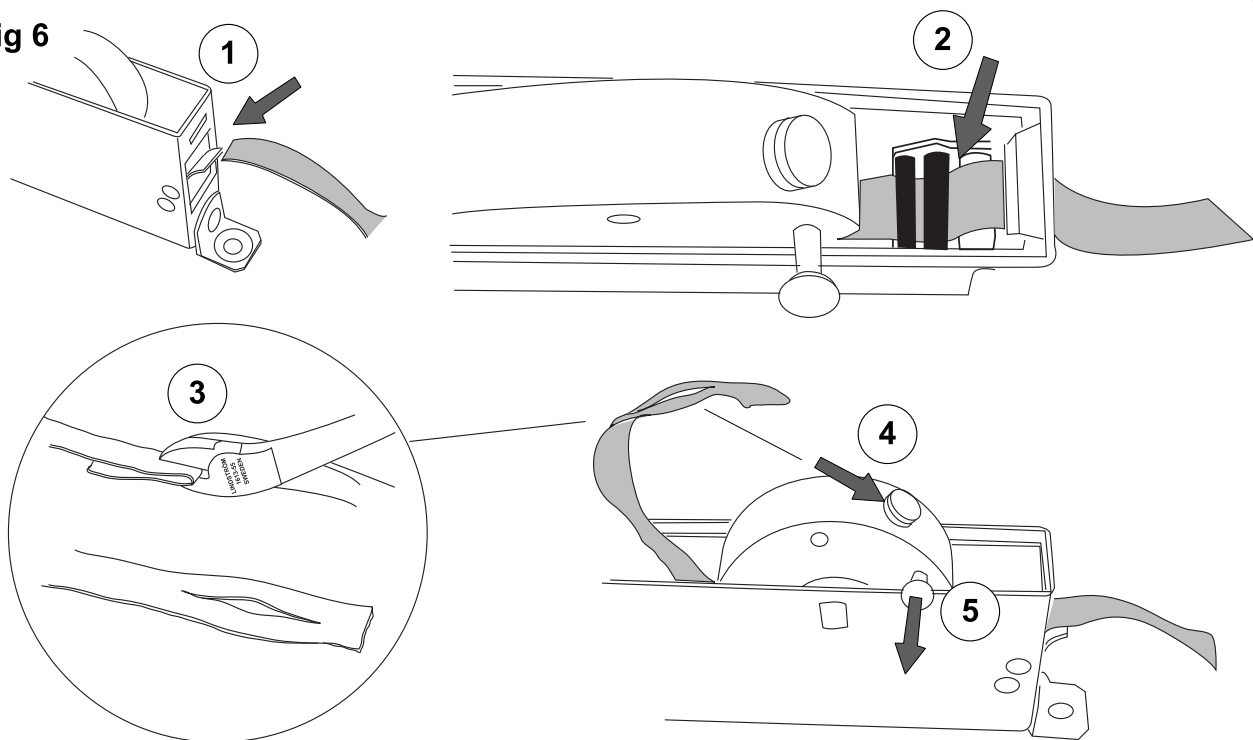


Fig 6



Roller spring-band