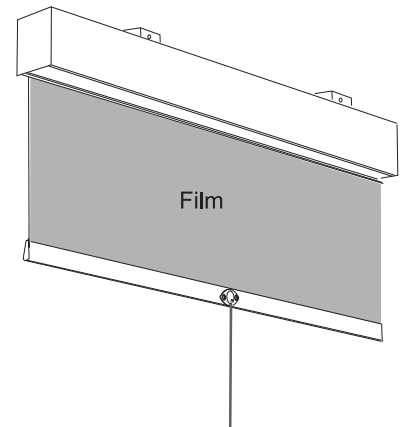


## Assembly instructions

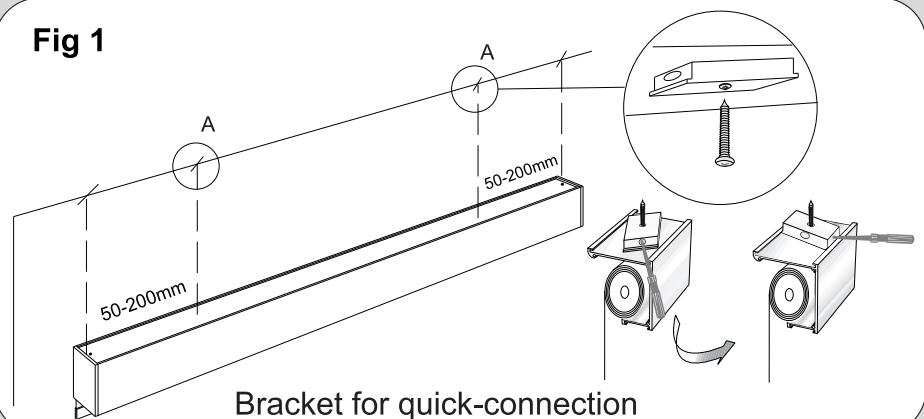
1. Fix the two pieces of mounting brackets. "quick connectors", at the top of the window frame. Fig 1
2. Fit the alum cassette to the mounting brackets, and put the string guide, the metal cleat and the acorn according to Fig 2.
3. Make a double knot on the string as in Fig 3 The knot must not pass through the string guide why it prevents the bottom rail to reach the cassette bottom.
4. The drawing below shows the system.



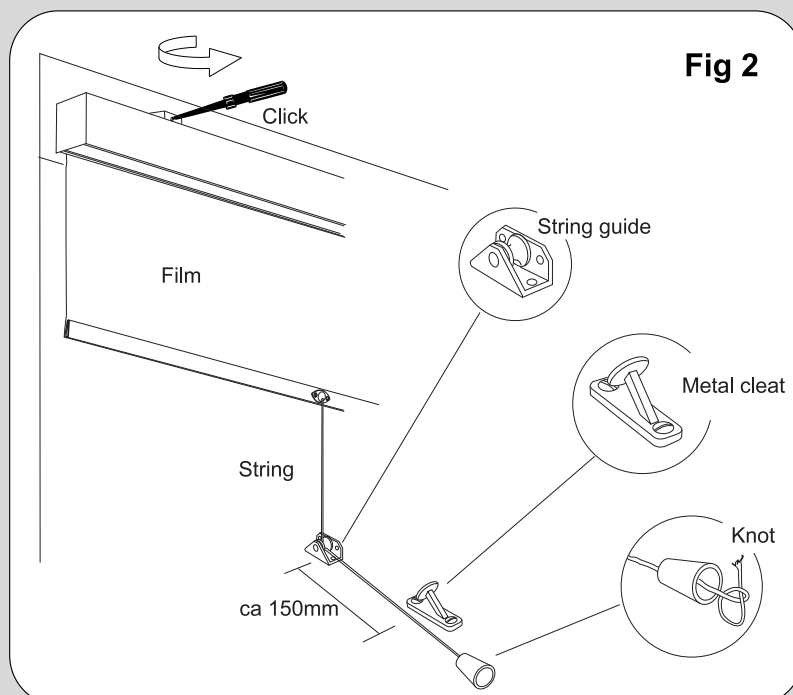
**Bergaflex 027**  
Roller spring cord  
Centre pull operating

Bergaflex AB Tel +46 42 16 52 00 Fax +46 42 16 51 50 E-post [bergaflex@swipnet.se](mailto:bergaflex@swipnet.se) [www.bergaflex.com](http://www.bergaflex.com)

**Fig 1**



**Fig 2**



**Fig 3**

