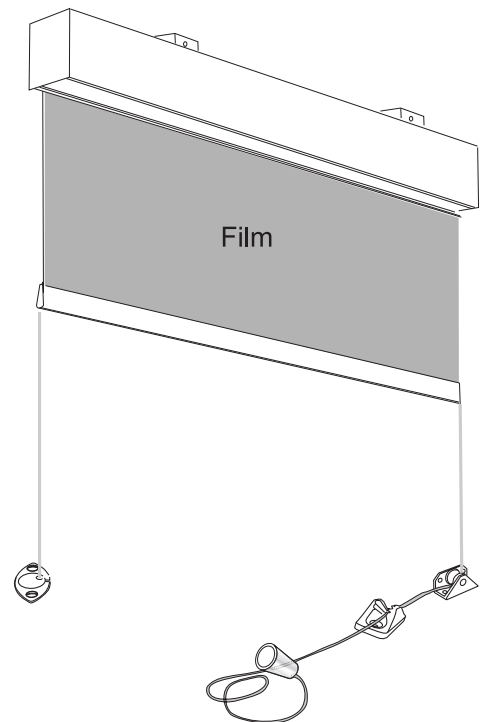


Assembly instructions

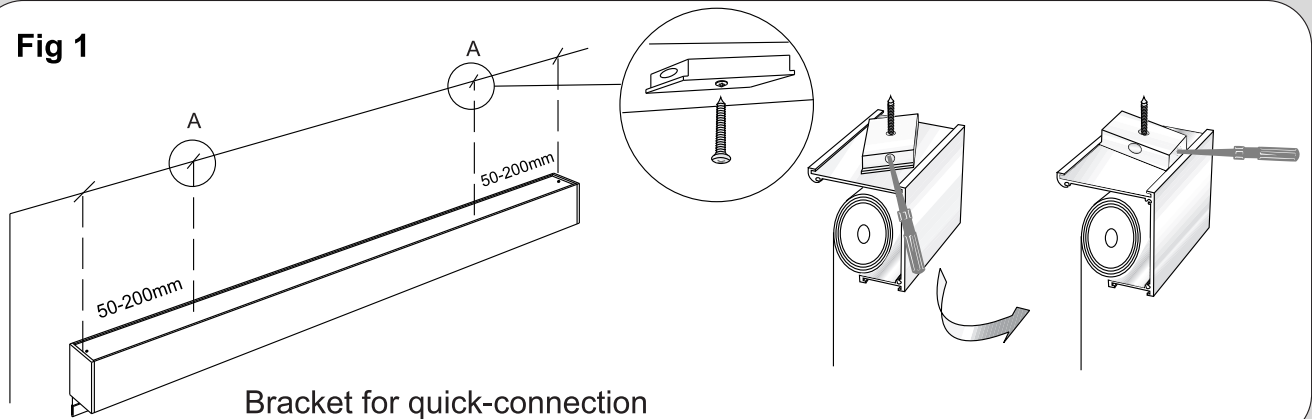
- Mark the position of the quick connectors and fix them re Fig. 1.
- Pass the cord through the bottom rail re Fig. 2 .
- Mount the cassette re Fig. 3.
- Pull down the film and mark the position of the cord fixing and the cord guide re Fig. 4. Fix these with screws.
- Fix the clam cleat in position re Fig. 5.
- Let the film roll up tight to the cassette
- put the acorn on the cord- catch the cord close to the guide re Fig. 6 ①- make a double knot in this position re Fig. 6 ②
- pull the acorn over the knot re Fig. 6 ③
- the acorn will touch the cord guide when the film is in upper position.



Bergaflex 027/069
Roller spring-cord

Bergaflex AB Tel +46 42 16 52 00 Fax +46 42 16 51 50 E-post bergaflex@swipnet.se www.bergaflex.com

Fig 1



Bracket for quick-connection

Fig 2

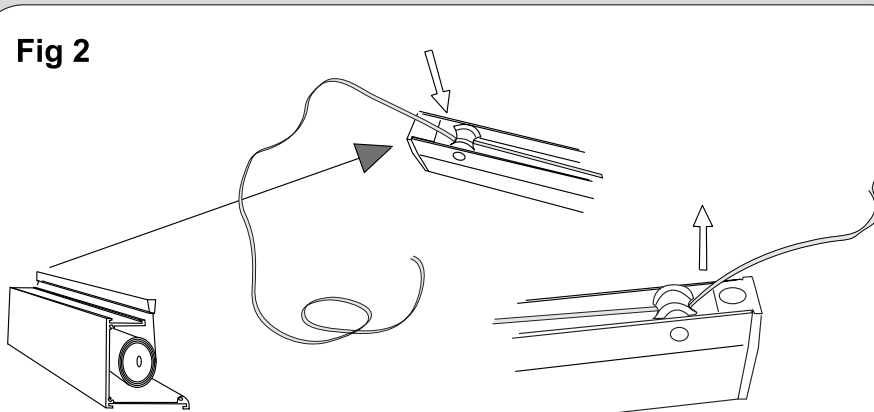


Fig 3

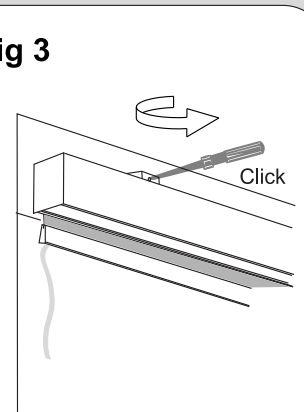


Fig 4

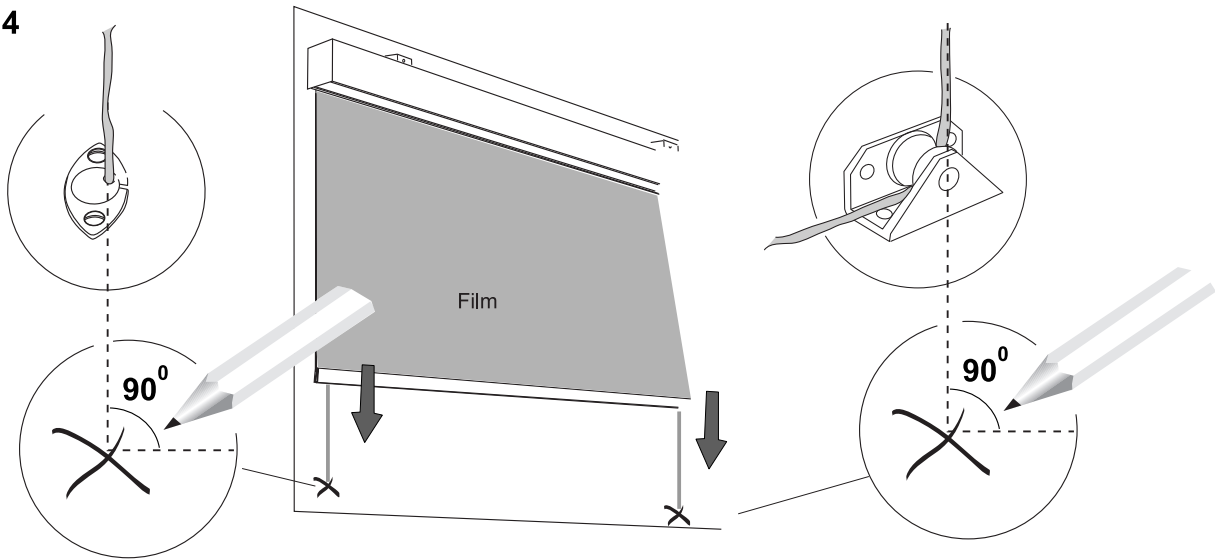


Fig 5

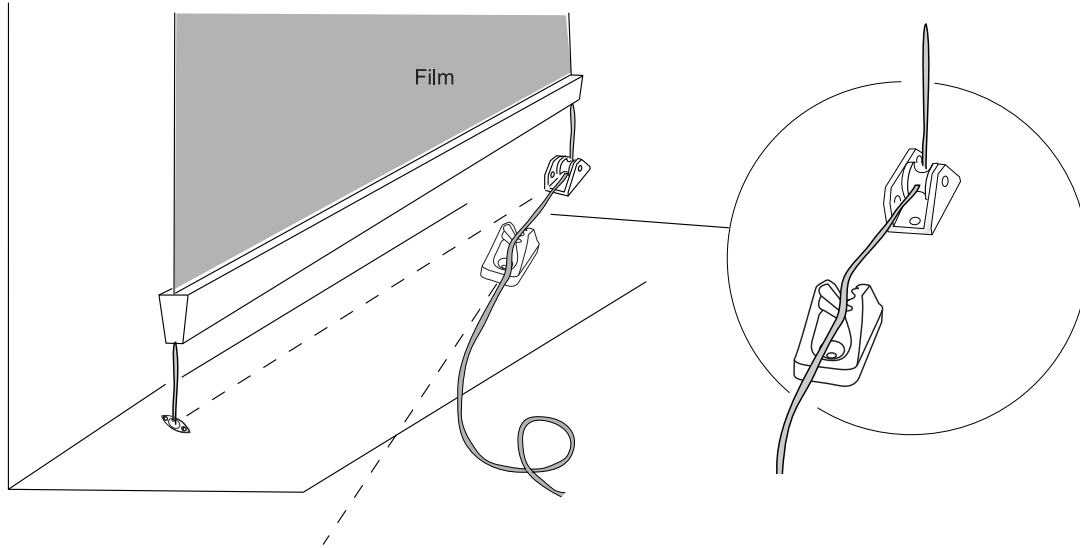
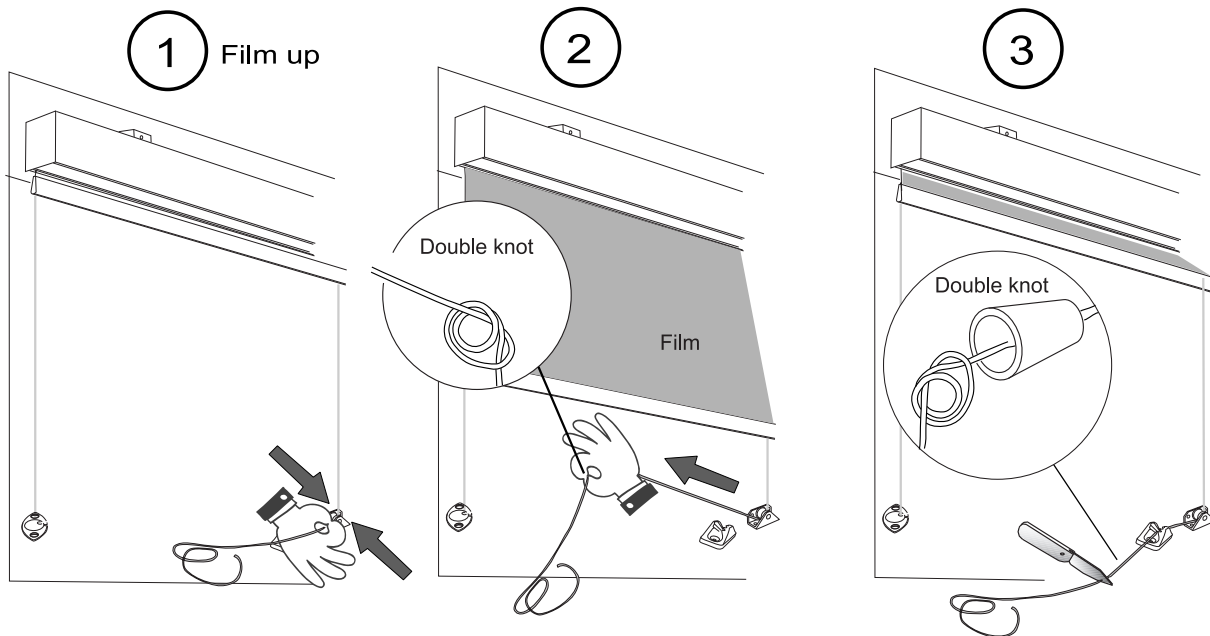


Fig 6



Roller spring-cord

Ripunkten 040-94 14 90 v4 01