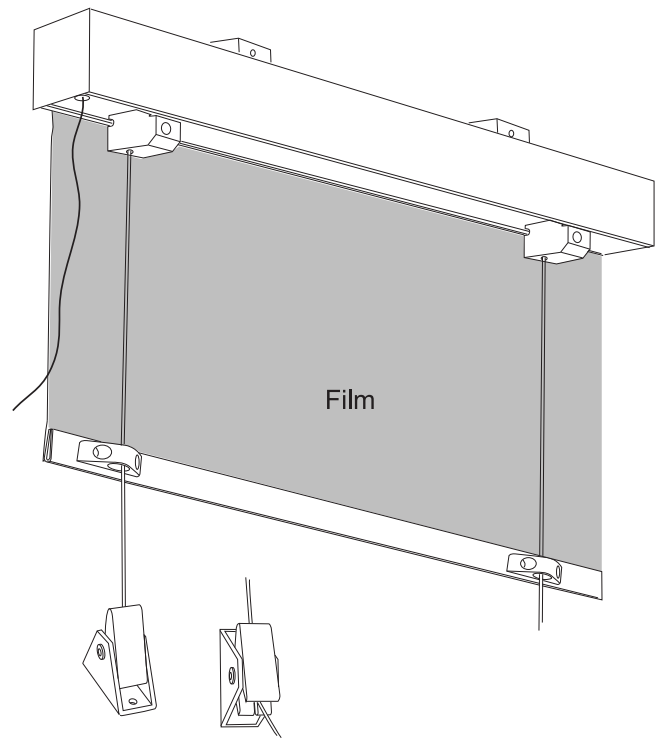


## Assembly instructions

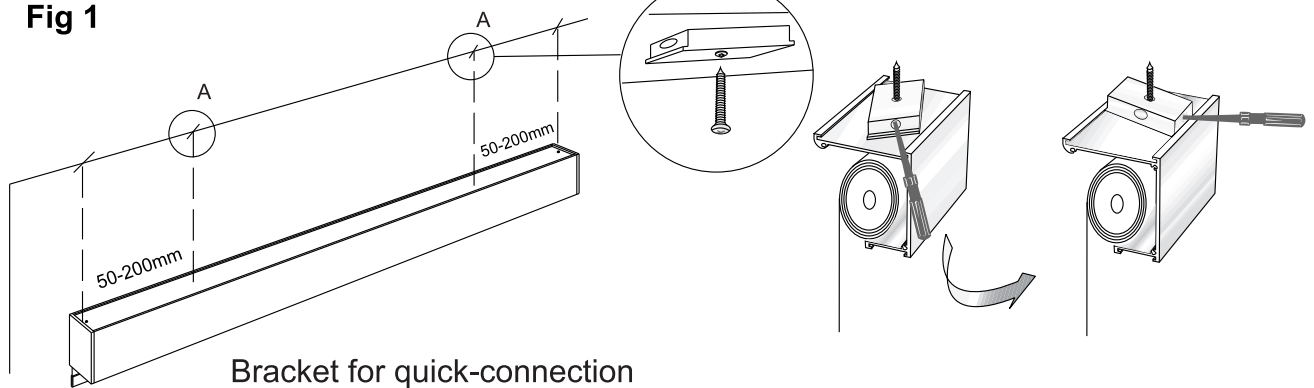
- Mark the position of the quick connectors re Fig. 1.
- Fix the connectors and mount the cassette re Fig. 2 ①
- Mount the holder for wire in the cassette re Fig. 2 ②
- Mount the wire lock in the bottom of the window re Fig. 3 ①
- Fix the nipple to the wire in position re Fig. 3 ②
- Cut the wire and fix it in the wire lock re Fig. 3 ③ & ④
- To fix the max height of the film: pull to the bottom-pull up to half of the window height-pull down to ca 5 mm from the wire lock re Fig. 4 ①②③ Fix the small metal-cleat to the string in position re Fig. 4 ③(the hand) and make a double knot around it Fig. 5 ④
- Put the bollard in a suitable position re Fig. 5 ⑤



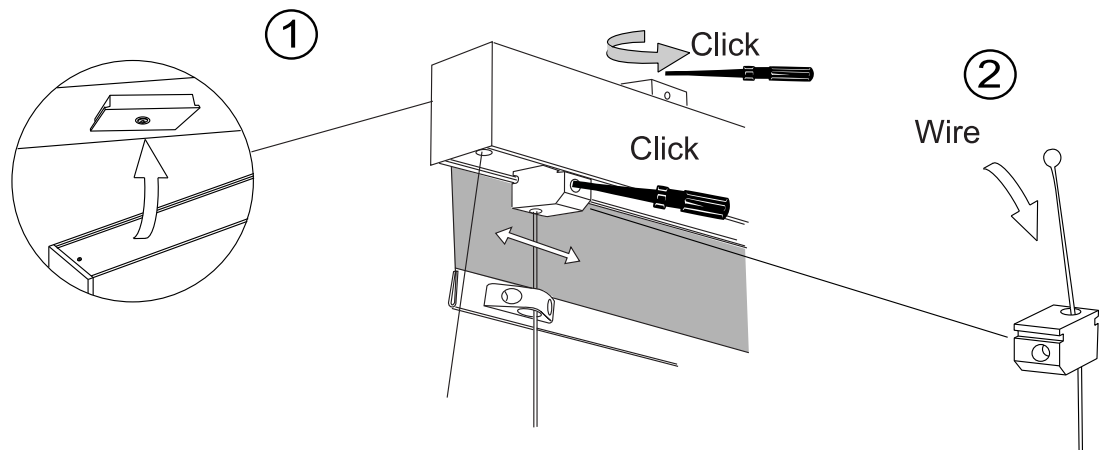
**Bergaflex 027/069**  
Cord reel-wire

Bergaflex AB Tel +46 42 16 52 00 Fax +46 42 16 51 50 E-post bergaflex@swipnet.se www.bergaflex.com

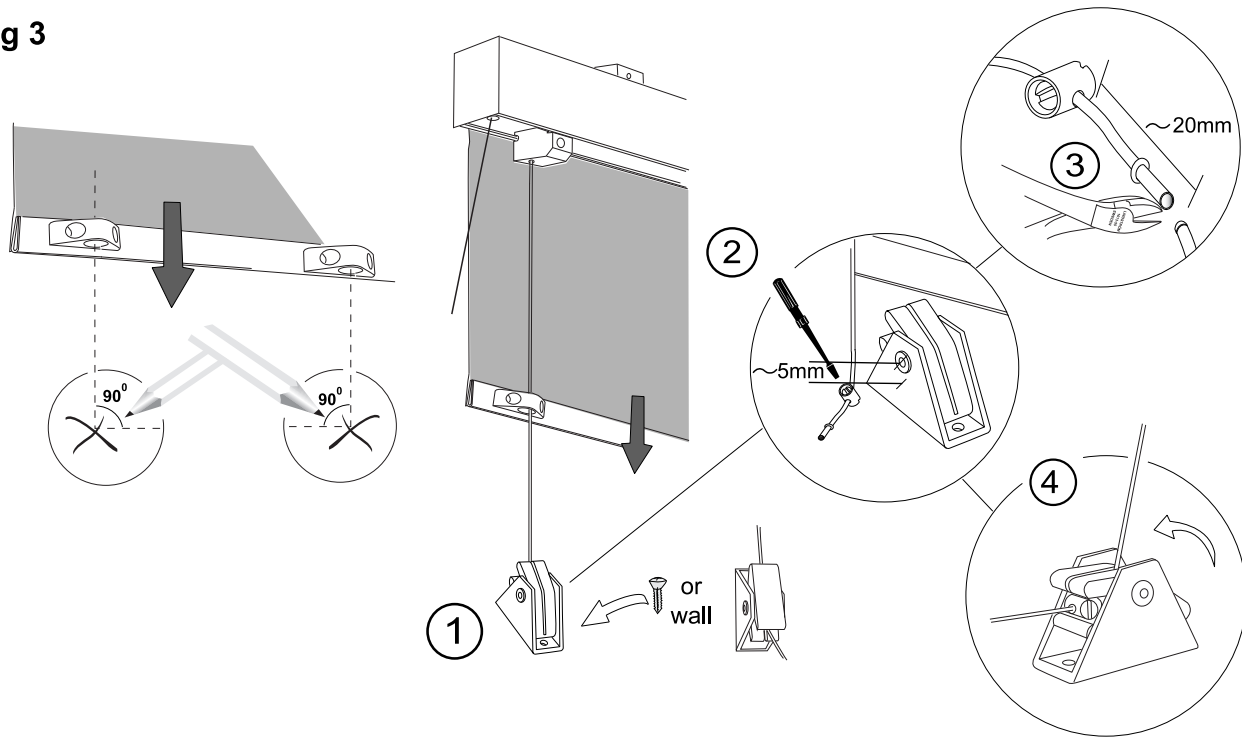
**Fig 1**



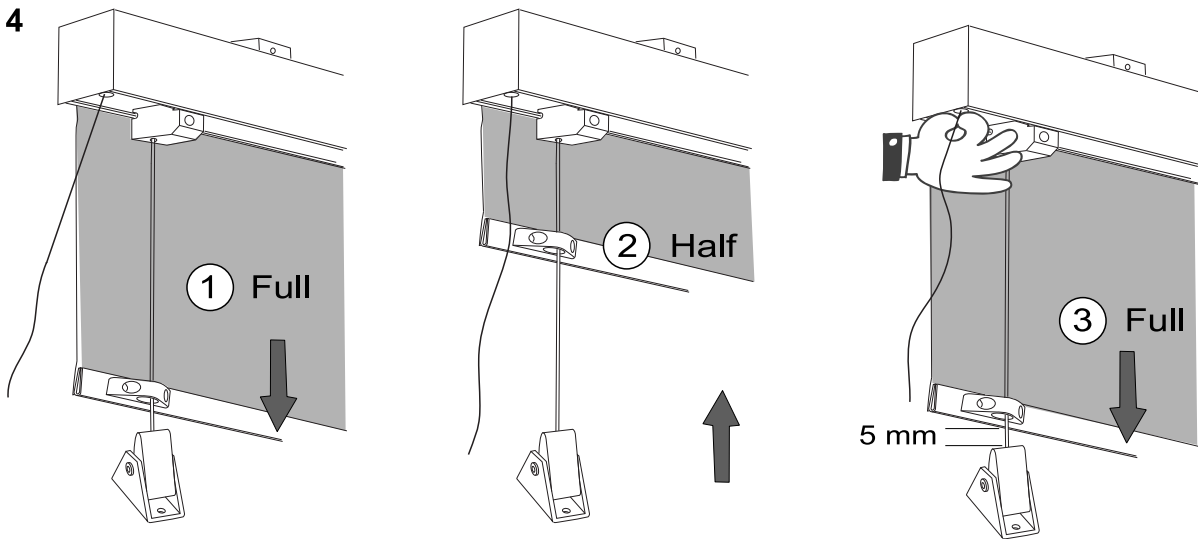
**Fig 2**



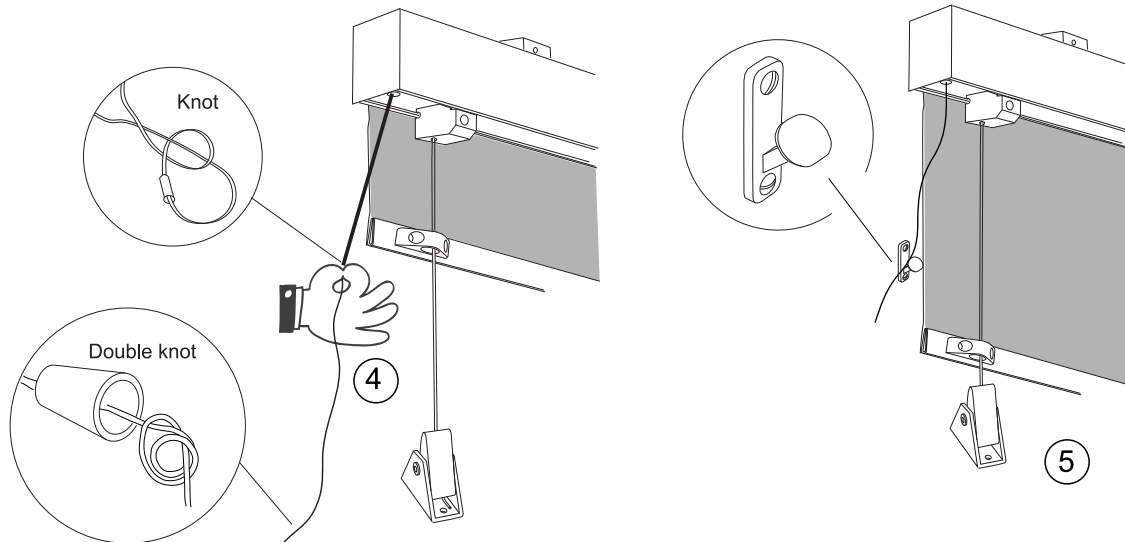
**Fig 3**



**Fig 4**



**Fig 5**



Cord reel-wire