



The SOMAS manual override, type M, is used for emergency operation, i.e. when loss of air supply. The manual override can also be used for additional torque to a valve which has got stacked.

The SOMAS manual override can be used when replacing a positioner to keep the valve in a required position.

General

Turn the hand wheel and press the wheel-halves towards the centre to make the unit active for hand operation.

For safety reasons: The unit can NOT be released when subject to spring force or force from compressed air. The unit has to be turned to unstressed position before neutral position can be reached.





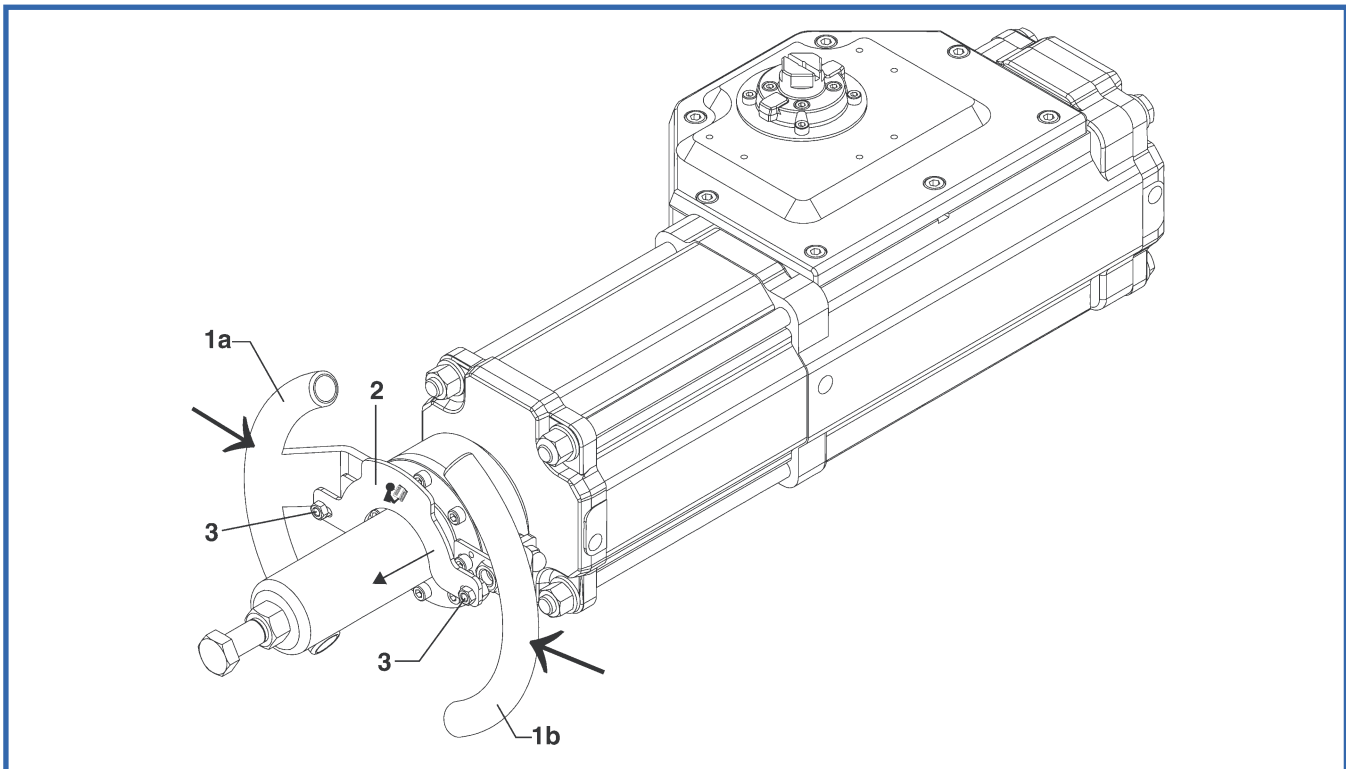
Connecting the hand wheel

1. Press at the same time the wheel-halves (1a and 1b) towards the centre line. The neutral position handle (2) will via the bolts (3) connect respectively wheel half (1a and 1b) to the holes if the wheel-halves are in the right position. If not, go to point 2 below.
2. Pull out the neutral position handle (2) and the wheel-halves will return to neutral position.
3. Turn the unit about a $\frac{1}{4}$ -turn and press once again the wheel-halves (1a and 1b) towards the centre line. The neutral position handle (2) will via the bolt (3) connect respectively wheel half to the holes. If necessary repeat once more to find the correct position.

When connected the valve can be opened or closed by rotating the wheel-halves.

Disconnecting the hand wheel

1. Turn the unit to an unstressed position. Torque for the rotary movement will be reduced when the force from the actuator is released.
2. Pull the neutral position handle (2) out from the unit. The wheel-halves (1a and 1b) will be released to neutral position. If it not works, the unit is not in the unstressed position. See point 3 below.
3. Turn the hand wheel in the direction that requires the less rotary torque and pull once again the neutral position handles out from the unit.
4. Make that the unit is no longer activated by turning the hand wheel some turns without affecting the actuator.



SOMAS reserve the right to make improvements without prior notice.



SOMAS®

Box 107, SE-661 23 SÄFFLE, SWEDEN

TEL: +46 533 167 00

FAX: +46 533 141 36

E-post: sales@somas.se

www.somas.se

Representative: