



Mounting instructions

Rebuilding kit locking device

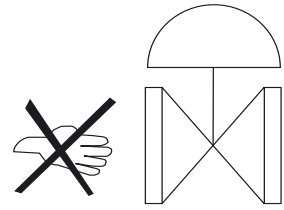
Mi-512 EN

Utgåva 2004-10

Safety Information

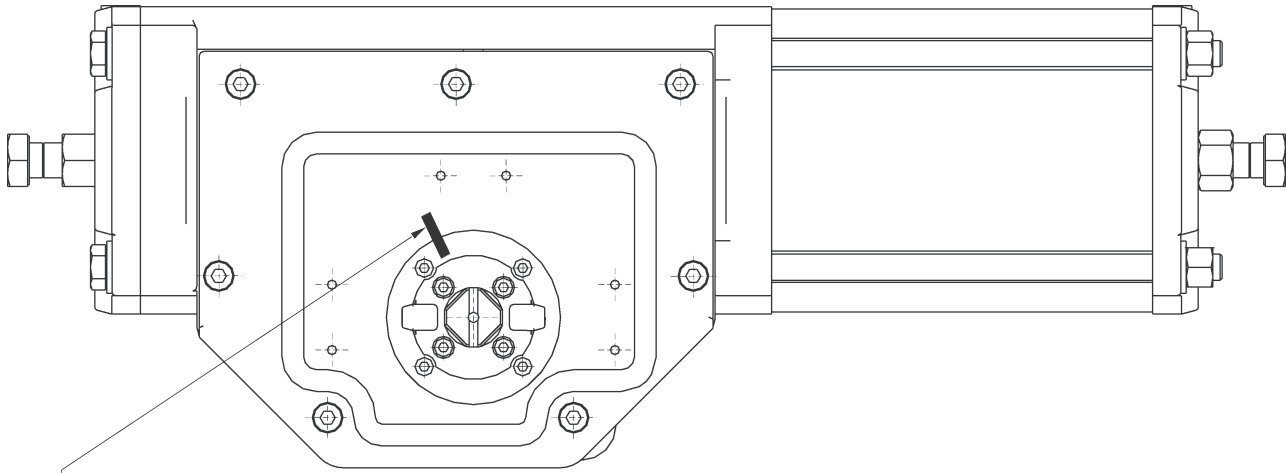
To avoid injury, disconnect the actuator from its power source before servicing the valve or actuator.

DO NOT place fingers, hands or arms either inside the valve or at the sealing surface when the power source is connected to the actuator.

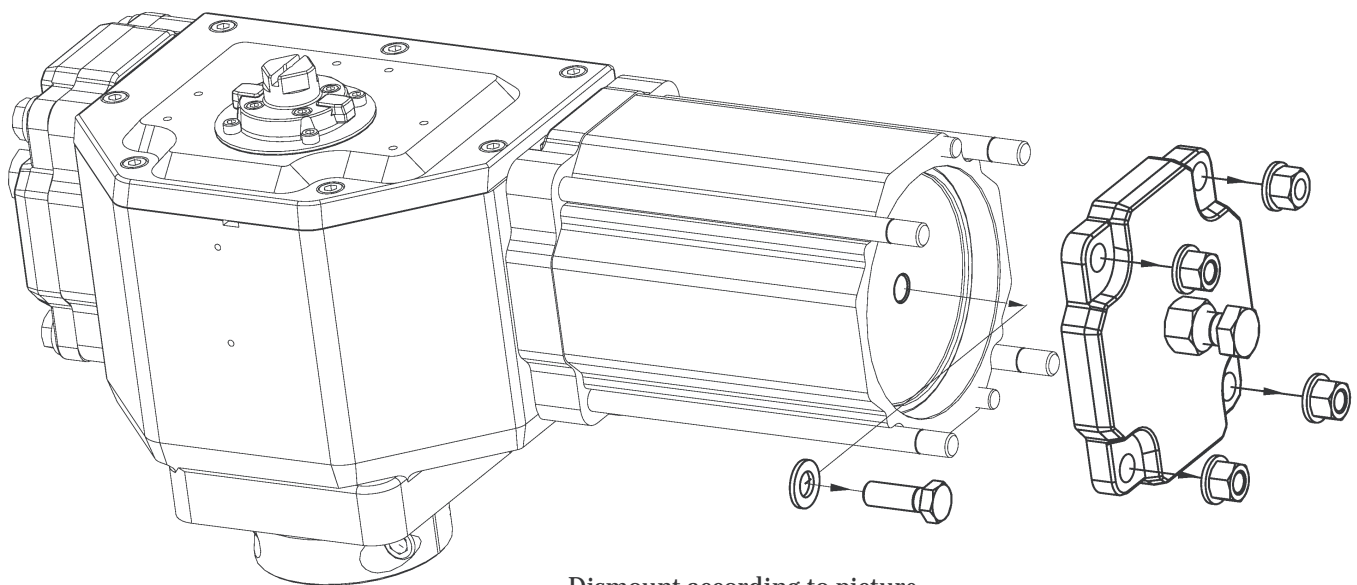


SOMAS actuators are designed to be the best in control and on/off applications. The type A pneumatic actuators are specifically made to fit the SOMAS range of valves. They can also be used with most 90° rotary valves. The A-DA actuator double-acting and the A-SC and A-SO actuators are single-acting spring return for fail safe operation. SOMAS offer a rebuilding kit to enable locking of the actuator in closed position for additional safety during operation and repair. The locking positions are easy to adjust.





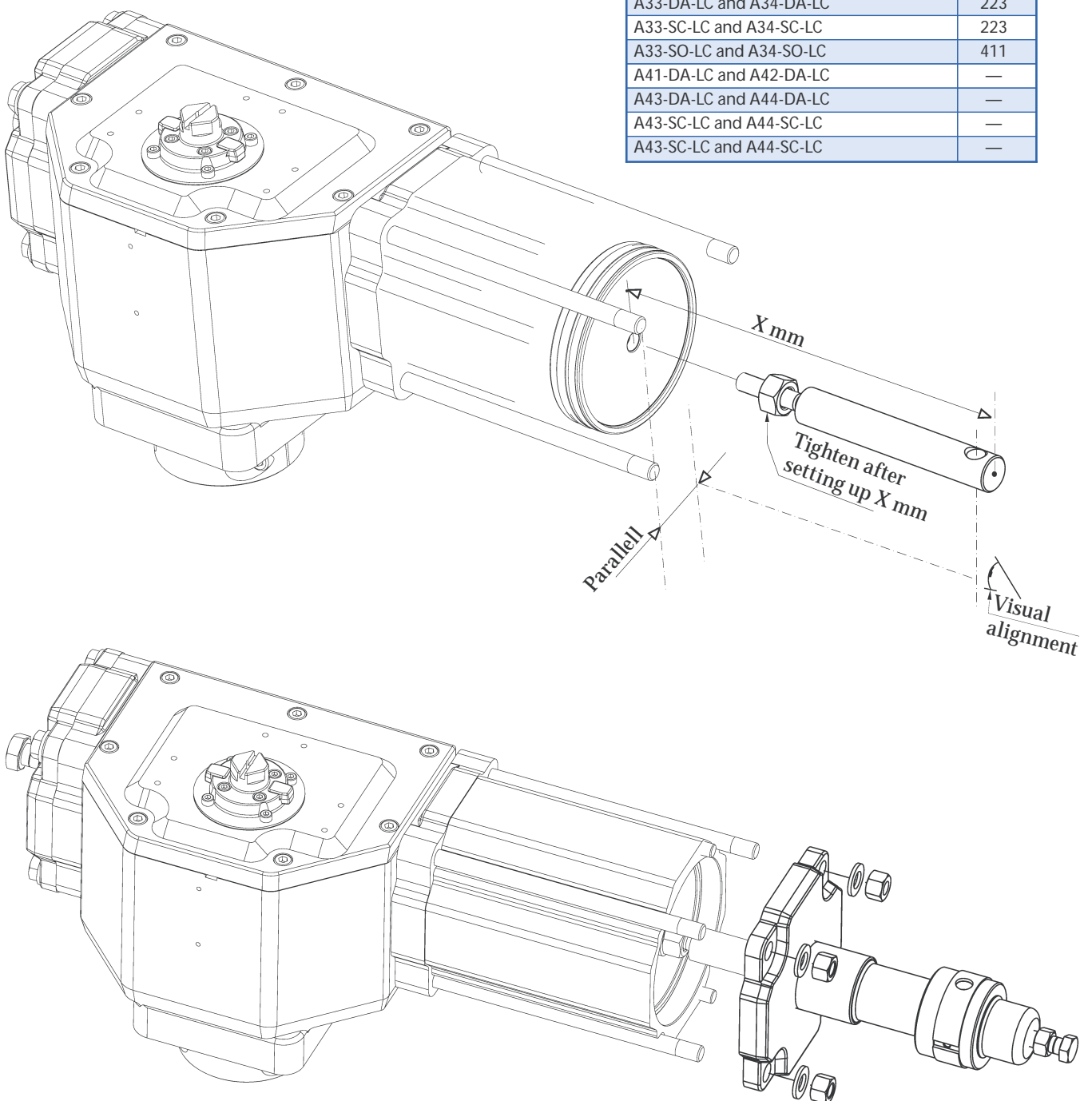
Before dismounting,
Make a marking position in closed position



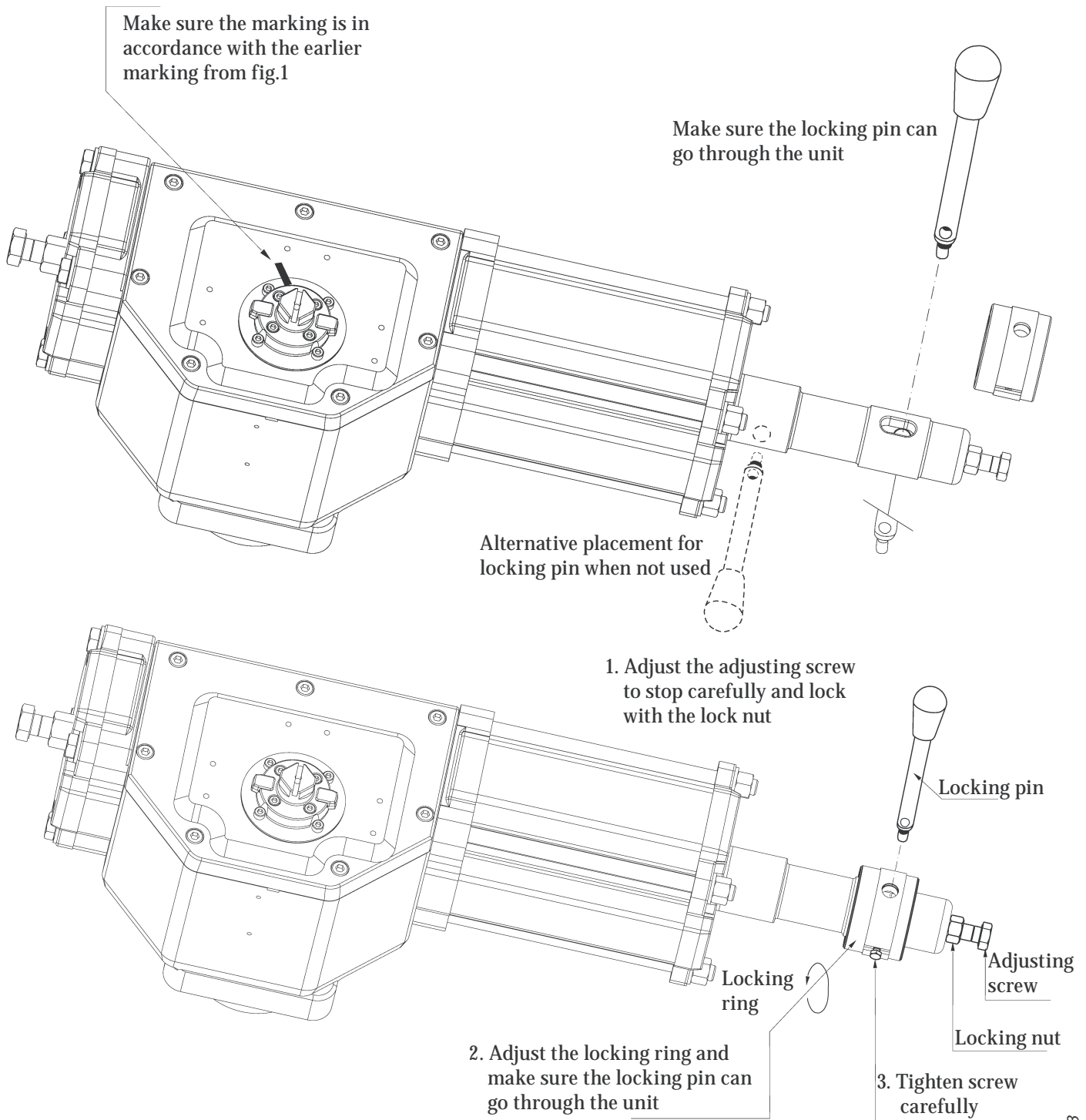
Dismount according to picture.



Actuator type	X mm
A11-DA-LC	148
A13-DA-LC	158
A13-SC-LC	148
A13-SO-LC	229
A21-DA-LC and A22-DA-LC	153
A23-DA-LC and A24-DA-LC	157
A23-SC-LC and A24-SC-LC	157
A23-SO-LC and A24-SO-LC	266
A31-DA-LC and A32-DA-LC	180
A33-DA-LC and A34-DA-LC	223
A33-SC-LC and A34-SC-LC	223
A33-SO-LC and A34-SO-LC	411
A41-DA-LC and A42-DA-LC	—
A43-DA-LC and A44-DA-LC	—
A43-SC-LC and A44-SC-LC	—
A43-SO-LC and A44-SO-LC	—



Mount unit according to picture



SOMAS reserves the right to make changes to these instructions and specifications without prior notice.

Art. No. 391 08



SOMAS®

P.O. Box 107, SE-661 23 SÄFFLE, SWEDEN
PHONE: +46 533 167 00
FAX: +46 533 141 36
E-mail: sales@somas.se
www.somas.se

Representative