

Edco Marine

Hydro Extractor



- SOLID CONSTRUCTION
- SUITABLE FOR INSTALLATIONS IN PLACES WHERE VIBRATIONS AND NOISE CAN BE A PROBLEM
- AUTO SAFETY LOCK
- HEAVY DUTY
- ST. STEEL
- PRE ADJUSTED PROGRAMS
- NOISE-LEVEL 70dB

Hydro extractor

C 46 ER has a strong, fixed marine construction of the motor and the drum. Can be constructed so a coin meter easily can be added.

C 46 ES has the same technical specifications but it has an elastic suspension of the motor and the drum. Therefore it is suitable for installations in places where vibrations and noise can be a problem.

Solid construction

These extractors are designed for continuous use, the motor suspension uses a sturdy steel construction with a special rubber cushions.

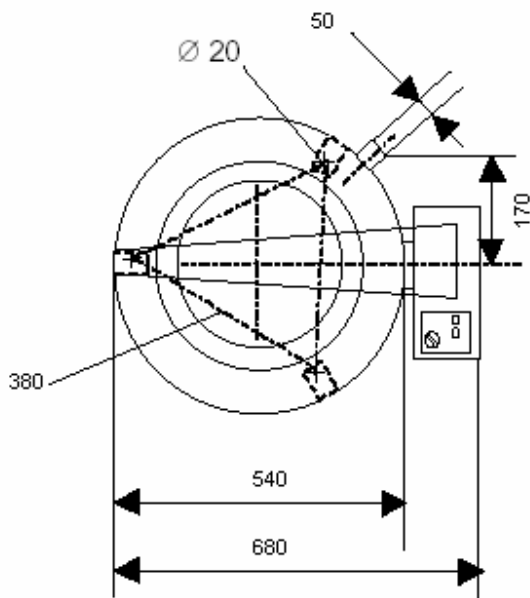
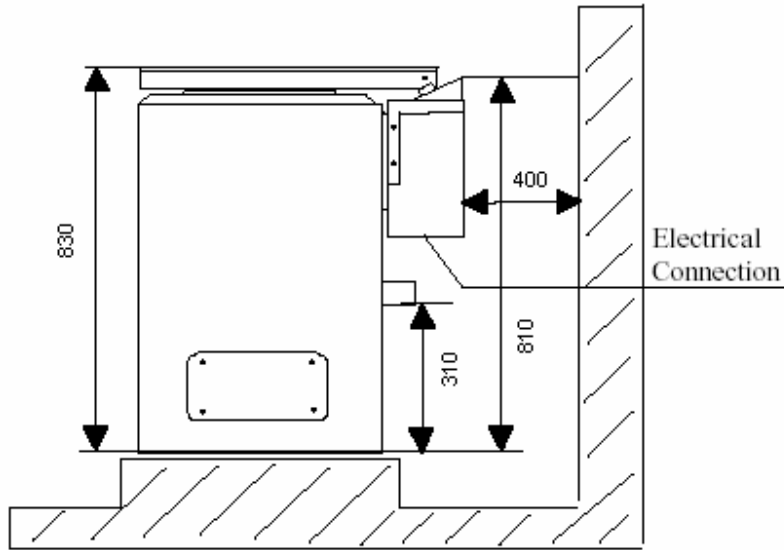
The drum, lid and outer castings are all in stainless steel. These extractors have been sold and used during many years. The extractor operates at a very low noise level.

A/S Edco Marine
Vik Torg,
N-3530 Roysø
Norway
P: +47 23 05 45 95
F: +47 23 05 45 96
E: edco@edco.no W: www.edco.no

Branch Office:
Unit 31, Lynedoch Industrial Estate,
Dellingburn Street
Greenock, U.K., PA15 4AX
P: +44 (0) 1475 726900
F: +44 (0) 1475 713400
E: sales@edcouk.co.uk

HYDRO EXTRACTOR

C 46 ER



Specification

Model	Capacity	Cyl. Vol.	Cyl. Depth	Cyl. Diam.	Spin 50Hz/60Hz	G-force 50Hz/60Hz	Motor start current	Motor operation current	Power
C 46 ER	18lbs 8kg	1,34 cu ft 38L	12,6 inch 320mm	15 inch 380mm	1400rpm/1740rpm	416G's/643G's	5 A	0,8 A	440- 60-3 0,4kW