

# Edco Marine

## Hydro Extractor



- SOLID CONSTRUCTION
- AUTO SAFETY LOCK
- HEAVY DUTY
- ST. STEEL
- PRE ADJUSTED PROGRAMS
- NOISE-LEVEL 70dB

### Hydro extractor

C 66 ER has a strong, fixed marine construction of the motor and the drum. Can be constructed so a coin meter easily can be added.

### Solid construction

These extractors are designed for continuous use, the motor suspension uses a sturdy steel construction with a special rubber cushions.

The drum, lid and outer castings are all in stainless steel. These extractors have been sold and used during many years. The extractor operates at a very low noise level.

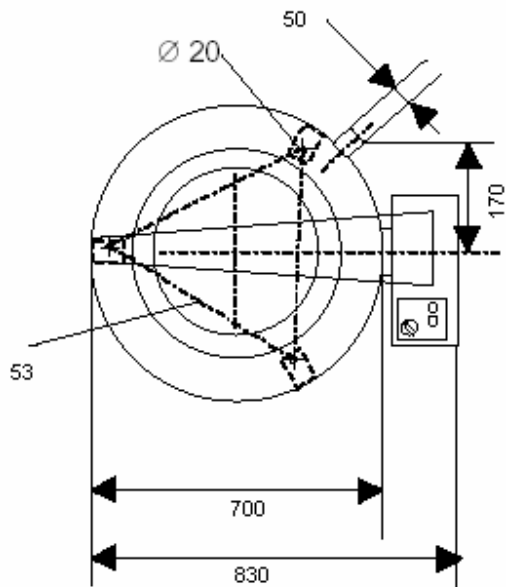
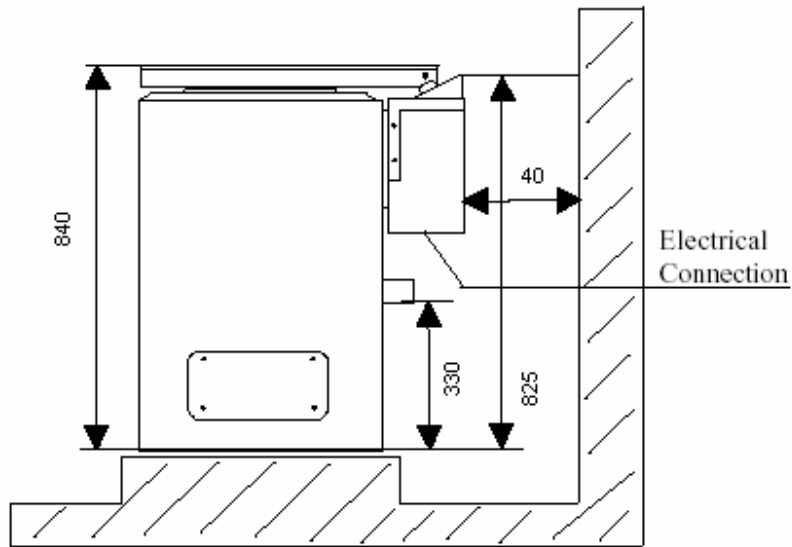
---

A/S Edco Marine  
Vik Torg,  
N-3530 Roysø  
Norway  
P: +47 23 05 45 95  
F: +47 23 05 45 96  
E: [edco@edco.no](mailto:edco@edco.no) W: [www.edco.no](http://www.edco.no)

Branch Office:  
Unit 31, Lynedoch Industrial Estate,  
Dellingburn Street  
Greenock, UK, PA15 4AX  
P: +44 (0) 1475 726900  
F: +44 (0) 1475 713400  
E: [sales@edcoulk.co.uk](mailto:sales@edcoulk.co.uk)

# HYDRO EXTRACTOR

C 66 ER



## Specification

Model	Capacity	Cyl. Vol.	Cyl. Depth	Cyl. Diam.	Spin 50Hz/60Hz	G-force 50Hz/60Hz	Motor start current	Motor operation current	Power
C 66 ER	26lbs 12kg	2,12 cu ft 60L	10,6 inch 270mm	21 inch 530mm	1450rpm/1740rpm	622G's/896G's	5 A	0,8 A	440- 60-3 0,4kW