

# Edco Marine

## Ironing Machine



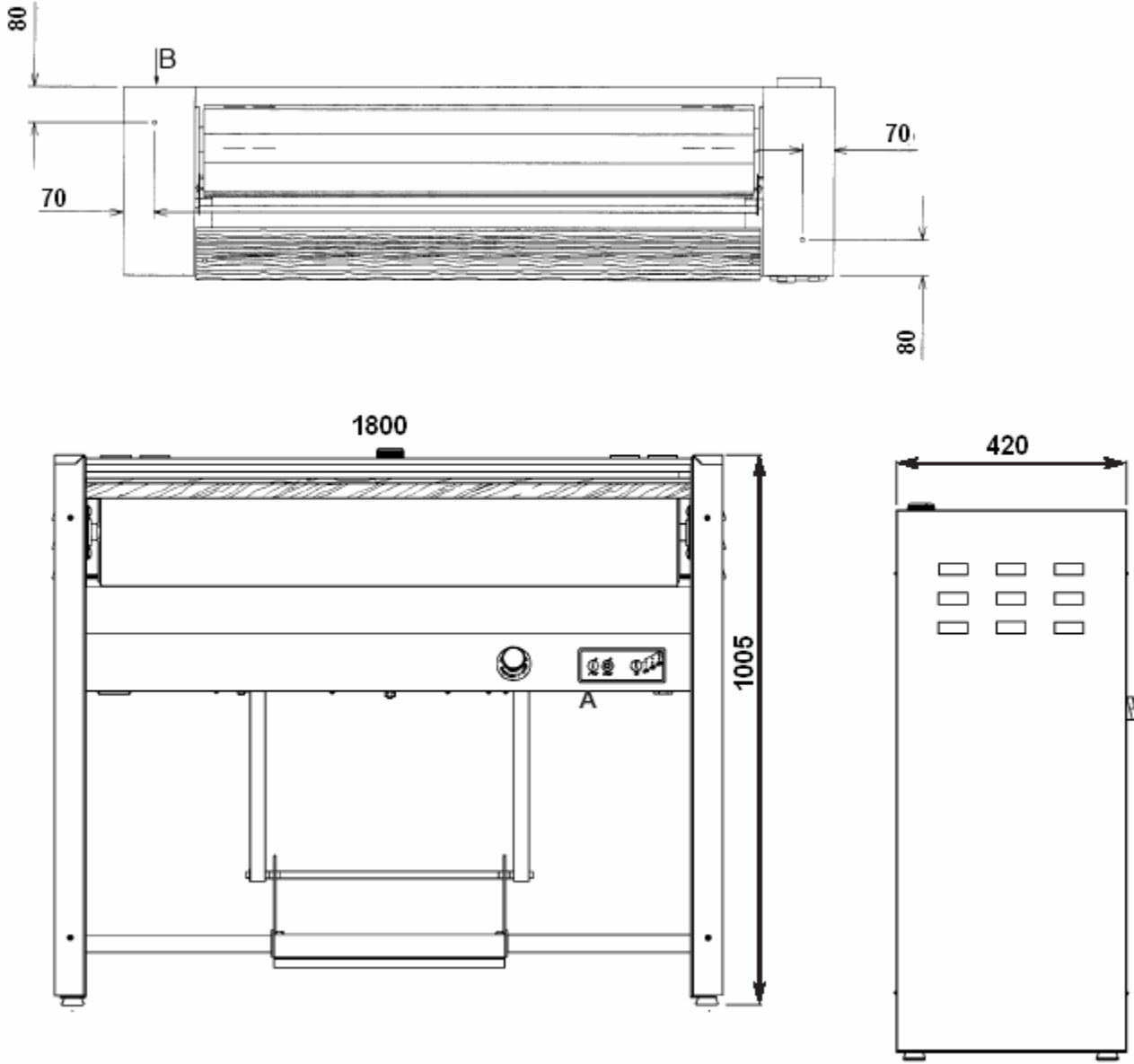
- Plastic-coated sheet metal structure that resists to high temperature and corrosion.
- Specially-processed aluminium basin that ensures long life and energy saving.
- Optimized introduction profile, for faster and easier laundry introduction.
- Roller supported by bearings and wrapped in a strong cover.
- Monofrontal use: the ironer can be installed against a wall.
- Wood inlet board that facilitates laundry introduction.
- Safety rod for finger safety that protects the user against false moves by inverting the roller rotating direction.
- Wide pedal for basin operation.
- Electronic and electromechanical safety thermostat against undesired overheating.
- Emergency push button.
- Thermal protection on motor reduction gear.
- Electronic control panel that affords excellent temperature stability.
- Thick thermal insulation that prevents heat dispersion and energy waste.
- Selection of ironing temperature through a push button with three settings following international symbols.
- Safety device that prevents machines switch-off when the press basin is hot and down against the roller.
- Accessible electrical board for easy maintenance.
- The machine can be plugged into three-phase or single-phase, 50 or 60 Hz, power mains by simply changing the connection of the fireproof power cord (3x2,5mm<sup>2</sup>+N+T): no need to alter any connection inside the machine.
- 4 adjustable legs for perfect machine leveling.

A/S Edco Marine  
Vik Torg,  
N-3530 Roysø  
Norway  
P: +47 23 05 45 95  
F: +47 23 05 45 96  
E: [edco@edco.no](mailto:edco@edco.no) W: [www.edco.no](http://www.edco.no)

Branch Office:  
Unit 31, Lynedoch Industrial Estate,  
Dellingburn Street  
Greenock, UK, PA15 4AX  
P: +44 (0) 1475 726900  
F: +44 (0) 1475 713400  
E: [sales@edcoulk.co.uk](mailto:sales@edcoulk.co.uk)

# IRONING MACHINE

S140/25



A. Electric cord entry

Model	Dimensions WxDxH	Heating Power	Motor rated input	Electric Supply	Weight	
					Net	Gross
S140/25	1800x420x1005	7000W	180W	230V-3-60 400V-3-60	126	145