

Edco Marine

Washing machine



- STAINLESS STEEL
- FRONTAL LOADING
- EMERGENCY BUTTON IN THE FRONT
- 10 STANDARD WASHING PROGRAMS + 40 FREELY PROGRAMMABLE PROGRAMS

Micro-20 Microprocessor

10 standard programs, preprogrammed at Edco. Possibility to add on programs up to 100 programs. In combination with the frequency controlled motor and the soap pumps (option), it is possible to programme the following parameters:

- Cycle time (Prewash, mainwash, rinse, spin, tumble...)
- Speed, action and stop time of the drum.
- Water level is programmable per cm.
- Control of 2 drain valves (second valve in option) with possibility to recycle rinse water.
- Possibility to hook up to 6 pumps controlled by Micro-20
- Cooldown, soak and time stops

Programmable Microprocessor PS40

Possibility to compose 40 programs + 10 standard, reprogrammed at Edco. Programs immediately programmable on the machine or with the computer.

Programs transmissible from computer to machine and the other way around with a infra-red cable connection.

In combination with the frequency controlled motor and the soap pumps (option), it is possible to programme the following parameters:

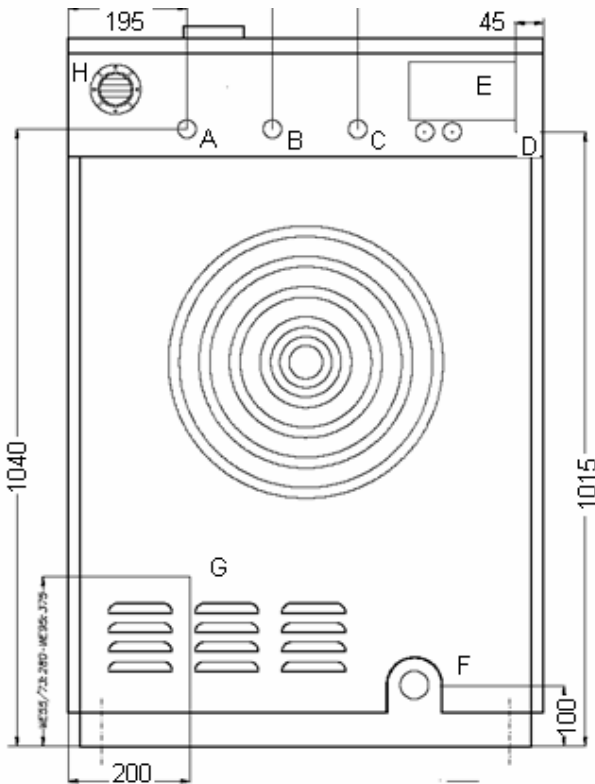
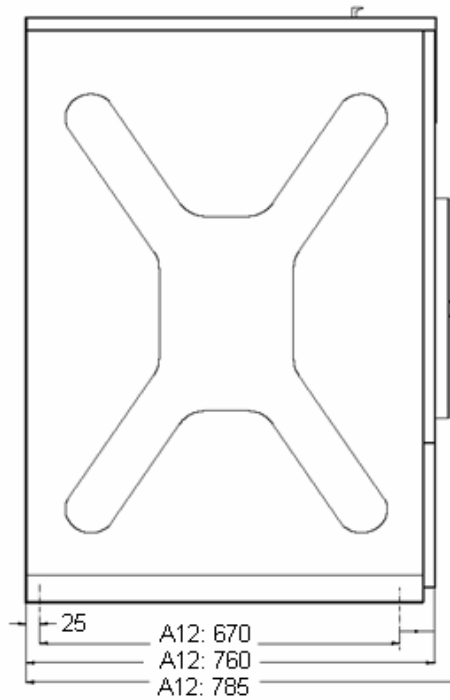
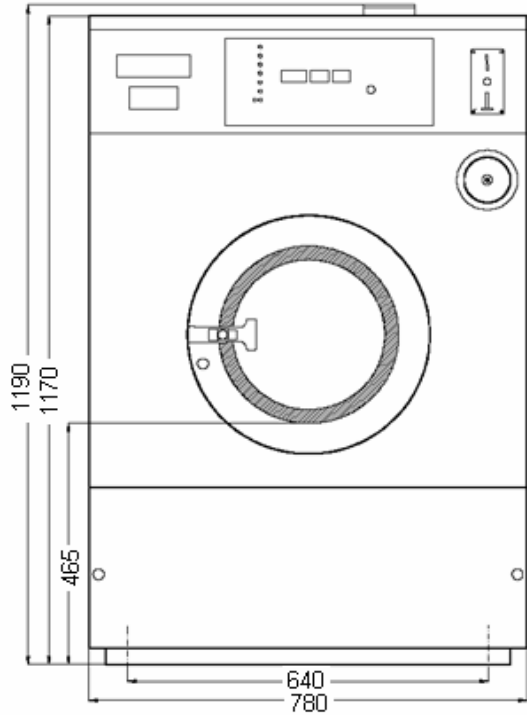
- Rotation and stop speeds programmable from 0,1 till 60s.
- Connection up to 12 pumps controlled by PS40

A/S Edco Marine
Vik Torg,
N-3530 Roysø
Norway
P: +47 23 05 45 95
F: +47 23 05 45 96
E: edco@edco.no W: www.edco.no

Branch Office:
Unit 31, Lynedoch Industrial Estate,
Dellingburn Street
Greenock, UK, PA15 4AX
P: +44 (0) 1475 726900
F: +44 (0) 1475 713400
E: sales@edcouk.co.uk

WASHING MACHINE

A-12



- A. Soft water connection 3/4"
- B. Warm water connection 3/4"
- C. Hard water connection 3/4"
- D. Electrical connection
- E. Electrical connection clamps
- F. Drain valve
- G. Steam connection 3/8"
- H. Ventilation

Specification

Model	WxDxH	Electrical heating	Voltage	Capacity	Fuses A	Weight kgs		Shipping volume m³
						Net	Gross	
A-12	780x760x1170mm	12kW	220-3ph	X	X	235	290	x