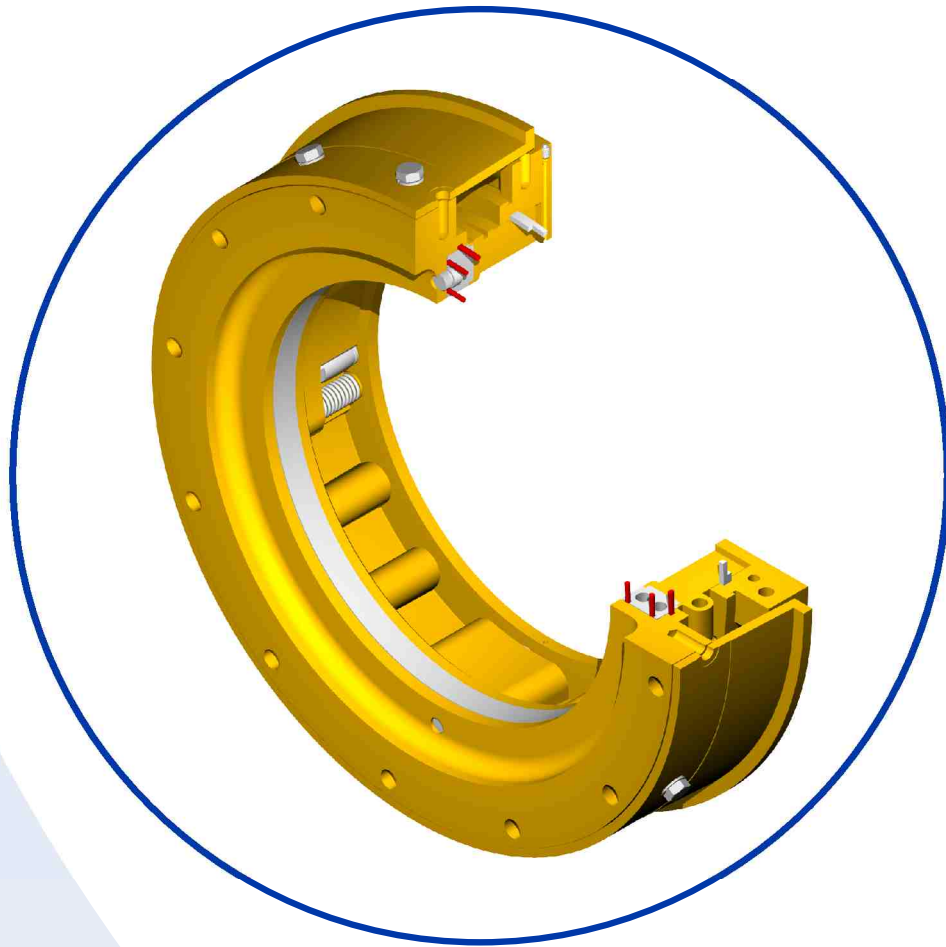


Cedervall aft split oil lubricated stern-tube seal type KR-712/262SN

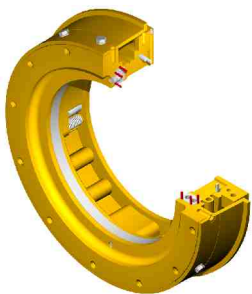


The Cedervall split type KR seal enables complete dismounting and/or mounting without shaft or propeller removal. It is equipped with a “free-floating” alignment ring, which is made of cast iron. The type shown in this leaflet is equipped with an inner ropeguard (optional), it protects the seal from foreign objects such as fishing lines, ropes, wires etc. which can become entangled in the propeller.

The type KR complies with the requirements of the classification societies permitting shaft removal at intervals of up to 15 years.

The type KR is made in fully split execution, except the alignment ring housing mounted on the propeller. This housing is only made split in case the complete seal is to be mounted without shaft withdrawal, for example when retrofitting from another kind of seal.

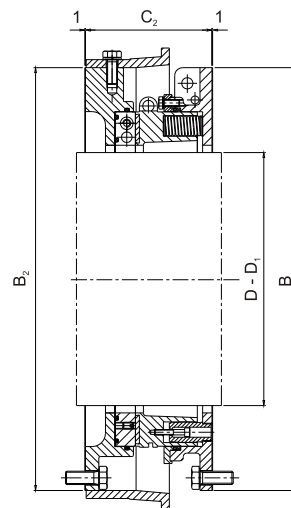
For technical specification, see back-cover of this leaflet.



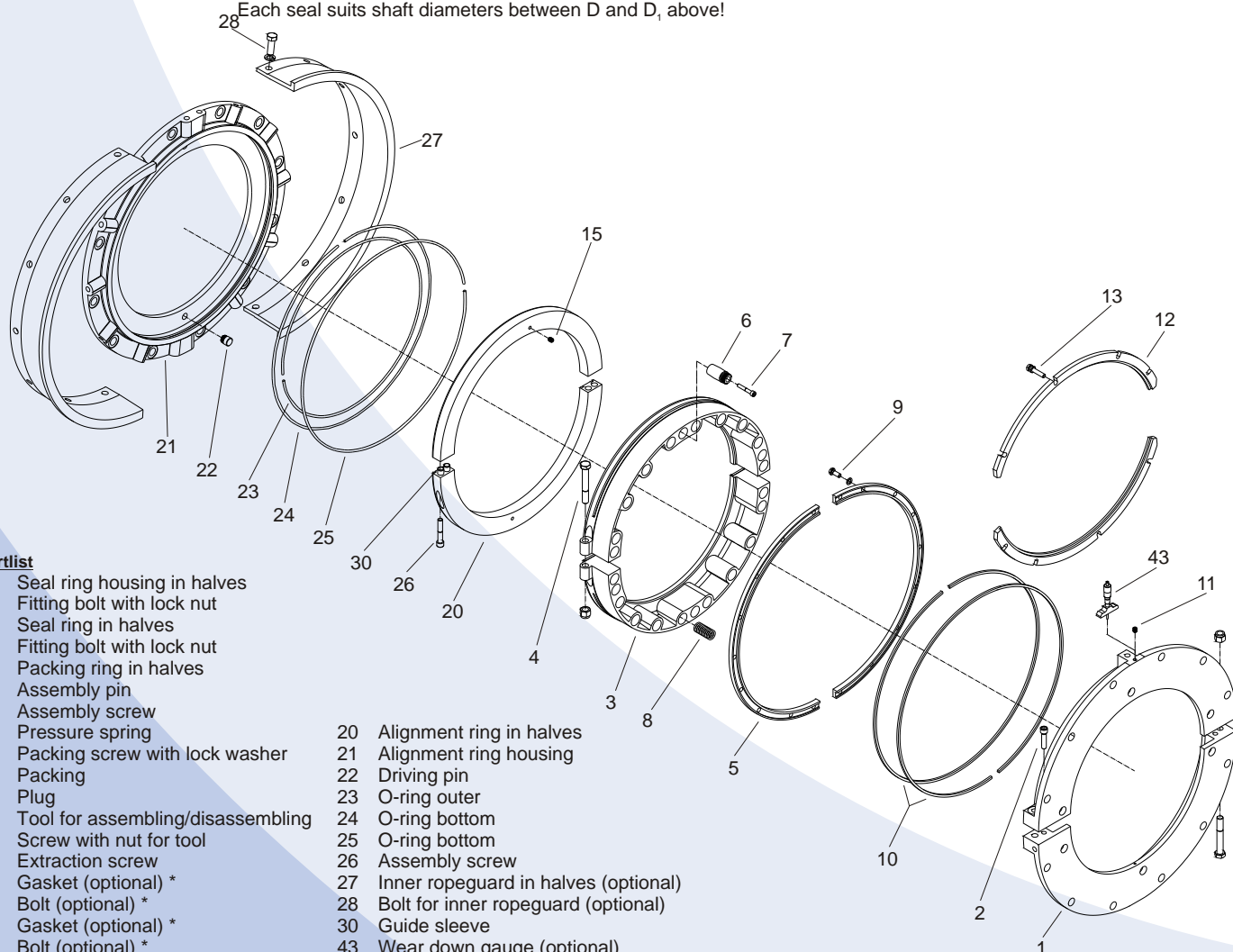
Cedervall aft split oil lubricated stern-tube seal type KR-712/262SN

All dimensions in mm.

Size	D	D ₁	B, B ₂	C ₂	Size	D	D ₁	B, B ₂	C ₂	Size	D	D ₁	B, B ₂	C ₂
1	98	112	250	140	16	378	396	640	185	31	669	687	935	195
2	113	127	265	140	17	397	415	655	185	32	688	706	955	195
3	128	142	300	155	18	416	432	675	185	33	707	734	1010	255
4	143	161	319	155	19	433	451	695	185	34	735	764	1060	255
5	162	185	343	155	20	452	470	715	190	35	765	794	1090	255
6	186	204	362	155	21	471	491	735	190	36	795	824	1120	255
7	205	228	442	170	22	492	510	755	190	37	825	854	1150	255
8	229	246	460	170	23	511	535	780	190	38	855	884	1180	255
9	247	264	478	170	24	536	554	800	190	39	885	914	1210	255
10	265	283	510	170	25	555	573	820	190	40	915	944	1240	255
11	284	302	530	170	26	574	592	840	195	41	945	974	1270	255
12	303	321	565	185	27	593	611	860	195	42	975	1004	1300	255
13	322	339	580	185	28	612	630	875	195	43	1005	1034	1330	255
14	340	358	600	185	29	631	649	895	195	44	1035	1064	1360	255
15	359	377	620	185	30	650	668	915	195					



Each seal suits shaft diameters between D and D₁ above!



Partlist

- 1 Seal ring housing in halves
- 2 Fitting bolt with lock nut
- 3 Seal ring in halves
- 4 Fitting bolt with lock nut
- 5 Packing ring in halves
- 6 Assembly pin
- 7 Assembly screw
- 8 Pressure spring
- 9 Packing screw with lock washer
- 10 Packing
- 11 Plug
- 12 Tool for assembling/disassembling
- 13 Screw with nut for tool
- 15 Extraction screw
- 16 Gasket (optional) *
- 17 Bolt (optional) *
- 18 Gasket (optional) *
- 19 Bolt (optional) *
- 20 Alignment ring in halves
- 21 Alignment ring housing
- 22 Driving pin
- 23 O-ring outer
- 24 O-ring bottom
- 25 O-ring bottom
- 26 Assembly screw
- 27 Inner ropeguard in halves (optional)
- 28 Bolt for inner ropeguard (optional)
- 30 Guide sleeve
- 43 Wear down gauge (optional)

Items marked * is not shown in this exploded view.

We reserve the right to change dimensions without prior notice.

