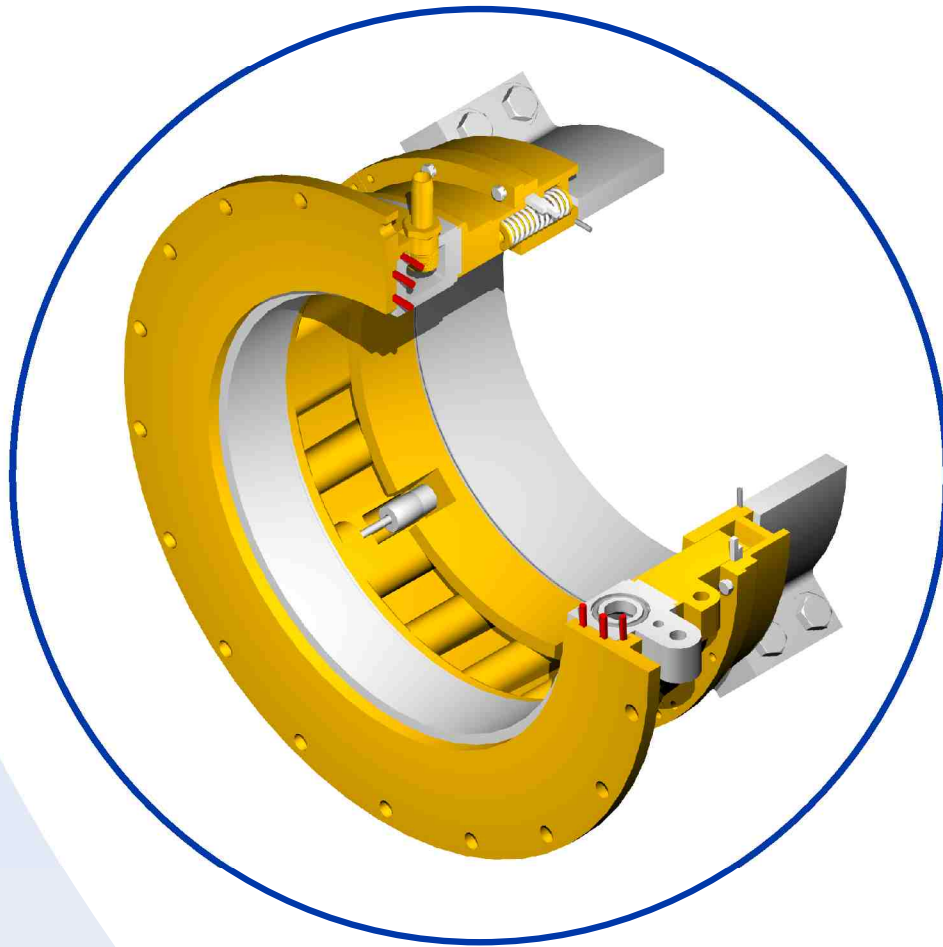


Cedervall semi-split oil lubricated stern-tube seal type MLX-615/200

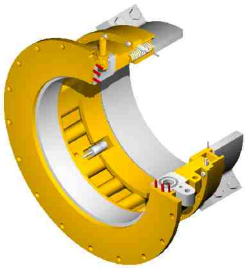


The forward Cedervall semi split stern-tube seal type MLX is fitted with a liquid cooled “free-floating” alignment ring. A spring loaded white metal ring aligned with spherical driving pins to allow fluctuations in the shaft line. This design of the driving pin also decrease the pressure on the packing.

The MLX type seal, together with our aft split type KR seal, complies with the requirements of the classification societies permitting shaft removal at intervals of up to 15 years.

The forward seal is also available in a fully split and a non split version.

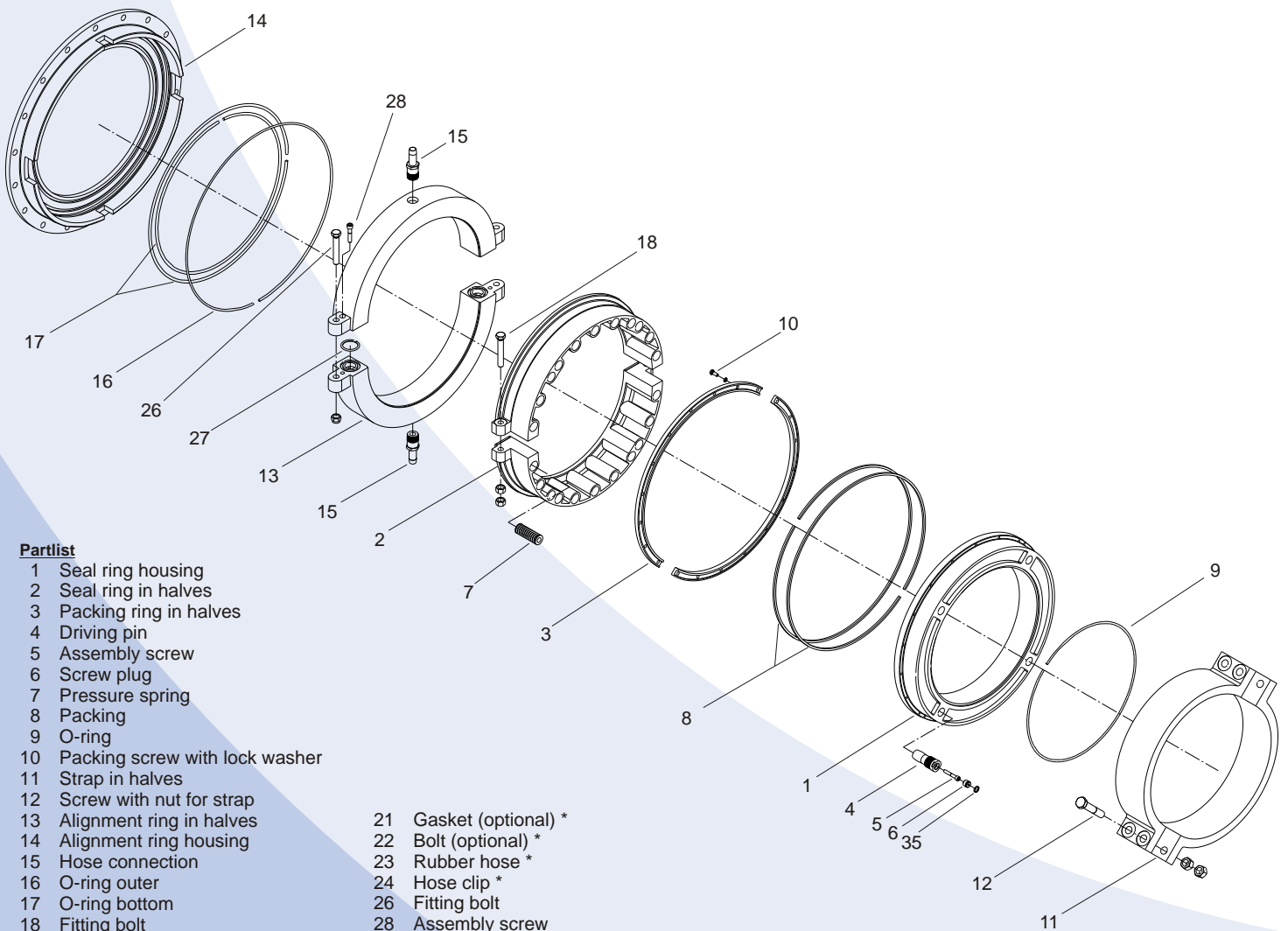
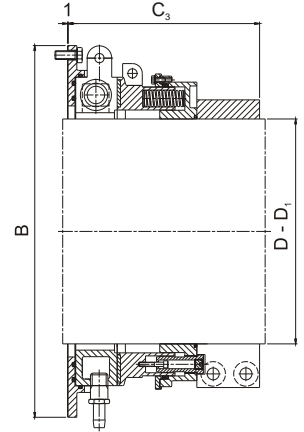
For technical specification, see back-cover of this leaflet.



Cedervall forward semi-split oil lubricated stern-tube seal type MLX-615/200

All dimensions in mm.

Size	D	-	D ₁	B	C ₃	Size	D	-	D ₁	B	C ₃	Size	D	-	D ₁	B	C ₃
1	92	-	104	267	246	16	355	-	373	624	351	31	620	-	644	895	376
2	105	-	116	279	246	17	374	-	392	643	351	32	645	-	669	920	376
3	117	-	132	295	246	18	393	-	411	662	351	33	670	-	699	995	448
4	133	-	151	314	246	19	412	-	430	681	351	34	700	-	729	1025	448
5	152	-	170	333	246	20	431	-	449	700	371	35	730	-	759	1055	448
6	171	-	189	358	246	21	450	-	464	719	371	36	760	-	789	1085	448
7	190	-	205	400	262	22	465	-	479	738	371	37	790	-	819	1115	448
8	206	-	224	437	273	23	480	-	494	753	371	38	820	-	849	1145	448
9	225	-	243	456	273	24	495	-	509	768	371	39	850	-	879	1175	448
10	244	-	262	475	283	25	510	-	524	783	371	40	880	-	909	1205	448
11	263	-	278	491	283	26	525	-	539	798	371	41	910	-	939	1235	448
12	279	-	297	514	283	27	540	-	554	810	371	42	940	-	969	1265	448
13	298	-	316	541	318	28	555	-	574	830	376	43	970	-	999	1295	448
14	317	-	335	586	328	29	575	-	594	850	376	44	1000	-	1029	1325	448
15	336	-	354	605	336	30	595	-	619	870	376						



Partlist

- | | |
|-----------------------------------|------------------------|
| 1 Seal ring housing | 21 Gasket (optional) * |
| 2 Seal ring in halves | 22 Bolt (optional) * |
| 3 Packing ring in halves | 23 Rubber hose * |
| 4 Driving pin | 24 Hose clip * |
| 5 Assembly screw | 26 Fitting bolt |
| 6 Screw plug | 28 Assembly screw |
| 7 Pressure spring | |
| 8 Packing | |
| 9 O-ring | |
| 10 Packing screw with lock washer | |
| 11 Strap in halves | |
| 12 Screw with nut for strap | |
| 13 Alignment ring in halves | |
| 14 Alignment ring housing | |
| 15 Hose connection | |
| 16 O-ring outer | |
| 17 O-ring bottom | |
| 18 Fitting bolt | |

Items marked * is not shown in this exploded view.

We reserve the right to change dimensions without prior notice.

