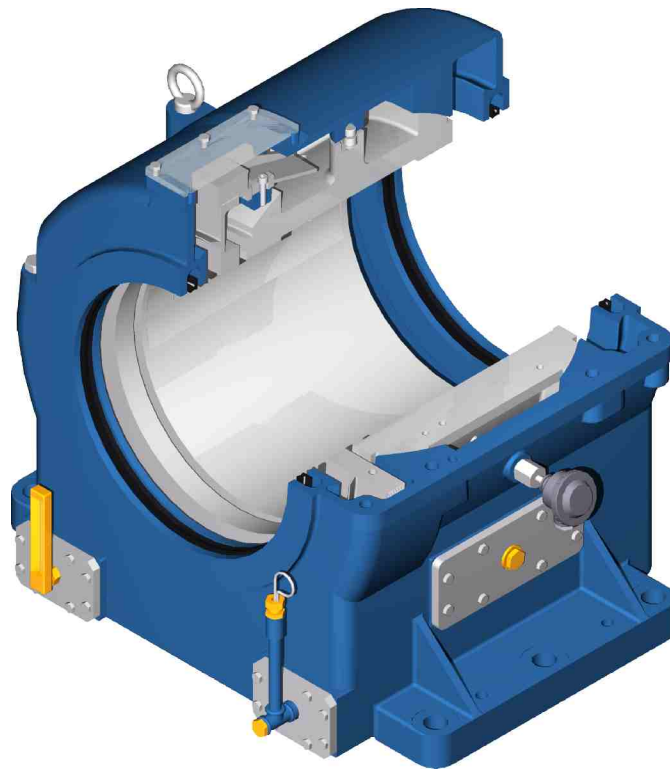


# Cedervall Intermediate Shaft Bearings



The Cedervall Intermediate Shaft Bearings are made of highest quality cast iron with tin or lead base white metal.

The bearings are self-lubricating and self-aligning and prepared for water-cooling.

The self-aligning design simplifies installation and reduces wear of the bearing compared to conventional design.

The bearings are equipped with oil level gauge and thermometer as standard. Temperature sensor can be supplied as option.

In case of severe running conditions the bearings can be equipped with forced lubrication / circulation by means of an external oil pump.

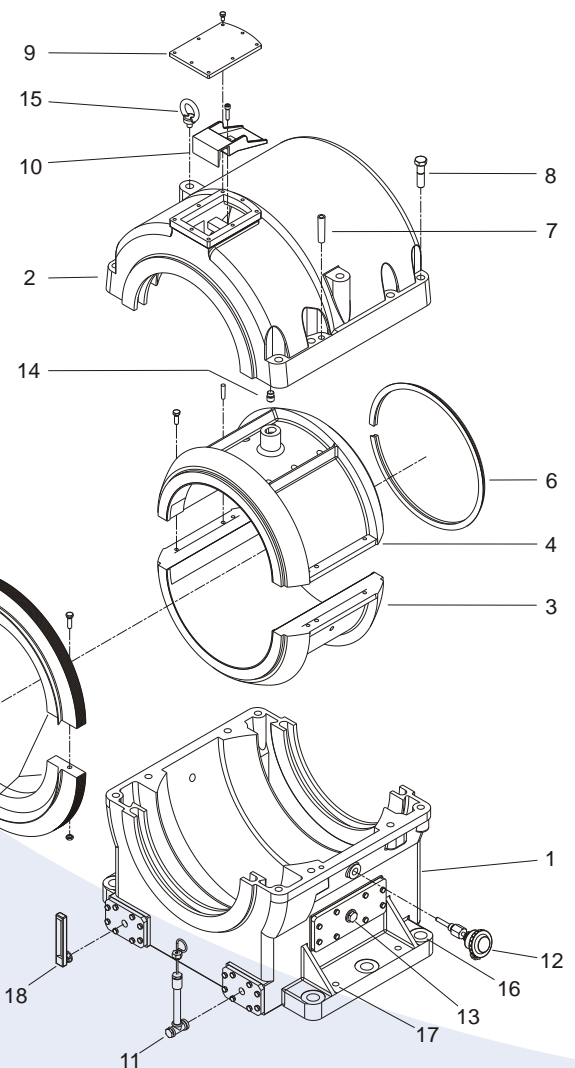
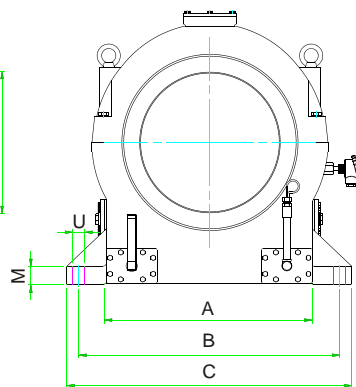
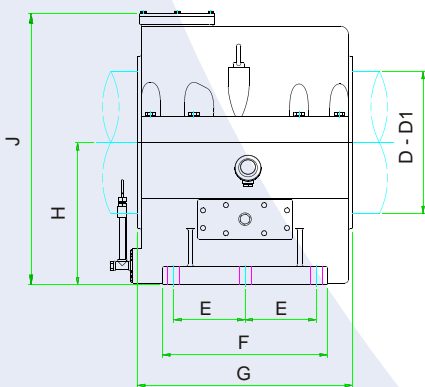
For technical specification, see back-cover of this leaflet.



# Cedervall Intermediate Shaft Bearings

Size	D	-	D1	A	B	C	E	F	G	H	J	L <sup>(*)</sup>	M	U
125	101	-	125	220	310	360	149,0	199	217	150	320	70	35	4-ø25
165	126	-	165	270	350	410	150,0	210	310	215	403	125	40	4-ø25
210	166	-	210	310	400	460	210,0	270	360	245	458	185	40	4-ø32
235	211	-	240	350	490	550	240,0	300	436	260	508	250	40	4-ø32
265	241	-	274	460	550	610	130,0	320	446	300	560	255	45	6-ø32
290	275	-	300	480	580	640	145,0	350	485	325	600	275	40	6-ø32
320	301	-	332	450	620	680	160,0	380	510	345	664	300	50	6-ø32
350	333	-	365	500	640	700	190,0	440	532	360	685	350	50	6-ø32
380	366	-	400	560	700	760	190,0	440	574	380	725	360	50	6-ø32
420	401	-	432	600	740	800	210,0	480	615	390	735	360	55	6-ø32
450	433	-	465	655	795	855	225,0	510	642	440	825	430	70	6-ø32
480	466	-	500	730	840	930	217,5	525	525	425	830	300	75	6-ø45
530	501	-	550	770	880	970	135,0	360	510	450	870	300	80	6-ø45
580	551	-	600	845	965	1065	222,5	545	565	515	995	320	80	6-ø55
630	601	-	650	775	1040	1160	236,0	592	612	560	1082	352	85	6-ø58

All dimensions in mm



## Partlist

- 1 Lower body
- 2 Upper body
- 3 Lower bearing
- 4 Upper bearing
- 5 Oil ring
- 6 Deflection ring
- 7 Guide pin
- 8 Assembly screw
- 9 Cover
- 10 Spillway
- 11 Oil level / Drain
- 12 Temperature sensor<sup>(\*)</sup>
- 13 Inlet / outlet cooling circuit
- 14 Anti rotation pin
- 15 Eye bolt
- 16 Fastning bolt<sup>(2,3)</sup>
- 17 Level bolt<sup>(2,3)</sup>
- 18 Local thermometer

\*1. L = bearing length (Pos.3,4)

\*2. Item not shown in exploded view.

\*3. Optional item.

We reserve the right to change dimensions without prior notice.

[www.cedervall.com](http://www.cedervall.com)



CHON Var 1.2  
2003-08-21