

## positive displacement flow meters

# M4 – 1/2" meters with mechanical register

The M4 is a low to medium flow range model. It is a compact meter that has the ability to handle a wide range of fluid viscosities with exceptional levels of repeatability and durability.

### Features

- Compact size.
- Easy to read and operate mechanical register.
- Flexibility of installation options (e.g. can be mounted horizontally or vertically; no flow conditioning required).
- Low pressure drop allows for economical pump selection or gravity flow applications.
- Meter construction enables fast and easy on-site servicing without removal from application.
- Meter accuracy is verified by a factory calibration check after which an individual metrology report is issued.
- Meter design minimises the number of wearable and replaceable parts and extends product life.

### Specification:

<b>Model</b>	<b>M4</b>
Meter Type	Meter With Mechanical Register
Meter Body Material	Aluminium / 316 Stainless Steel / Bronze
Wetted Components:	
Rotor Material	PPS Only
Shafts	316 Stainless Steel
O'ring	NBR (Nitrile)
Flow Rate Ranges (Litres Per Minute/US Gallons Per Minute)	
Above 5 cPs	2 To 30 / 0.5 To 8
Below 5 cPs	3 To 25 / 0.8 To 6.60
Accuracy- Within (Of Reading)	+/- 1%
Repeatability	0.03%
Maximum Viscosity (Of Standard Model)	1000 Centipoise
Maximum Operating Pressure	3400kpa/ 34 Bar / 500 Psi
Max. Operating Temperature	80°C / 176°F, High Temp Option 120°C / 248°F
Recommended Mesh Strainer Size	60 Mesh



M4ARM-X



Mechanical Register



MH450 Industrial Register

### Port Size

To order flowmeter you must replace 'X' with the relevant number. This number will determine the following specifications:

Port Size:	Calibrated In:
1 = 1/2" BSP (F) ports	Litres
2 = 1/2" NPT (F) ports	US Gallons

PPS = Polyphenylene Sulfide Resins

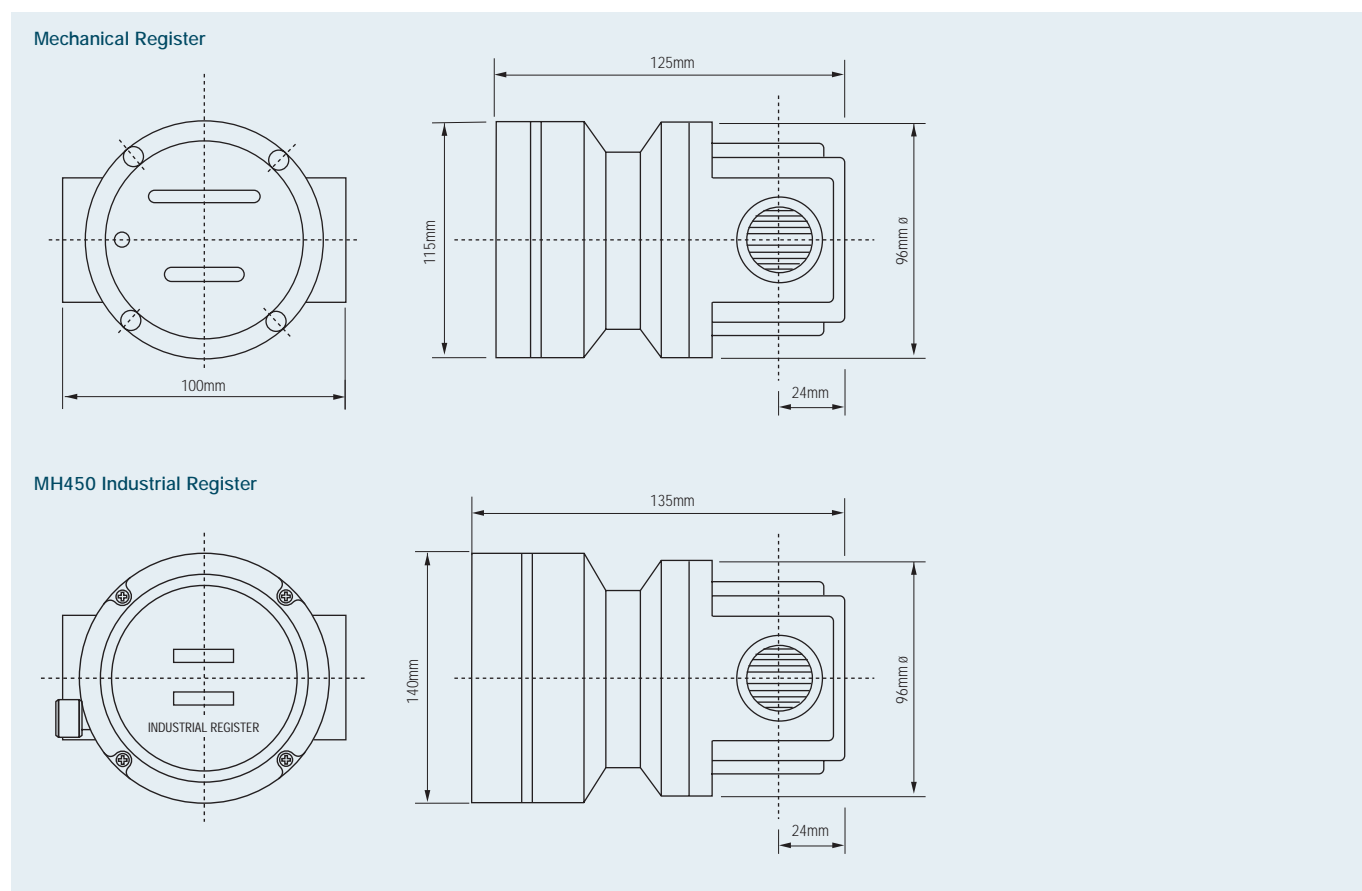
# M4 – 1/2" meters with mechanical register

## Options and accessories

M4 - 1/2" METERS WITH MECHANICAL REGISTER	M4ARM-X	M4SRM-X	M4ARMI-X	M4SRMI-X
FKM O-Ring	○	○	○	○
FEP O-Ring	○	○	○	○
EPDM O-Ring	○	○	○	○
High Temp Rotors	○	○	○	○
High Viscosity Rotors	○	○	○	○
Hall Effect Sensor	-	-	-	-
Reed Switch	-	-	-	-
Solvent Kit	○	○	○	○
Hastalloy C Shafts	-	-	-	-
Protective Boot	+	+	-	-
Remote Mounted LC Register	-	-	-	-
Heating Jacket	-	-	-	-
4-20mA Module	-	-	-	-
Protective Boot	○	○	-	-

● Standard ○ Optional - Not Available + Accessory

## Dimensions



Macnaught Pty Ltd reserves the right to modify or alter product materials, dimensions, design and construction, when necessary, to improve the performance of our products. Please check with your local distributor or Macnaught to confirm current specifications of our products.