

positive displacement flow meters

M80 – 3" meters with mechanical display

The M80 is the large capacity meter in the M-SERIES™ range. It has the ability to handle a wide range of fluid viscosities with exceptional levels of repeatability and durability.

Features

- Compact size.
- Easy to read and operate mechanical display.
- Flexibility of installation options (e.g. can be mounted horizontally or vertically; no flow conditioning required).
- Low pressure drop allows for economical pump selection or gravity flow applications.
- Meter construction enables fast and easy on-site servicing without removal from application.
- Meter accuracy is verified by a factory calibration check after which an individual metrology report is issued.
- Meter design minimises the number of wearable and replaceable parts and extends product life.
- An Option of 10/100 Pulse per unit of measure output is available.



M80AAMA-X



Analogue Mechanical Display

Specifications

Model	M80
Meter Type	Meter With Mechanical Display
Meter Body Material	Aluminium / Bronze
Wetted Components:	
Rotor Material	Aluminium
Shafts	316 Stainless Steel
O'ring	NBR (Nitrile)
Flow Rate Ranges (Litres Per Minute/US Gallons Per Minute)	
Above 5 Cps	20 To 733 / 5 To 194
Below 5 Cps	66 To 616 / 17 To 163
Accuracy- Within (Of Reading)	+/- 0.5%
Repeatability	0.03%
Maximum Viscosity (Of Standard Model Available)	1000 Centipoise (> 1000 Hi Vls Rotors Available)
Maximum Operating Pressure	1200kpa/175psi/12bar
Max. Operating Temperature	80°C / 176°F
Recommended Mesh Strainer Size	40 Mesh

Port Size

To order flowmeter you must replace 'X' with the relevant number. This number will determine the following specifications:

Port Size:	Calibrated and Display In:
1 = 3" BSP (F) Ports	Litres
2 = 3" NPT (F) Ports	US Gallons
3 = 3" ANSI 150lb Flange	Litres
4 = 3" ANSI 150lb Flange	US Gallons
5 = 80mm DIN 16 Flange	Litres
13 = 80mm JIS 10K Flange	Litres

Note: See relevant "Flange Technical Information" on page 45.

positive displacement flow meters

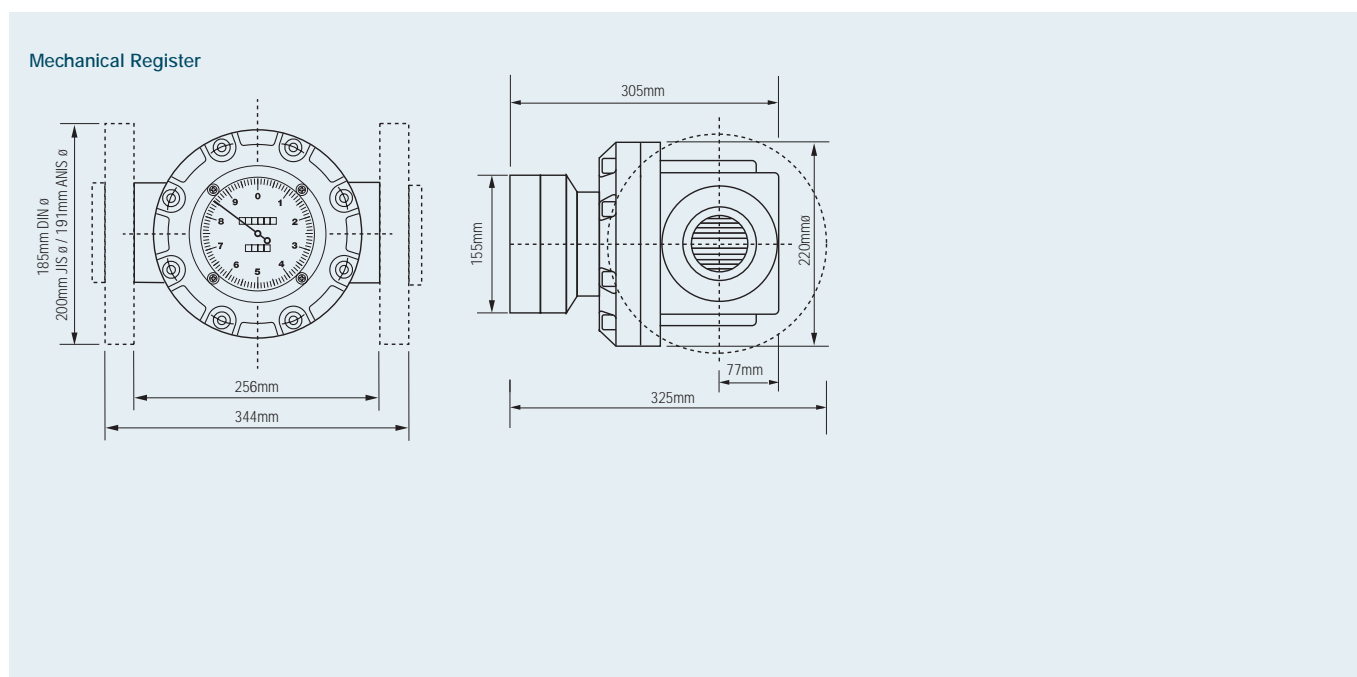
M80 – 3" meters with mechanical register

Options & Accessories

M80 - 3" METERS WITH MECHANICAL DISPLAY	M80AAMA-X	M80BAMA-X
FKM O-Ring	○	○
FEP O-Ring	○	○
Epdm O-Ring	○	○
High Temp Rotors	-	-
High Viscosity Rotors	○	○
Hall Effect Sensor	-	-
Reed Switch	-	-
Solvent Kit	○	○
Hastalloy C Shafts	-	-
Analogue Register	●	●
Pulser Kit P500	+	+
Remote Mounted LC Display	-	-
Heating Jacket	-	-
4-20ma Module	-	-

● Standard ○ Optional - Not Available + Accessory

Dimensions



Macnaught Pty Ltd reserves the right to modify or alter product materials, dimensions, design and construction, when necessary, to improve the performance of our products. Please check with your local distributor or Macnaught to confirm current specifications of our products.