

positive displacement flow meters

M100 – 4" meters with mechanical register

Suitable for fuels, lubricants and non-corrosive fluids to a viscosity of 1000cPs, the M100 is a 100mm (4"), high flow, oval gear flowmeter and is capable of measuring fluid flows of up to 1200LPM. The M100 is accurate to +/- 0.5% and provides exceptional levels of reliability and durability.

The M100 is available with Veeder-Root preset register, veeder root reset register, analogue mechanical register.

Features

- Easy to read and operate, resettable mechanical register options available
- Flexibility of installation options (eg: can be mounted horizontally or vertically - no flow conditioning required)
- Low pressure drop allows for economical pump selection or gravity flow applications
- Meter construction enables fast and easy on-site servicing without removal from application
- Meter accuracy is verified by a factory calibration check after which an individual metrology report is issued
- Meter design minimises the number of wearable and replaceable parts and extends product life
- Available with 4" ANSI 150lb, JIS10K and DIN 16 flanges (modular construction) or 3" screwd BSP (F) / NPT (F) / ANSI Flange
- An option of 10 pulse per unit of measurable output available (mechanical only) P500



M100AAMA-X



Analogue Mechanical Display

Specifications

Model	M100
Meter Type	Meter with mechanical display
Meter Body Material	Aluminium / Bronze / Stainless Steel
Wetted Components:	
Rotor Material	Aluminium / Stainless Steel
Shafts	316 Stainless Steel
O'ring	NBR (Nitrile)
Flow Rate Ranges (Litres Per Minute/US Gallons Per Minute)	
Above 5 cPs	120 To 1200 / 32 - 317 (1000 cPs Hi Vis Rotors Available)
Below 5 cPs	200 To 1200 / 53 - 317
Accuracy- Within (Of Reading)	+/- 0.5%
Repeatability	0.03%
Maximum Viscosity (Of Standard Model)	1000 cPs
Maximum Operating Pressure	1200kpa/175psi/12bar
Pulsar Type	With P500 Option Litre/US Gallons 10/38
Max. Operating Temperature	AL 80°C/176°F St St 120°C/248°F
Recommended Mesh Strainer Size	40

Port Size

To order flowmeter you must replace 'X' with the relevant number. This number will determine the following specifications:

Port Size:	Calibrated and Display In:
1 = 4" BSP (F) Ports	Litres
2 = 4" NPT (F) Ports	US Gallons
3 = 4" ANSI 150lb Flange	Litres
4 = 4" ANSI 150lb Flange	US Gallons
5 = 100mm DIN 16 Flange	Litres
13 = 100mm JIS 10K Flange	Litres
14 = ANSI 150lb Flange	Litres
15 = ANSI 150lb Flange	US Gallons
16 = BSP (F)	Litre
17 = NPT (F)	US Gallons

Note: See relevant "Flange Technical Information" on page 45.

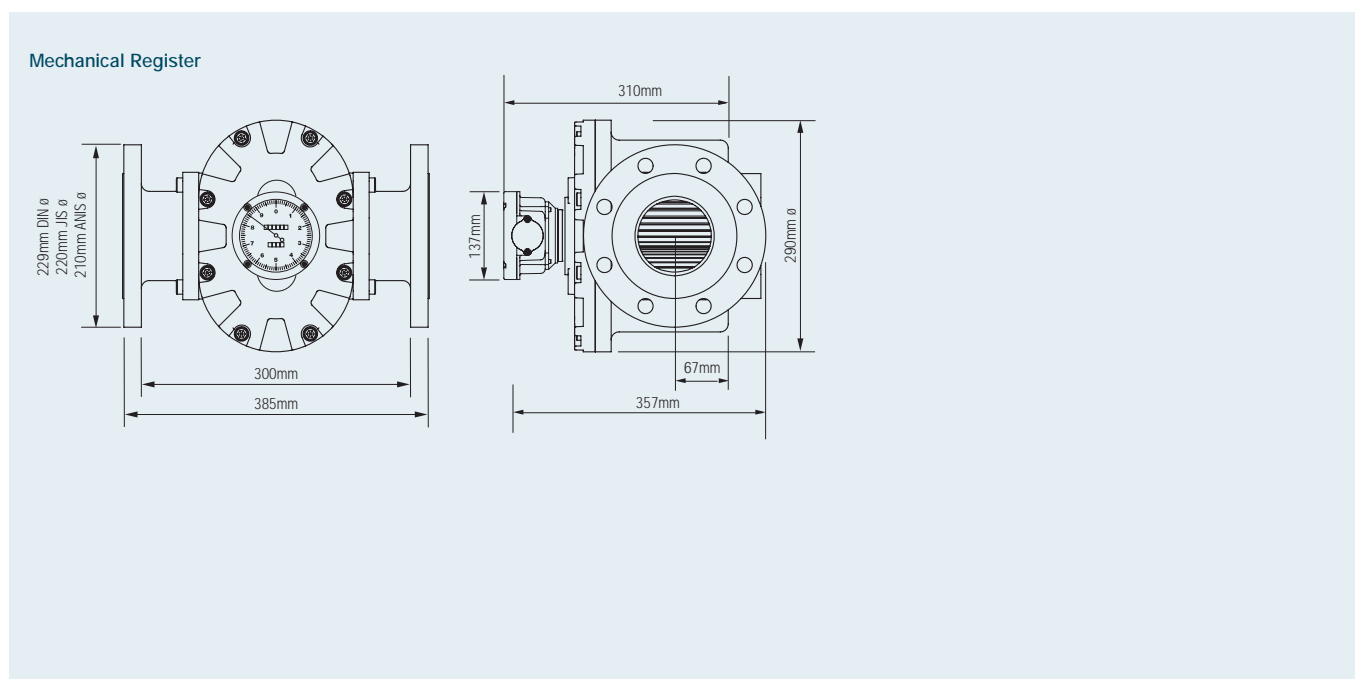
positive displacement flow meters

M100 – 4" meters with mechanical register

M100 - 4" METERS WITH MECHANICAL REGISTER	M100AAMA-X	M100BAMA-X
FKM O-Ring	○	○
FEP O-Ring	○	○
Epdm O-Ring	○	○
High Temp Rotors	-	-
High Viscosity Rotors	○	○
Hall Effect Sensor	-	-
Reed Switch	-	-
Solvent Kit	○	-
Hastalloy C Shafts	-	-
Analogue Register	●	●
Pulser Kit P500	+	+
Remote Mounted LC Display	-	-
Heating Jacket	-	-
4-20ma Module	-	-

● Standard ○ Optional - Not Available + Accessory

Dimensions



Macnaught Pty Ltd reserves the right to modify or alter product materials, dimensions, design and construction, when necessary, to improve the performance of our products. Please check with your local distributor or Macnaught to confirm current specifications of our products.