

F-50



Fremo oil burners are produced in Norway. FREMO AS has more than 50 years experience in developing and manufacturing oil burners. The company produces oil burners for private houses, residential complexes, industry and ships.

Modern computer controlled production equipment ensures that demands for quality are met. Fremo automatic oil burners are equipped with components from leading manufacturers in Europe. All main components are mounted for easy access.

The oil burners have integrated control panels with hourmeters and switches for the nozzles. The control panel is equipped with motor contactor, thermal relay and Euro-contacts or Pg-nipples for easy connection.

Electronics provide for multistage and easy adjustment of the burner. Optimum combustion secures reliable operation and maximum combustion efficiency. This leads to flue gas with a high carbon dioxide content and a minimum of soot formation. The air regulation on burners with multiple nozzles is automatic.

Easy inspection of the flame is made possible by view glass. Hour meters registering operating time are mounted in front of the control panel. Heat-resistant blast tubes are standard. Infrared monitoring can be delivered on request.

Fremo oil burners satisfy the European combustion standards.

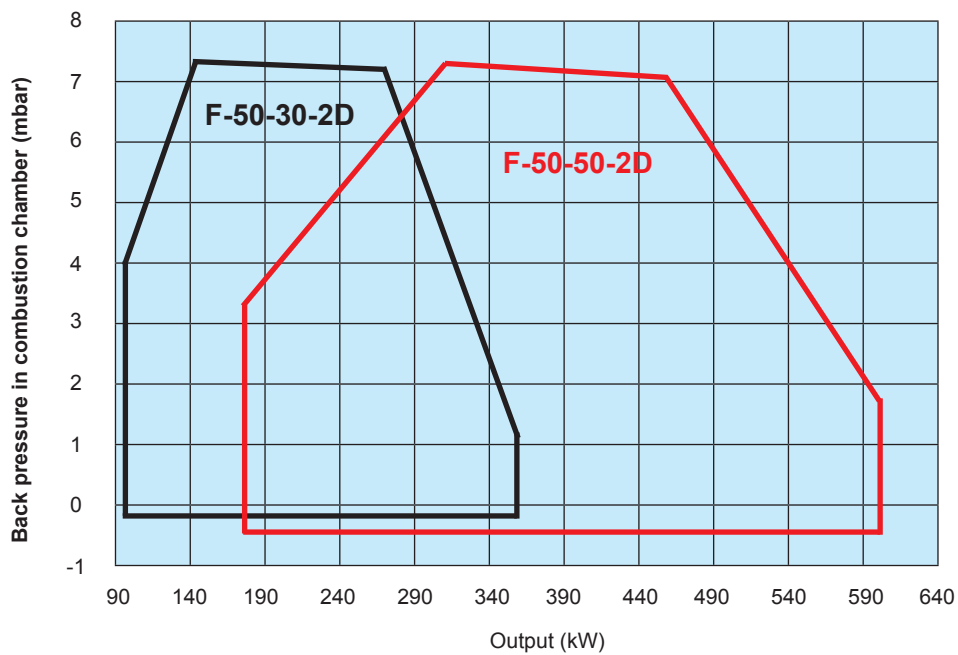
TECHNICAL DATA			
		Model	
		30-2D	50-2D
Output	min. kW	95	180
	max. kW	356	600
	min. kcal/h	81 600	154 700
	max. kcal/h	306 100	515 900
Fuel		Light fuel	
Rate	kg/h min.	8	15
	kg/h max.	30	50
Power supply		230V/400V-50Hz	
Fan motor (2800 rpm)	W	550	
Current absorption	A	2,36/1,36	
Power consumption	W	860	
Weight	kg	36	
Operation		2-stage	
Nozzles		2	
Motor		3-phase	

The air flow on burners with 2 or 3 nozzles is regulated by servo control. The motor is directly connected to the air damper. The adjustment of the air damper's opening, and the interchanging between high and low flame are made by adjustable cams. The cams have colour-coded handles. The servo control is equipped with an indicator showing the air dampers position. The scale has 3 coloured sectors, where the colours correspond with the handles. The motor can be adjusted to maintain high fire condition when the air damper moves from high to low fire condition. This prevents the flame being extinguished until the airflow has stabilised.

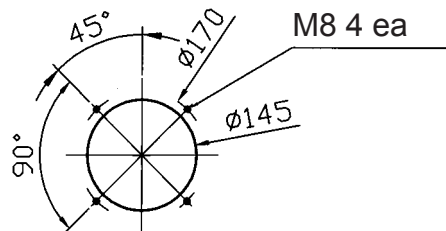
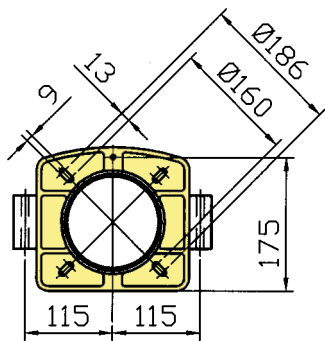
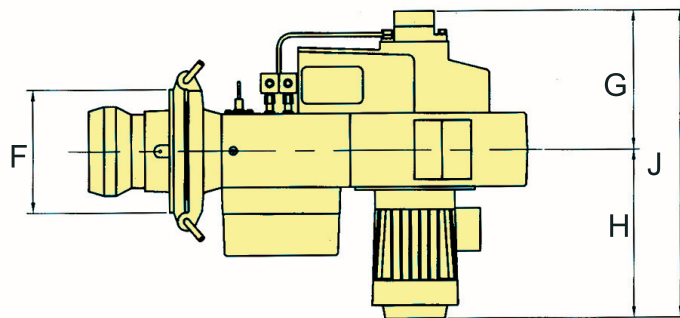
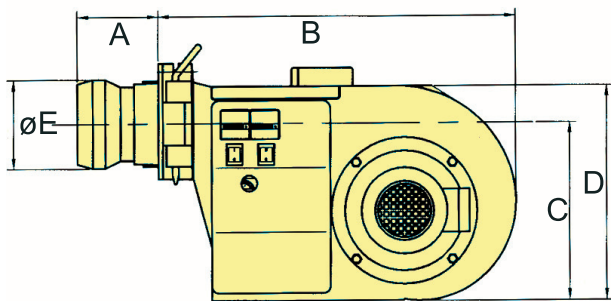
On burners with 2 nozzles, the air damper is closed during the standby period. On 3 nozzle burners, the air damper will not close completely, but it will be a small opening corresponding to the start flame position. Closed air damper prevents cooling of heating surfaces. During the starting sequence the air damper opens ensuring good ventilation of the boiler before start-up. A smooth start-up without pulsation is achieved by using a low start load and increasing gradually to the required load.

The oil burners can also be delivered as marine-duty burners in accordance with Veritas and Lloyd's specifications.

Performance



Dimensions



Overall dimension (mm)									
Model	A	B	C	D	øE	F	G	H	J
F-50-30-2D	137	590	290	350	120	200	230	260	490
F-50-50-2D	144				140				