

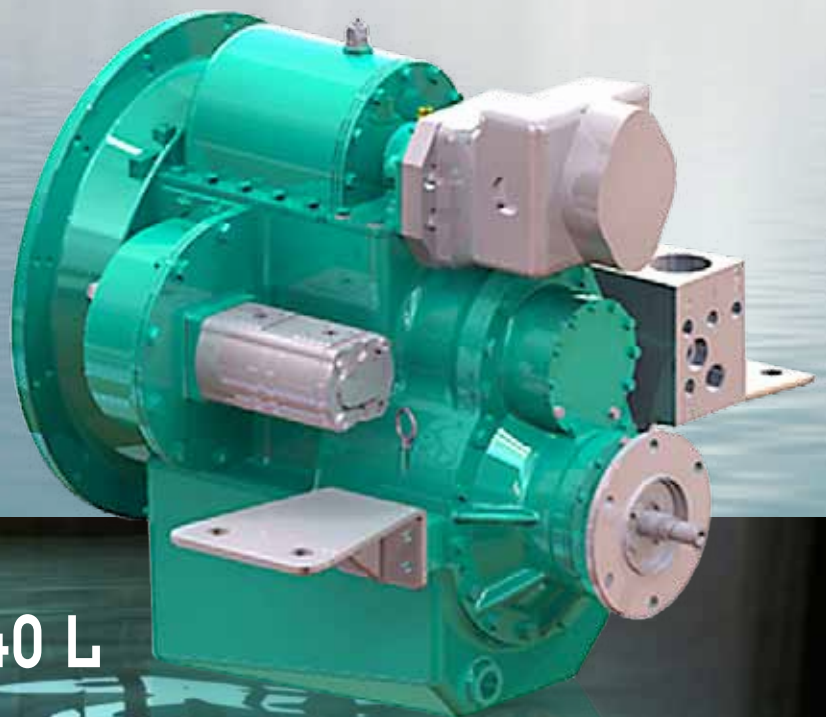
New Heimdal Reduction Gear for Small Vessels

Heimdal Propulsion Norway AS is proud to announce the launch of its smallest gear so far, the HG 140 L. This is a robust but compact gear with an integrated servo system for controllable pitch propellers, designed for engines of up to 205 kW (275 HP) power at a speed of 2300 rpm.

Main features, HG 140 L:

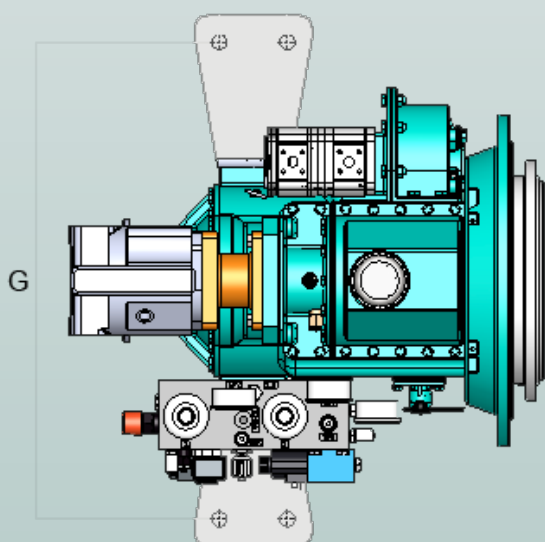
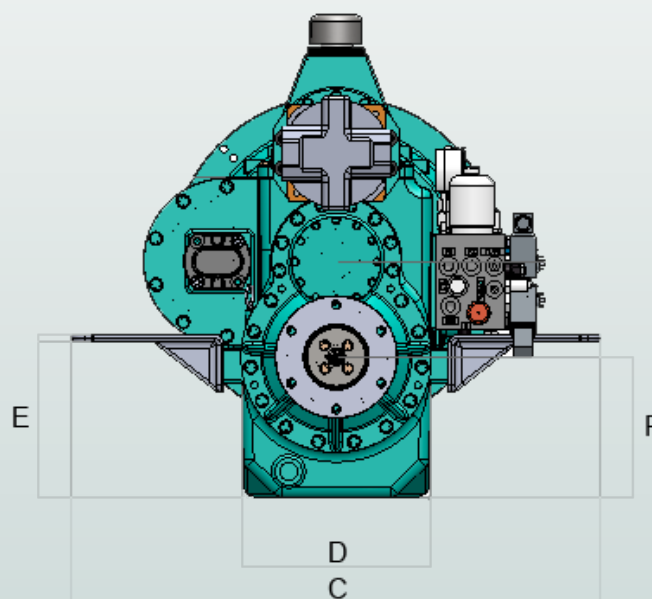
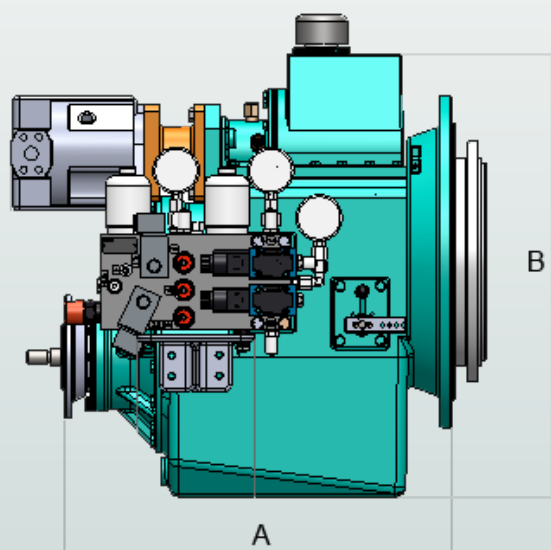
- Standard gear ratio 3.0:1
- Built-in servo system with 60 mm stroke
- Easy-to-change servo pump
- Electrically-controlled clutch
- Mechanical pitch control lever suitable for operation by wire or by electric, pneumatic, or hydraulic actuator
- Freshwater or seawater cooled heat exchanger
- Optional heavy-duty PTO, up to 500 Nm at 1000 rpm
- SAE 2 engine connection
- Lightweight: only 152 kg (excluding PTO).

The reduction gear may be delivered separately, or as part of a cost-efficient package including a tailor-made propeller, and a suitable control system.



HG 140 L

New Heimdal Reduction Gear for Small Vessels



Technical data:

Denomination: HG140L
 Reduction rate: 3.0 :1
 Max. torque: 850 Nm
 Dry weight: 152 kg

Measurements (mm):

A:	B:	C:	D:	E:	F:	G:
567	650	777	278	228	205	700

Max power (kW) at speed (rpm):

1800	2100	2300	2800	3500
160	187	205	250	310

Optional:

- PTO 500 Nm
- Elastic coupling
- SAE 3 engine connection
- Mounting brackets
- Additional hydraulic pump for superfast response
- Reduction rate 3.5 :1
- Three or four bladed propeller with stern tube, bearings and seals
- Control system

HEIMDAL

PROPULSION NORWAY AS

Heimdal Propulsion Norway AS, 6401 Molde
 Tel.: +47 71 25 21 55 E-mail: heimdal@heimdal.com www.heimdal.com