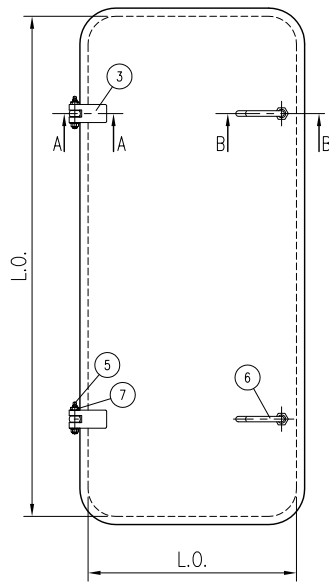
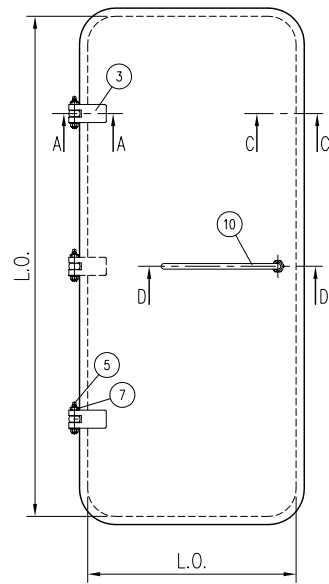


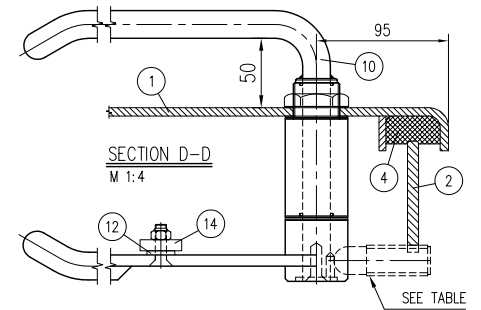
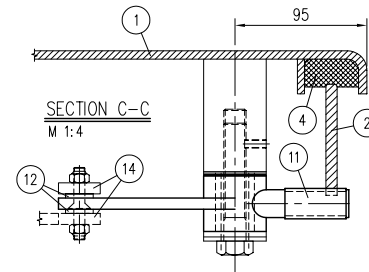
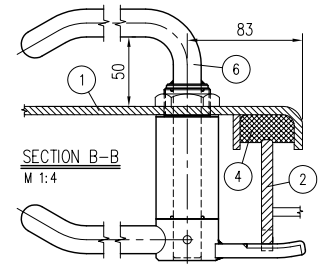
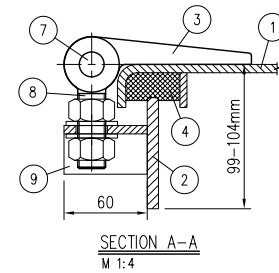
WR-DOORS OUTSIDE



SR-DOORS OUTSIDE



DOORS OUTSIDE
W/QUICK ACTING



WEATHERTIGHT DOORS TYPE WR100

TYPE	NOMINAL SIZE R110 - mm	LIGHT OPENING R100 - mm	POSITION		APP. WEIGHT EXCL. COAMING	
			1 T+H	2 T+H	POS. 1	POS. 2
WR101	620x1220	600x1200	2+2	2+2	59 kg	59 kg
WR102	620x1420	600x1400	2+2	2+2	67 kg	67 kg
WR103	770x1420	750x1400	2+2	2+2	80 kg	80 kg
WR104	920x1420	900x1400	4+2	4+2	95 kg	95 kg
WR105	620x1620	600x1600	4+2	2+2	80 kg	75 kg
WR106	770x1620	750x1600	4+2	2+2	95 kg	90 kg
WR107	920x1620	900x1600	5+3	4+2	109 kg	104 kg
WR108	620x1820	600x1800	4+2	4+2	85 kg	85 kg
WR109	770x1820	750x1800	4+2	4+2	100 kg	100 kg
WR110	920x1820	900x1800	5+3	4+2	120 kg	115 kg

SPRAYTIGHT DOORS TYPE SR100

TYPE	NOMINAL SIZE R110 - mm	LIGHT OPENING R100 - mm	APP. WEIGHT EXCL. COAMING	
			POS. 1	POS. 2
SR101	620x1220	600x1200	59 kg	
SR102	620x1420	600x1400	67 kg	
SR103	770x1420	750x1400	80 kg	
SR104	920x1420	900x1400	90 kg	
SR105	620x1620	600x1600	75 kg	
SR106	770x1620	750x1600	90 kg	
SR107	920x1620	900x1600	99 kg	
SR108	620x1820	600x1800	80 kg	
SR109	770x1820	750x1800	95 kg	
SR110	920x1820	900x1800	110 kg	

NOTE:

- T+H= NO. OF TOGGLES + NO. OF HINGES
- DOOR-LEAF ARE SANBLASTED AND PRIMED

OTHER DIMENSIONS ON REQUEST

14	LINKAGE ROD	AISI 316 L	
13	SLAVE TOGGLE	AISI 316 L (STEEL BOSS)	
12	BRUSHING	NYLON	
11	ROLLER	ø22/17 AISI 316 L	
10	MAIN HANDLE	AISI 316 L (BRASS BOSSING)	
9	HINGE BRACKET	ST. 37 OR ALUMINIUM	
8	HINGE EYE BOLT	AISI 316 L	
7	HINGE BOLT	AISI 316 L	
6	TOGGLE	AISI 316 L (BRASS BOSSING)	
5	LUBRICATING NIPPLE	M10x1 A2 DIN 71412	
4	RUBBER GASKET	NEOPRENE	
3	ADJUSTABLE HINGES	ST. 37	
2	COAMING (80x8/75x8)	ST. 37 OR ALUMINIUM	
1	DOOR-LEAF	ST. 37	
POS.	AMT.	DESCRIPTION	MATERIAL

A	RELEASED	08.10.02.ARH			
REV.	CHANGED	DATE/SIGN.	REV.	CHANGED	DATE/SIGN.

LIBRA STEEL DOORS TYPE WR/SR100
STANDARD SIZES (w/flat-bar coaming)

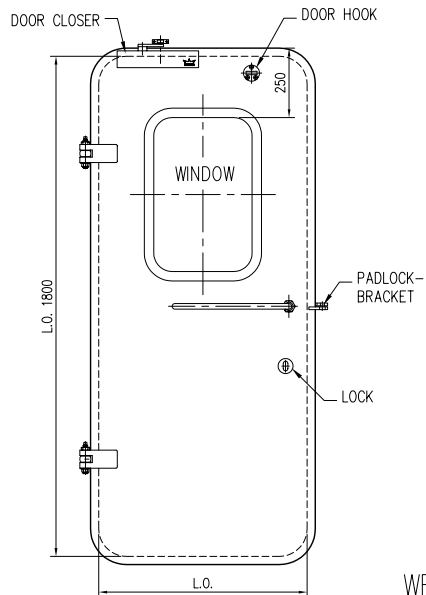
DATE: 08.10.2002 CHECKED: SCALE: 1:20 CUSTOMER:
DRAWN: A.R.HELGESEN DATE: (A3-FORMAT)

LIBRA-PLAST AS
N-6060 Hareid, Norway
Tel.: +47 70 09 54 00
Fax: +47 70 09 54 01
E-Mail: office@libra.no

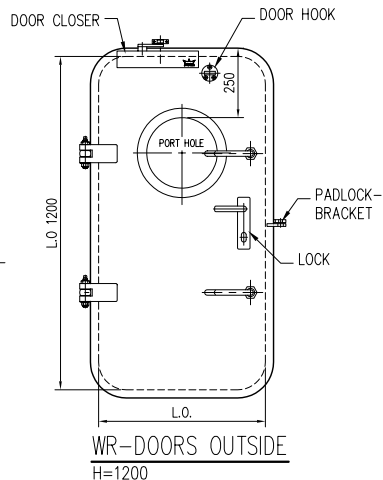
ISSUE: A REF. NO.:
DRAWING NO.: X-3-7311



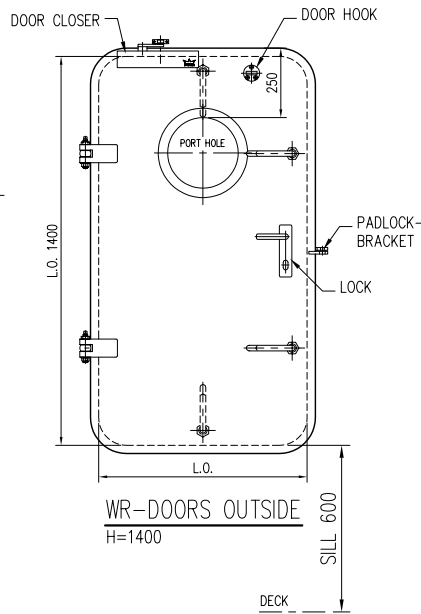
LIBRA DOORS™



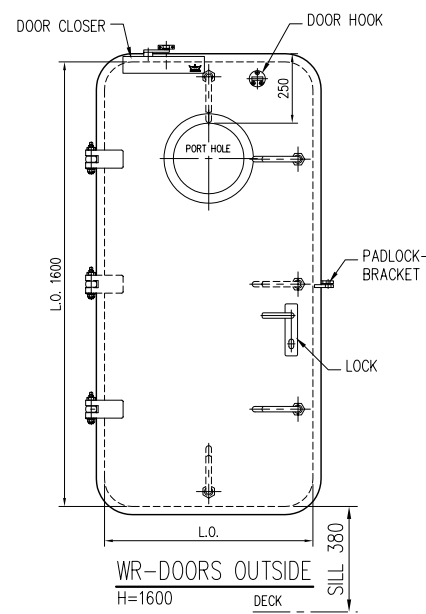
SR-DOORS OUTSIDE
(SHOWN W/QUICK ACTING)



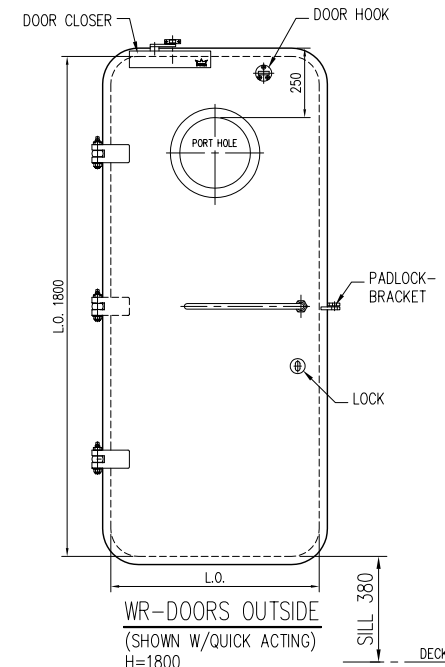
WR-DOORS OUTSIDE
H=1200



WR-DOORS OUTSIDE
H=1400



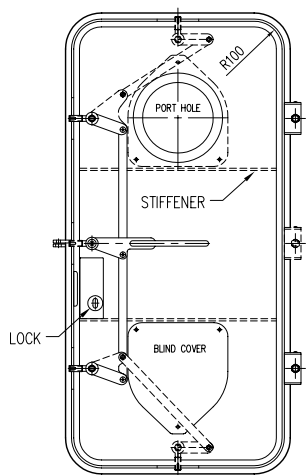
WR-DOORS OUTSIDE
H=1600



WR-DOORS OUTSIDE
(SHOWN W/QUICK ACTING)
H=1800

WR-DOORS

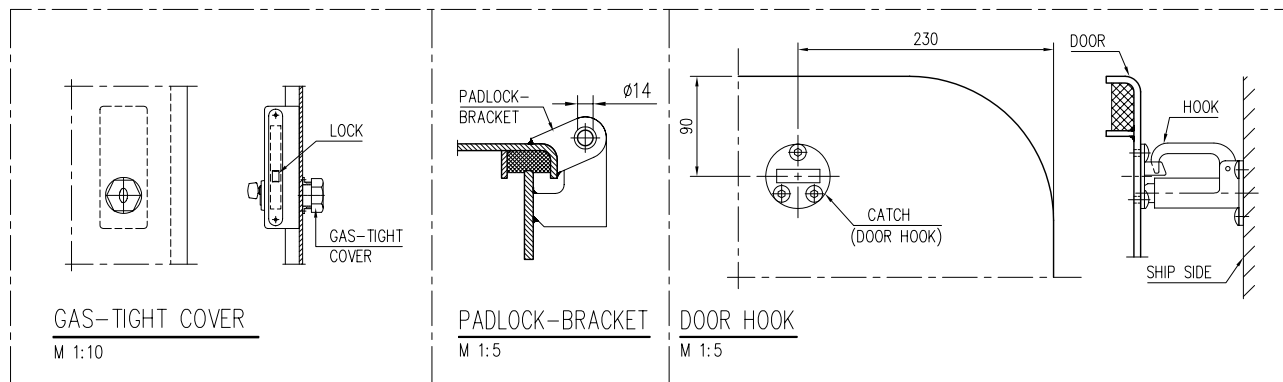
OPTION EQUIPM.	TYPE/SIZE
PORT HOLE	ø250/10
WINDOW	250x350/10
WINDOW	300x450/10
WINDOW	350x550/10
WINDOW	450x650/10
BLIND COVER	15mm ALUM.
DOOR HOOK	GSV 236 A
DOOR CLOSER	DORMA TS-83
PADLOCK-BRACKET	TYPE NS-2520
CYLINDER LOCK	TV 5312/5341
CYLINDER LOCK	GSV 3801Z/3801ZR
GAS-TIGHT COVER	BRASS
CENTR. TOGGLE SYSTEM	AISI 316 L



BLIND COVER INSIDE DOOR
(SHOWN W/QUICK ACTING)

SR-DOORS

OPTION EQUIPM.	TYPE/SIZE
PORT HOLE	ø250/5
WINDOW	250x350/5
WINDOW	300x450/5
WINDOW	350x550/5
WINDOW	450x650/5
BLIND COVER	15mm ALUM.
DOOR HOOK	GSV 236 A
DOOR CLOSER	DORMA TS-83
PADLOCK-BRACKET	TYPE NS-2520
CYLINDER LOCK	TV 5312/5341
CYLINDER LOCK	GSV 3801Z/3801ZR
GAS-TIGHT COVER	BRASS
CENTR. TOGGLE SYSTEM	AISI 316 L



A	RELEASED	08.10.02.ARH	
REV.	CHANGED	DATE/SIGN.	REV. CHANGED DATE/SIGN.

LIBRA STEEL DOORS TYPE WR/SR100
AVAILABLE STD. OPTION EQUIPMENT

DATE: 08.10.2002	CHECKED: A.R.HELGESEN	SCALE: 1:20 (A3-FORMAT)	CUSTOMER:
------------------	-----------------------	-------------------------	-----------

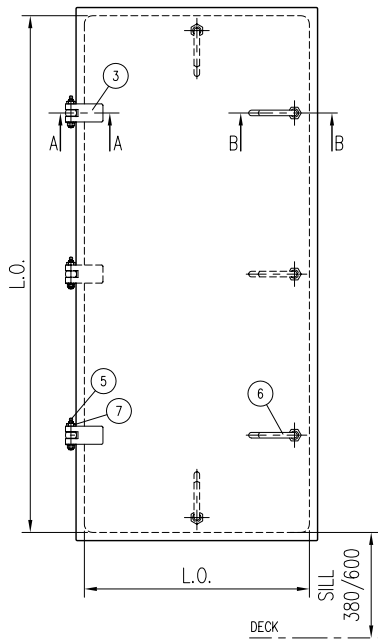
APPROVALS:



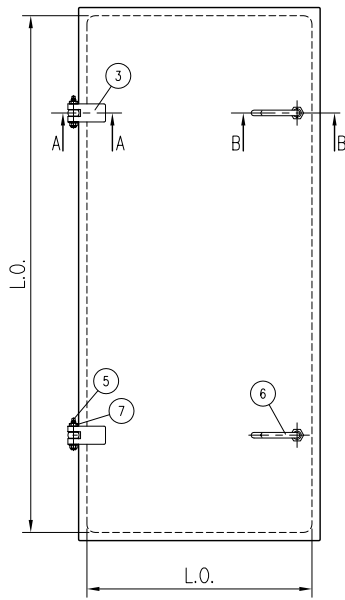
LIBRA-PLAST AS
N-6060 Hareid, Norway
Tel.: +47 70 09 54 00
Fax: +47 70 09 54 01
E-Mail: office@libra.no

ISSUE: A REF. NO.:

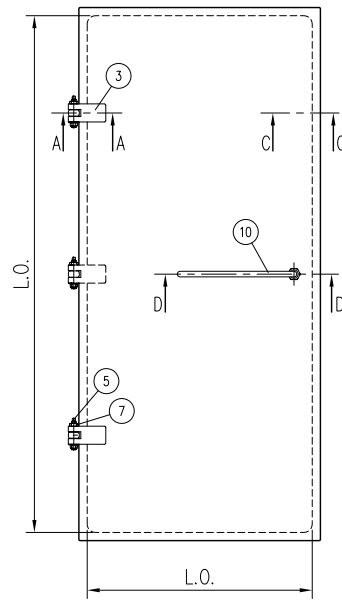
DRAWING NO.: X-3-7310



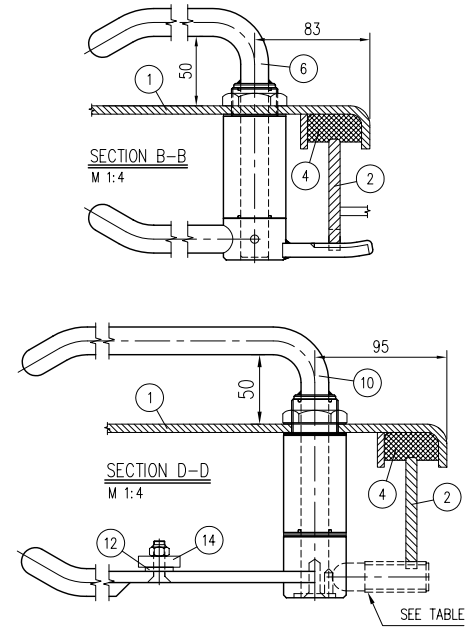
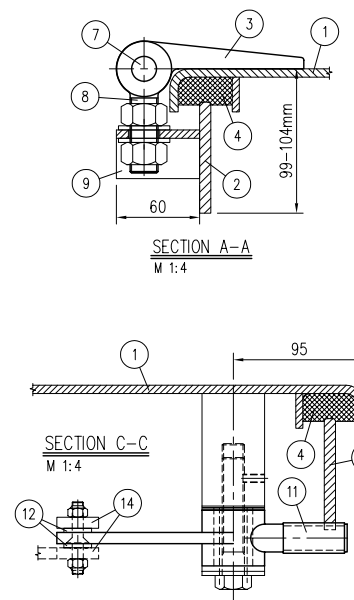
WR-DOORS OUTSIDE



SR-DOORS OUTSIDE



DOORS OUTSIDE
W/QUICK ACTING



WEATHERTIGHT DOORS TYPE WR30

TYPE	NOMINAL SIZE R40 - mm	LIGHT OPENING R30 - mm	POSITION		APP. WEIGHT	
			1 T+H	2 T+H	EXCL. COAMING POS. 1	EXCL. COAMING POS. 2
WR301	600x1380	580x1360	2+2	2+2	64 kg	64 kg
WR302	680x1480	660x1460	2+2	2+2	73 kg	73 kg
WR303	830x1480	810x1460	4+2	4+2	90 kg	90 kg
WR304	680x1680	660x1660	4+2	2+2	85 kg	80 kg
WR305	830x1680	810x1660	4+2	4+2	100 kg	100 kg
WR306	680x1880	660x1860	4+2	2+2	95 kg	90 kg
WR307	830x1880	810x1860	5+3	4+2	114 kg	109 kg

SPRAYTIGHT DOORS TYPE SR30

TYPE	NOMINAL SIZE R40 - mm	LIGHT OPENING R30 - mm	APP. WEIGHT EXCL. COAMING
SR301	600x1380	580x1360	64 kg
SR302	680x1480	660x1460	73 kg
SR303	830x1480	810x1460	85 kg
SR304	680x1680	660x1660	80 kg
SR305	830x1680	810x1660	95 kg
SR306	680x1880	660x1860	90 kg
SR307	830x1880	810x1860	104 kg

NOTE:

- T+H= NO. OF TOGGLES + NO. OF HINGES
- DOOR-LEAF ARE SANBLASTED AND PRIMED

OTHER DIMENSIONS ON REQUEST

14	LINKAGE ROD	AISI 316 L	
13	SLAVE TOGGLE	AISI 316 L (STEEL BOSS)	
12	BRUSHING	NYLON	
11	ROLLER	ø22/17 AISI 316 L	
10	MAIN HANDLE	AISI 316 L (BRASS BOSSING)	
9	HINGE BRACKET	ST. 37 OR ALUMINIUM	
8	HINGE EYE BOLT	AISI 316 L	
7	HINGE BOLT	AISI 316 L	
6	TOGGLE	AISI 316 L (BRASS BOSSING)	
5	LUBRICATING NIPPLE	M10x1 A2 DIN 71412	
4	RUBBER GASKET	NEOPRENE	
3	ADJUSTABLE HINGES	ST. 37	
2	COAMING (80x8)	ST. 37 OR ALUMINIUM	
1	DOOR-LEAF	ST. 37	
POS.	AMT.	DESCRIPTION	MATERIAL

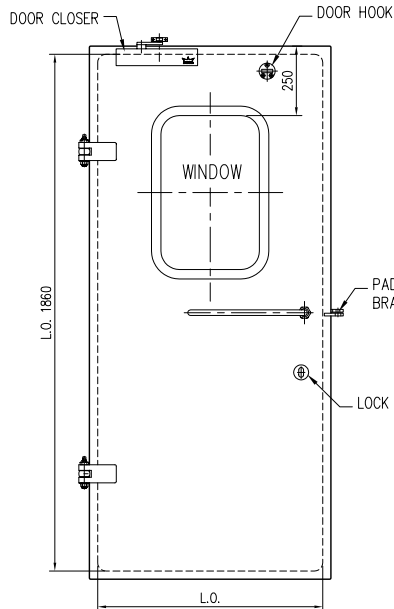
B	CORR. TYPE NO.	04.04.03.ARH	
A	RELEASED	08.10.02.ARH	
REV.	CHANGED	DATE/SIGN.	REV. CHANGED
		DATE/SIGN.	

LIBRA STEEL DOORS TYPE WR/SR30 STANDARD SIZES (w/flat-bar coaming)			
DATE:	CHECKED:	SCALE:	CUSTOMER:
08.10.2002		1:20	
DRAWN:	DATE:	(A3-FORMAT)	
A.R.HELGESEN			

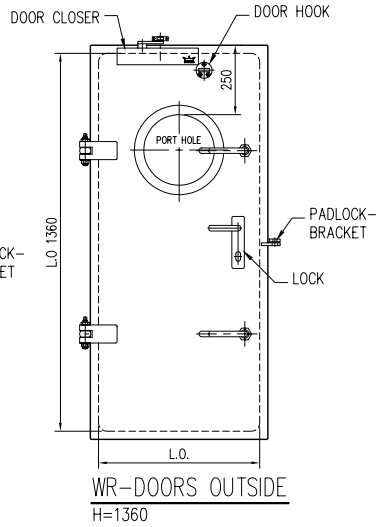
	LIBRA-PLAST AS		ISSUE: B	REF. NO.:
	N-6060 Hareid, Norway Tel.: +47 70 09 54 00 Fax: +47 70 09 54 01 E-Mail: office@libra.no		DRAWING NO.:	
		X-3-7317		



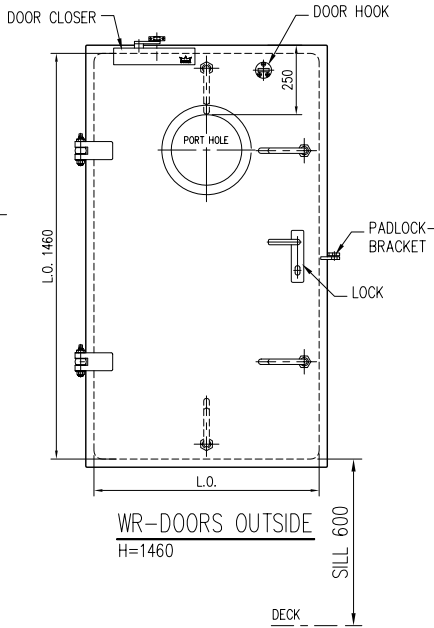
LIBRA DOORS™



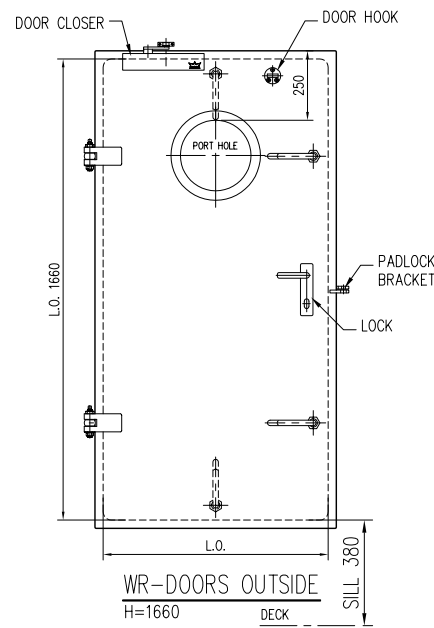
SR-DOORS OUTSIDE
(SHOWN W/QUICK ACTING)



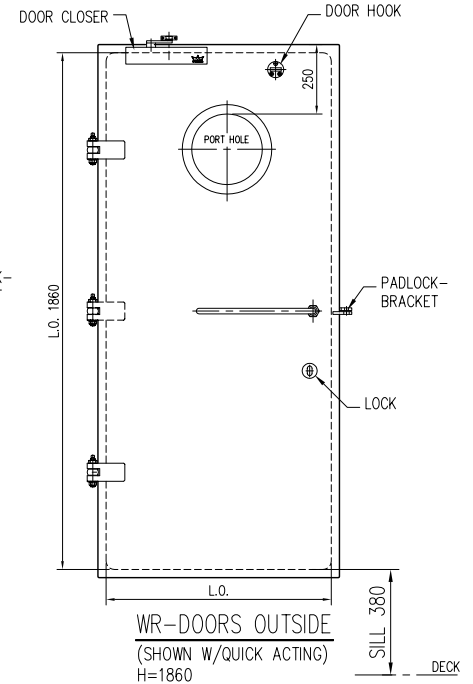
WR-DOORS OUTSIDE
H=1360



WR-DOORS OUTSIDE
H=1460



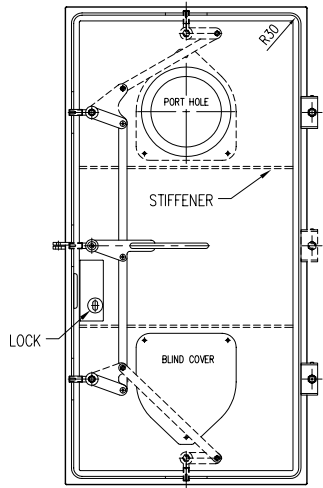
WR-DOORS OUTSIDE
H=1660



WR-DOORS OUTSIDE
(SHOWN W/QUICK ACTING)
H=1860

WR-DOORS

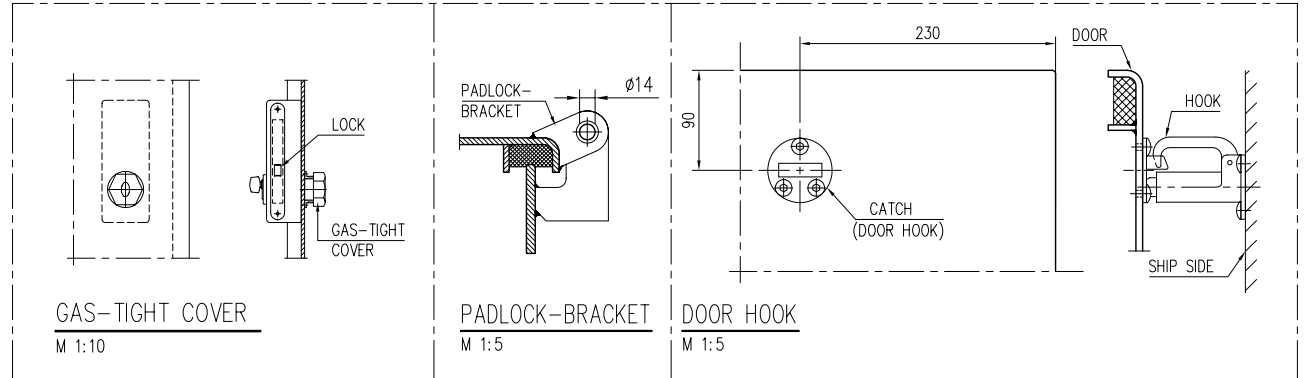
OPTION EQUIPM.	TYPE/SIZE
PORT HOLE	ø250/10
WINDOW	250x350/10
WINDOW	300x450/10
WINDOW	350x550/10
WINDOW	450x650/10
BLIND COVER	15mm ALUM.
DOOR HOOK	GSV 236 A
DOOR CLOSER	DORMA TS-83
PADLOCK-BRACKET	TYPE NS-2520
CYLINDER LOCK	TV 5312/5341
CYLINDER LOCK	GSV 3801Z/3801ZR
GAS-TIGHT COVER	BRASS
CENTR. TOGGLE SYSTEM	AISI 316 L



BLIND COVER INSIDE DOOR
(SHOWN W/QUICK ACTING)

SR-DOORS

OPTION EQUIPM.	TYPE/SIZE
PORT HOLE	ø250/5
WINDOW	250x350/5
WINDOW	300x450/5
WINDOW	350x550/5
WINDOW	450x650/5
BLIND COVER	15mm ALUM.
DOOR HOOK	GSV 236 A
DOOR CLOSER	DORMA TS-83
PADLOCK-BRACKET	TYPE NS-2520
CYLINDER LOCK	TV 5312/5341
CYLINDER LOCK	GSV 3801Z/3801ZR
GAS-TIGHT COVER	BRASS
CENTR. TOGGLE SYSTEM	AISI 316 L



REV.	CHANGED	DATE/SIGN.	REV.	CHANGED	DATE/SIGN.
A	RELEASED	08.10.02.ARH			

LIBRA STEEL DOORS TYPE WR/SR30
AVAILABLE STD. OPTION EQUIPMENT

DATE: 08.10.2002	CHECKED:	SCALE: 1:20 (A3-FORMAT)	CUSTOMER:
DRAWN: A.R.HELGESEN	DATE:		



LIBRA-PLAST AS
N-6060 Hareid, Norway
Tel.: +47 70 09 54 00
Fax: +47 70 09 54 01
E-Mail: office@libra.no

ISSUE: A REF. NO.:
DRAWING NO.:

X-3-7316