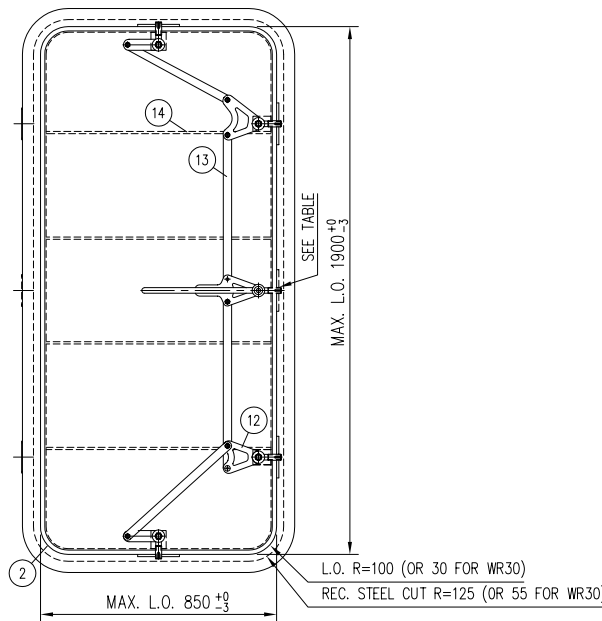
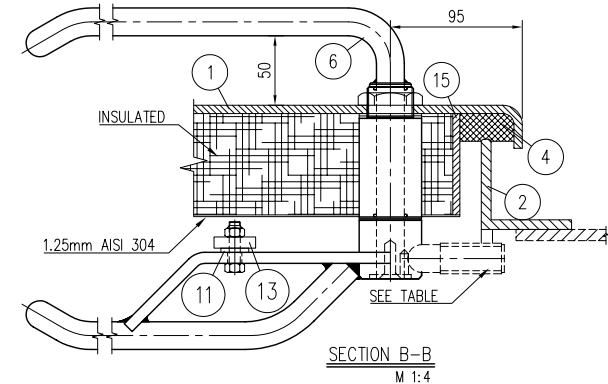
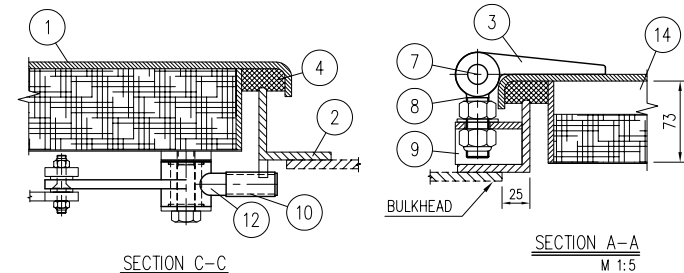


WR-DOORS OUTSIDE



WR-DOORS INSIDE



WATERTIGHT DOORS TYPE WR100 A60

TYPE WR100	LIGHT OPENING WxH mm	STEEL CUT OPENING WxH mm	TOGGLES + HINGES (T+H)	APP. WEIGHT EXCL. COAMING	INT. COAMING CORNER RAD.
WR101	600x1200	650x1250	4+2	108 kg	100
WR102	600x1400	650x1450	4+2	119 kg	100
WR103	750x1400	800x1450	4+2	138 kg	100
WR111	850x1400	900x1450	4+2	151 kg	100
WR115	600x1500	650x1550	4+2	124 kg	100
WR116	750x1500	800x1550	4+2	144 kg	100
WR117	850x1500	900x1550	4+2	157 kg	100
WR105	600x1600	650x1650	5+3	133 kg	100
WR106	750x1600	800x1650	5+3	156 kg	100
WR112	850x1600	900x1650	5+3	171 kg	100
WR118	600x1700	650x1750	5+3	138 kg	100
WR119	750x1700	800x1750	5+3	163 kg	100
WR120	850x1700	900x1750	5+3	174 kg	100
WR108	600x1800	650x1850	5+3	145 kg	100
WR109	750x1800	800x1850	5+3	168 kg	100
WR113	850x1800	900x1850	5+3	188 kg	100
WR114	850x1900	900x1950	5+3	197 kg	100

OTHER DIMENSIONS ON REQUEST

NOTE:

- T+H= NO. OF TOGGLES + NO. OF HINGES
- DOOR-LEAF ARE SANBLASTED AND PRIMED
- LIMITATION FOR WATERTIGHT DOORS: 40 kN/m² (4 m water column).

WEATHERTIGHT DOORS TYPE WR100/30 A60

TYPE WR100 /WR30	LIGHT OPENING WxH mm	STEEL CUT OPENING WxH mm	TOGGLES + HINGES (T+H)	APP. WEIGHT EXCL. COAMING	INT. COAMING CORNER RAD.
WR101	600x1200	650x1250	4+2	108 kg	100
WR102	600x1400	650x1450	4+2	119 kg	100
WR103	750x1400	800x1450	4+2	138 kg	100
WR111	850x1400	900x1450	4+2	151 kg	100
WR115	600x1500	650x1550	4+2	124 kg	100
WR116	750x1500	800x1550	4+2	144 kg	100
WR117	850x1500	900x1550	4+2	157 kg	100
WR105	600x1600	650x1650	5+3	133 kg	100
WR106	750x1600	800x1650	5+3	156 kg	100
WR112	850x1600	900x1650	5+3	171 kg	100
WR118	600x1700	650x1750	5+3	138 kg	100
WR119	750x1700	800x1750	5+3	163 kg	100
WR120	850x1700	900x1750	5+3	174 kg	100
WR108	600x1800	650x1850	5+3	145 kg	100
WR109	750x1800	800x1850	5+3	168 kg	100
WR113	850x1800	900x1850	5+3	188 kg	100
WR114	850x1900	900x1950	5+3	197 kg	100
WR301	580x1360	630x1410	4+2	115 kg	30
WR302	660x1460	710x1510	4+2	130 kg	30
WR303	810x1460	860x1510	4+2	148 kg	30
WR304	660x1660	710x1710	5+3	147 kg	30
WR304	810x1660	860x1710	5+3	168 kg	30
WR306	660x1860	710x1910	5+3	158 kg	30
WR307	810x1860	860x1910	5+3	182 kg	30

POS.	AMT.	DESCRIPTION	MATERIAL
15		GASKET RIM 73x5	ST. 37
14		STIFFENER 30x8	ST. 37
13		LINKAGE ROD	AISI 316 L
12		SLAVE TOGGLE	AISI 316 L (STEEL BOSS)
11		BRUSHING	NYLON
10		ROLLER	ø22/17 AISI 316 L
9		HINGE BRACKET	ST. 37 OR ALUMINIUM
8		HINGE EYE BOLT	AISI 316 L
7		HINGE BOLT	AISI 316 L
6		MAIN HANDLE	AISI 316 L
5		LUBRICATING NIPPLE	M10x1 A2 DIN 71412
4		GASKET	FIRE GASKET
3		ADJUSTABLE HINGE	ST. 37
2		COAMING 65x65x7	ST. 37 OR ALUMINIUM
1		DOOR-LEAF	ST. 37

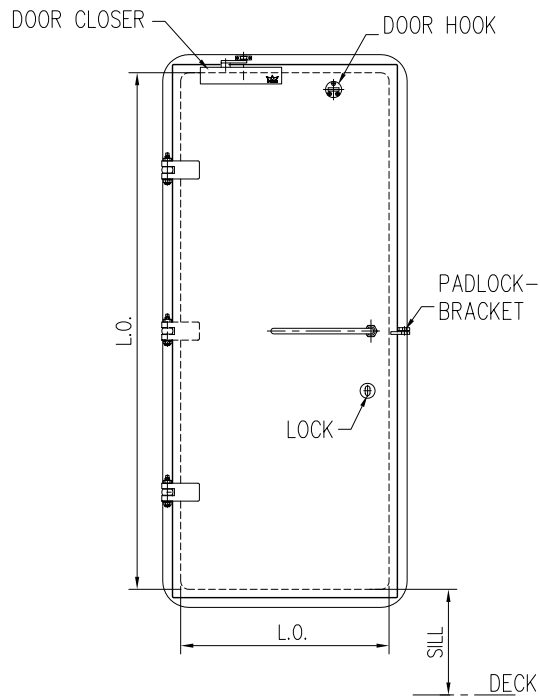
REV.	CHANGED	DATE/SIGN.	REV.	CHANGED	DATE/SIGN.
B	ADDED WR115-120	11.08.03 DS			
A	RELEASED	10.07.03 DS			

LIBRA WATER/WEATHERTIGHT STEEL DOORS
TYPE WR A60, STD. SIZES (w/angle coaming)

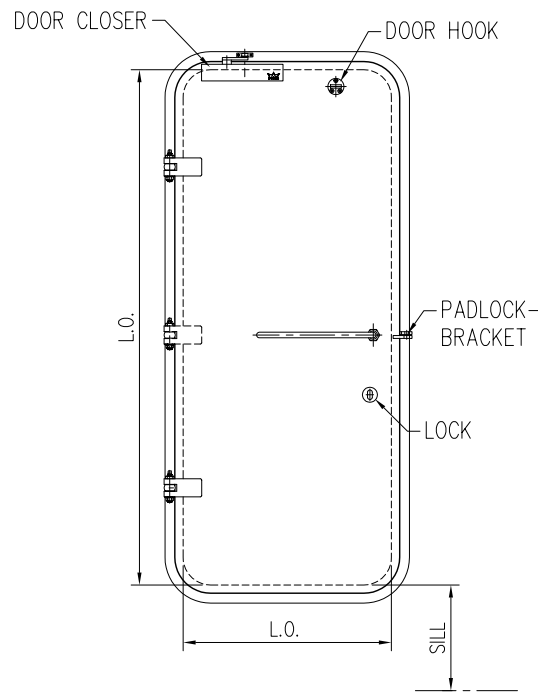
DATE: 10.07.2003 CHECKED: SCALE: 1:20 CUSTOMER:
DRAWN: D.SLETTEBAKK DATE: (A3-FORMAT)

LIBRA-PLAST AS N-6060 Hareid, Norway
Tel.: +47 70 09 54 00
Fax: +47 70 09 54 01
E-Mail: office@libra.no

ISSUE: B REF. NO.:
DRAWING NO.: X-3-8638



TYPICAL WR30 DOOR OUTSIDE



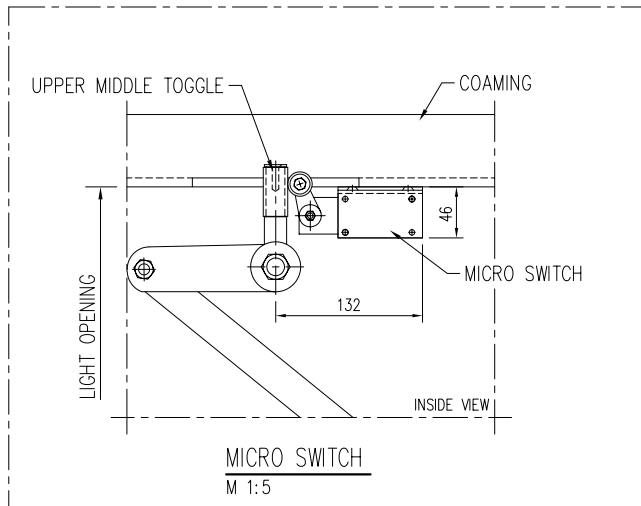
TYPICAL WR100 DOOR OUTSIDE

WR100 A60 DOORS

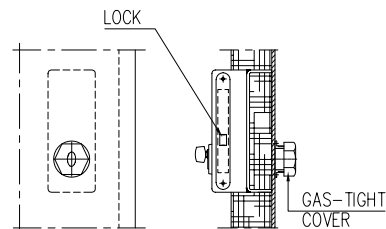
OPTION EQUIPM.	TYPE/SIZE
DOOR HOOK	GSV 236 A
DOOR CLOSER	DORMA TS-83
PADLOCK-BRACKET	TYPE NS-2520
CYLINDER LOCK	TV 5341
CYLINDER LOCK	GSV 3801ZR
GAS-TIGHT COVER	BRASS
MICRO SWITCH	12, 24 OR 240V

WR30 A60 DOORS

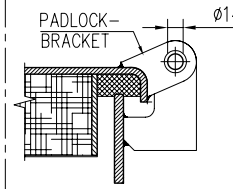
OPTION EQUIPM.	TYPE/SIZE
DOOR HOOK	GSV 236 A
DOOR CLOSER	DORMA TS-83
PADLOCK-BRACKET	TYPE NS-2520
CYLINDER LOCK	TV 5341
CYLINDER LOCK	GSV 3801ZR
GAS-TIGHT COVER	BRASS
MICRO SWITCH	12, 24 OR 240V



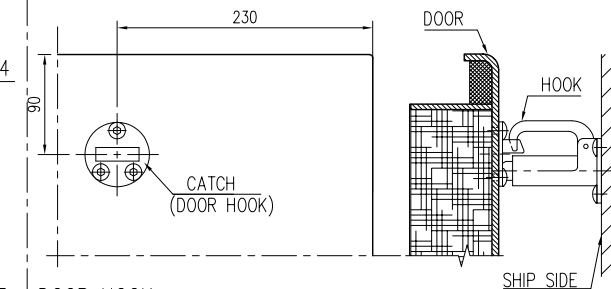
MICRO SWITCH
M 1:5



GAS-TIGHT COVER
M 1:10



PADLOCK-BRACKET
M 1:5



DOOR HOOK
M 1:5

REV.	CHANGED	DATE/SIGN.	REV.	CHANGED	DATE/SIGN.
A	RELEASED	14.07.03. DS			

LIBRA WATER/WEATHERTIGHT STEEL DOORS
WR A60, AVAILABLE STD. OPTION EQUIPMENT

DATE: 14.07.2003	CHECKED:	SCALE: 1:20 (A3-FORMAT)	CUSTOMER:
DRAWN: D.SLETTEBAKK	DATE:		



LIBRA-PLAST AS
N-6060 Hareid, Norway
Tel.: +47 70 09 54 00
Fax: +47 70 09 54 01
E-Mail: office@libra.no

ISSUE: A REF. NO.:
DRAWING NO.:

X-3-8645