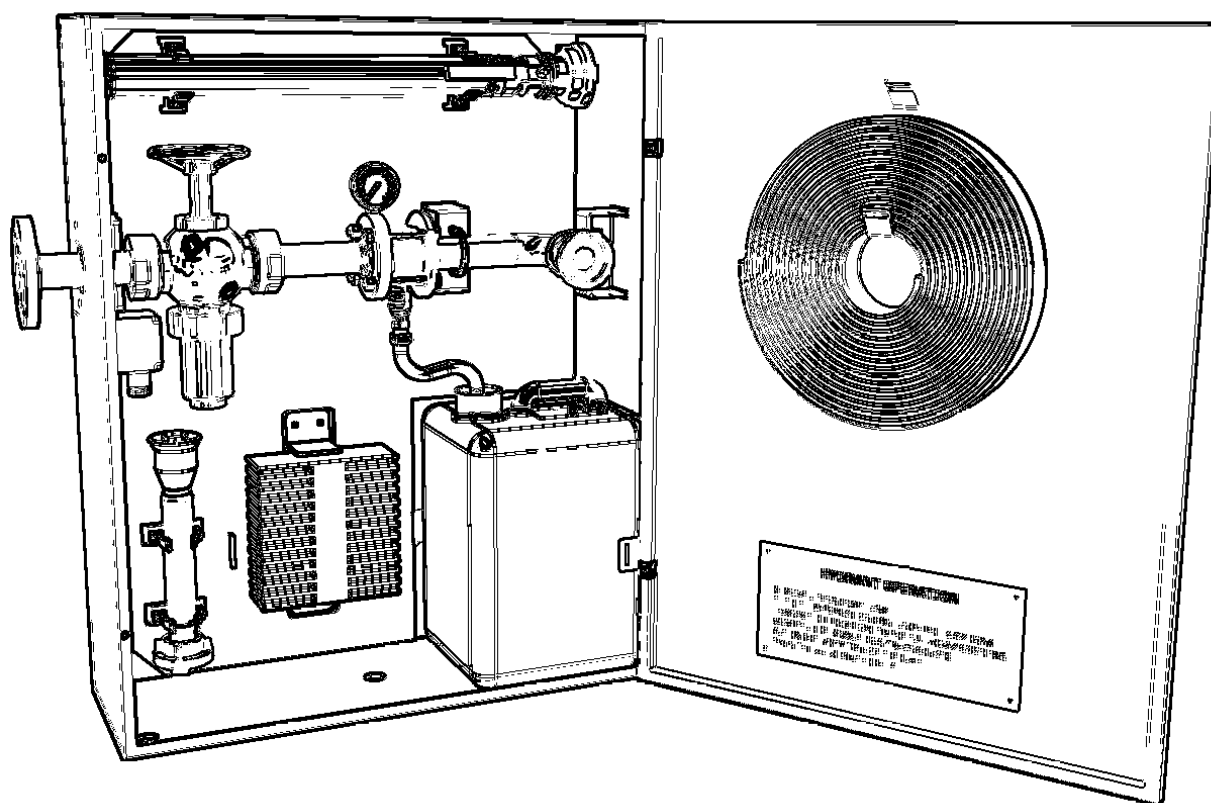


Data sheet for

MATRE HYDRANT CABINET



Matre Maskin AS

5420 Rubbestadneset, Norway

Tel. +47 53 42 77 44

E-mail: company@matre.no

Web: www.matre.no

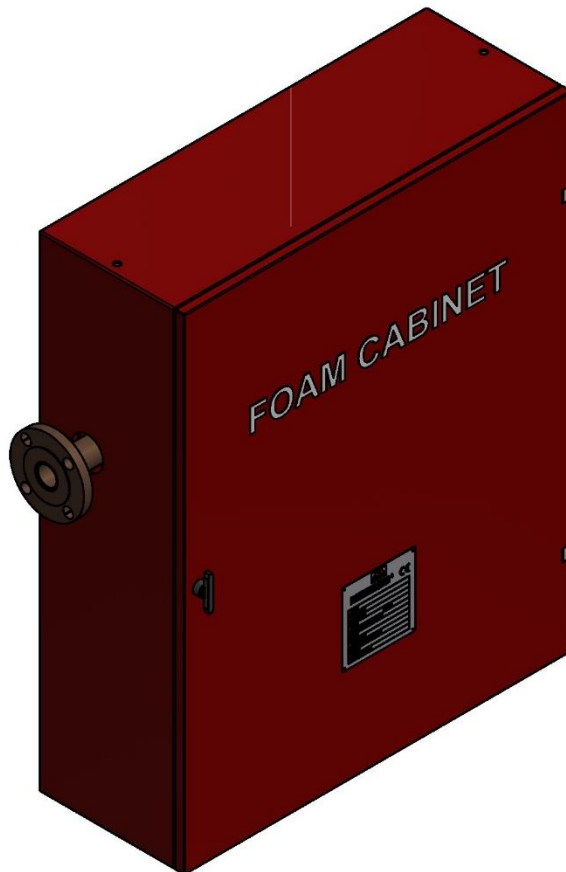


Datasheet for MATRE Hydrant cabinet

1 Contents

2	General product information.....	3
3	Cabinet containment.....	3
4	General specification.....	4
4.1	Current models.....	4
5	Dimensions	5
6	Lifting.....	5
7	Footprint and installation.....	6

2





2 General product information

Matre Hydrants for foam insertion to hand operated hose line is designed using the highest standards. The solid simple design gives long lasting reliable equipment. The cabinet complies with CAP 437 requirements.

3 Cabinet containment

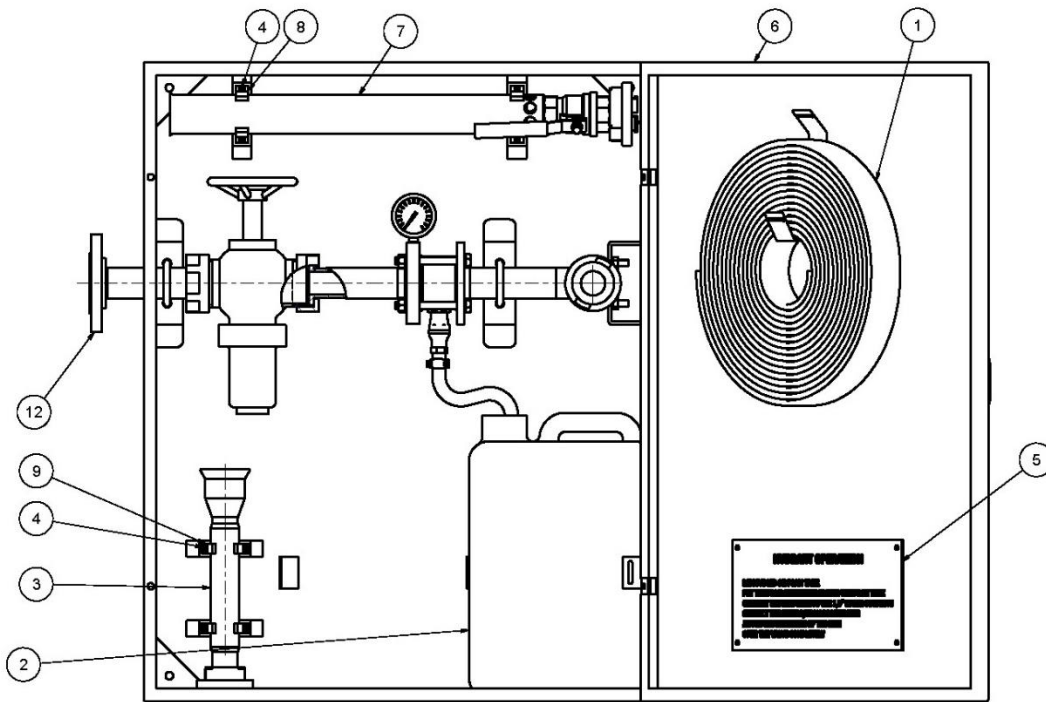
Water line:

Inlet valve with pressure regulator

Inductor for foam insertion

Pressure gauge

Hose coupling STORTZ C



1	12	2" ANSI / DN50 - 150# - 1 1/2" NPT
1	11	NAMEPLATE 150X150
1	10	HYDRANT CABINET 250l 1%
2	9	NOZZLE CLAMP Ø 45
2	8	FOAM PIPE CLAMP Ø 60
1	7	FOAM BRANCH PIPE FINISH DRILLED
1	6	HYDRANT CABINET DOOR RIGHT
1	5	SIGN, DIFFS OPERATION INSTRUCTION
8	4	SCREW SOCKET HEAD M5X10
1	3	V16 UNIFIRE NOZZLE
1	2	FOAM CAN 25L AFFF 1%
1	1	FIRE HOSE 1 1/2" L=25M
Qty.	Pos.	Name / Type



4 General specification

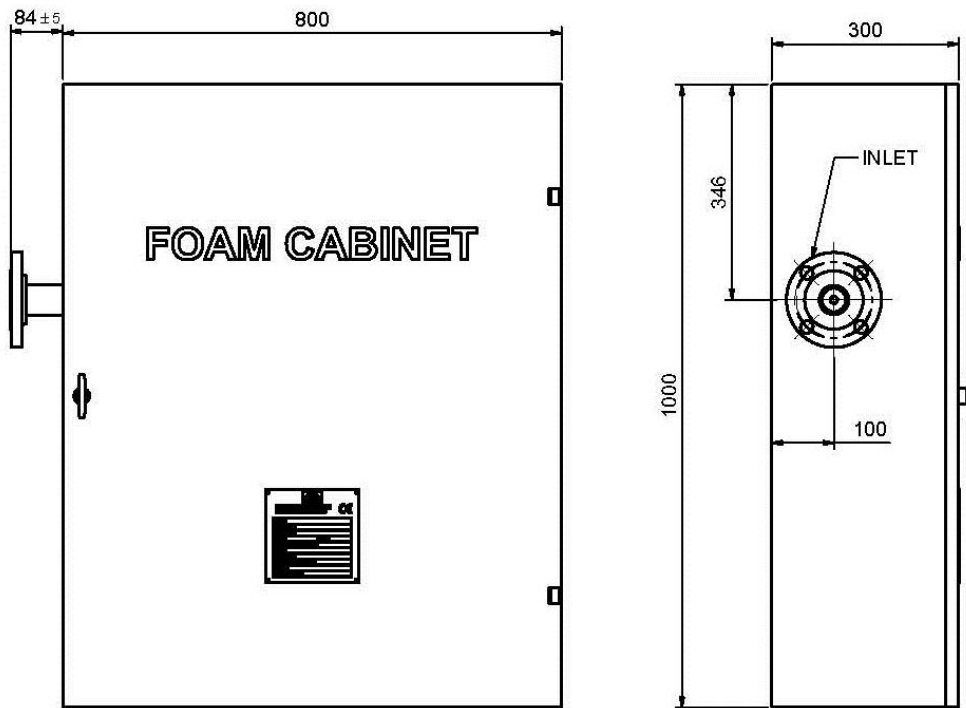
Characteristics	Standard	Options
Material	Cabinet AISI 316L Inductor BS 1400 LG2 Water line Cu/Ni 90/10 Nozzles Stainless Steel Foam tank Original foam container	
Cabinet surface treatment	Norsok system 6	
Interface for water supply	DIN PN16 ANSI 16.5 150 lb	On request
Design pressure	20 bar	
Design flow	250 l/min	
Test pressure	30 bar	
Water pressure range	Minimum 8 bar inlet pressure	
Foam concentrate tank	Minimum 1x 20 liter at 1 % insertion rate Minimum 2 x 25 liter at 3% insertion rate	
Insertion rate	Nominal 1% (Within 1% - 1,3%) Nominal 3% (Within 3% - 3,9%) (Tolerance according to NFPA 11)	
Door	Hinged door left handed and right handed	
Installation requirements	Minimum inlet pressure is 8 bar The cabinet must be installed using the Upper holes on the back of the cabinet in addition to either minimum the two lower holes or the 4 in the bottom	

4.1 Current models

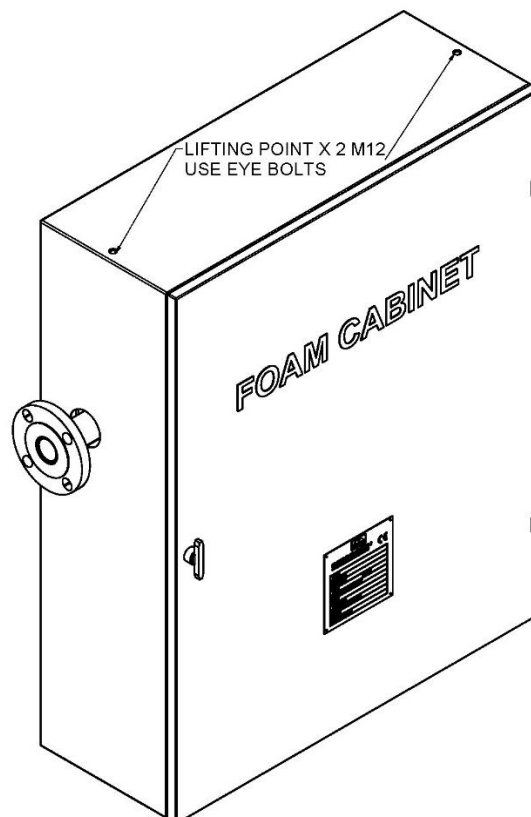
Item no	Inlet interface	Insertion rate	Door	Heating
8329	DN50 PN16 2" ANSI 150 lb	1%	Right Hand	No
8617	DN50 PN16 2" ANSI 150 lb	1%	Left hand	No
8669	DN50 PN16 2" ANSI 150 lb	1%	Right Hand	Yes
8671	DN50 PN16 2" ANSI 150 lb	1%	Left Hand	Yes
8698	DN50 PN16 2" ANSI 150 lb	3%	Right Hand	No
8697	DN50 PN16 2" ANSI 150 lb	3%	Left hand	No
9443	2" JIS	1%	Right Hand	No
8669	2" JIS	1%	Left Hand	No



5 Dimensions



6 Lifting





7 Footprint and installation

