



Davits for rescue boats



NORWEGIAN
maritime equipment

MARITIME

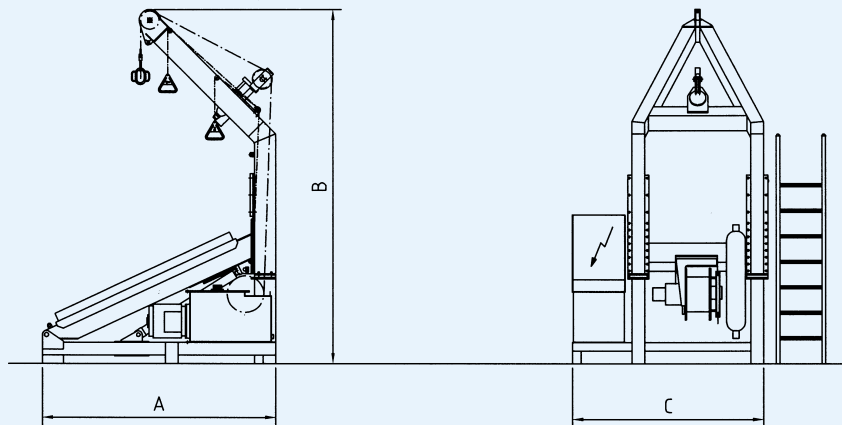
OFFSHORE

The worldwide marketplace

Fast Rescue Boat Davit

- The Fast rescue boat davit is designed for long time operation in a highly corrosive marine environment.
- The Fast rescue boat davit is equipped with a hydraulic driven winch. The winch is also equipped with a system for gravity lowering which can be operated from inside the rescue boat as well.
- Turning out of the davits is done hydraulically and it has stored power for turning out the davits in "dead ship" condition.
- The davits are equipped with a shock absorber.
- The davits also have a wave compensation system.
- As an option the davit type PRH30 and 40 can be delivered with an anti pendulum system.

Type.:	SWL.:	Hoisting speed.:	A	B	C
PRH - 20	2000 kgs	48 m/min	2175mm	3265mm	2240mm
PRH - 30	3000 kgs	48 m/min	2750mm	4200mm	2270mm
PRH - 40	4000kgs	48 m/min	3485mm	4760mm	2270mm



Shock absorber



Hydraulic piping



Control cabinet



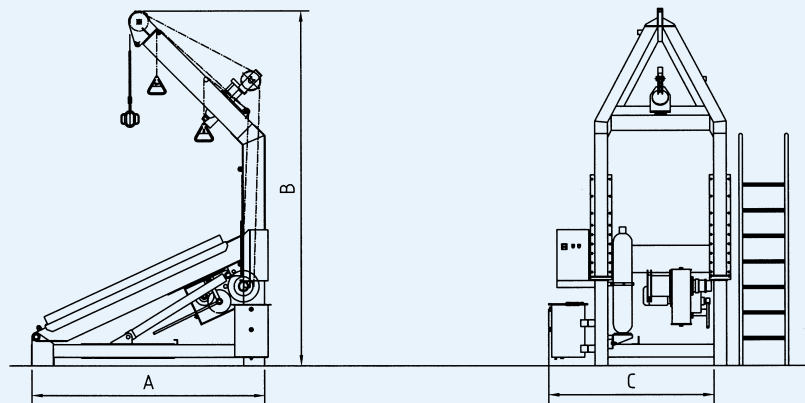
Power pack and control Cabinet



Rescue Boat Davit

- The rescue boat davit is designed for long time operation in a highly corrosive marine environment.
- The rescue boat davit is equipped with an electrically driven winch. The winch is also equipped with a system for gravity lowering which can be operated from inside the rescue boat as well.
- Turning out of the davits is done hydraulically and it has stored power for turning out the davits in "dead ship" condition.
- The davits are also equipped with a Shock absorber.

Type.:	SWL.:	Hoisting speed.:	A	B	C
PRHE - 20	2000 kgs	18 m/min	2175mm	3265mm	2070mm
PRHE - 30	3000 kgs	18 m/min	2750mm	4200mm	2100mm



General

- The electrical equipment is suitable for open deck applications, i.e. IP56. All electrical motors are equipped with anti condensation heating elements.
- The davit is delivered as a complete-, fully tested unit-, adjusted and ready for installation onboard vessel by bolting/welding to the substructure. After connection of the power cable to the starter box, and filling necessary oil/grease, the davit is ready to be used.
- Other models and sizes can be made available upon your request.

Stainless steel piping



Operation handles



Stainless steel control panel



Power pack and control Cabinet





Safety Equipment

- Lifeboats—totally enclosed / partially enclosed / open • Freefall Lifeboats
- Rescue / Fast Rescue Boats • Davits - ships and rig davits / single arm / liferaft davits

Deck Equipment

- Deck Cranes • Offshore Cranes • A-frames • Winches -diesel / hydr. / electric / air
- Windlasses • Capstans

Other Equipment

- Anchors • Chains • Reverse Osmosis Plants • Sewage Treatment Plants
- Tunnel thrusters • Accommodation Modules • Firefighting Systems
- Purifiers • Fenders • Various Maritime / Offshore Equipment

Manufacturing and supply
Installation

Rental
Service

NORWEGIAN
maritime equipment

P.O Box 244, 5480 Husnes, Norway
Tel. +47 53 47 95 00 Fax + 47 53 47 34 99
www.nme.no E-mail: nme@nme.no

The worldwide marketplace