



No. 1
in maritime equipment

NORMAR[®]

Rescue Boats



Member of the Strømme Group

STROMME

NORWEGIAN
maritime equipment

MARITIME

OFFSHORE

Manufacturing Rental Installation Service

See next page

New price competitive Rescue boat in the NorMar safety range.

Norwegian Maritime Equipment AS has extended their range of rescue boats with a small model designed for outboard propulsion. The boat, denominated Normar 425, is a well balanced GRP rescue boat with a capacity of six (6) persons. The overall length is 4.25m, breadth 1.84m and weight 316 kg (ex. engine and fuel).

The stability of the boat is ensured by the particular design, as the outer and inner hulls are shaped in separate mould, then connected to shape the seats and buoyancy tanks. The buoyancy tank provides sufficient buoyancy to float the boat at flooded condition with all persons onboard.

The boat can be delivered with or without engine, and has a full SOLAS and BV-EC approval. The Normar 425 is the latest rescue boat model on the market, and probably the most competitive of its kind.

Specifications mod. 425

Type & Model

Type : GRP Rescue
Model : NorMar 425

No. of Lifeboat

Standard supply per ship :
One(1) boat/shipset

Inspection & Certificate

Inspection & certificate : BV - EC

Rules and regulations

The equipment fully complies with the latest SOLAS requirements and LSA Code. The equipment will be certified by Bureau Veritas in accordance with the European Council Directive 96/98 EC on Marine Equipment (M.E.D).

Technical particular

- Main dimension:
 - Length (overall) 4.25 m
 - Length (mld.) 3.00 m
 - Breadth (overall) 1.84 m
 - Breadth (mld.) 0.96 m
 - Depth (mld.) 0.75 m
 - Buoyancy tube dia. 0.42 m
- No. of persons: 6 p (max)
- Boat weight with equipment without engine & fuel: 316 kg
- Boat weight with equipment, engine & fuel: 409 kg
- Davit load with equipment, engine,

- fuel & 6 p: 859 kg
- Speed: ≥ 6 knots
- Proposed engine: Outboard gasoline Model Mercury 25 HP
- Fuel capacity 50 L
- Weight 51 kg
- Starting system: Hand
- Towing force: 135 kg

Engine and accessories

The boat is proposed to fit an outboard gasoline engine (25 ~ 30 Hp). There are two portable fuel tanks of 25 litres for boat running at least for 4 hours at the speed of over 6 knots with 6 persons.

Console

Console is fitted at the stern at the position of helmsman. The main operation can be carried out from this place. The following equipment is fitted on the console:

- (1) Steering gear
- (2) Remote control for engine
- (3) Search light
- (4) Compass
- (5) Painter release device

Hook device

A four-point sling arrangement is fitted and connected with boat by fall. Its safetyworking load is 1500 kg.

Right facility

A kind of buoyant material of rigid foam

is fitted at the stern, ensure that the rescue boat is capable of being righted by not more than two persons when it is inverted in the water.

Construction

The main parts are laminated in independent moulds. All the materials are carefully checked and tested for laminate in order to ensure the boat to support the load inservice. The outer hull and inner hull are shaped in separate mould, then connected to shape the seats and buoyancy tank. The buoyancy tank provides sufficient buoyancy to float the boat at flooded condition with all the persons onboard.

Electrical equipment

The boat is equipped with two independent chargeable batteries, a charger is supplied by the manufacturer. The switches for search light and compass are fitted on the console.

Equipment

A painter release hook is fitted at the bow. Buoyant lifelines and grips are fitted on both sides. All the equipment required by LSA are provided.

Guarantee

The rescue boat is guaranteed for twelve (12) months after delivery of the ship.

Technical Data

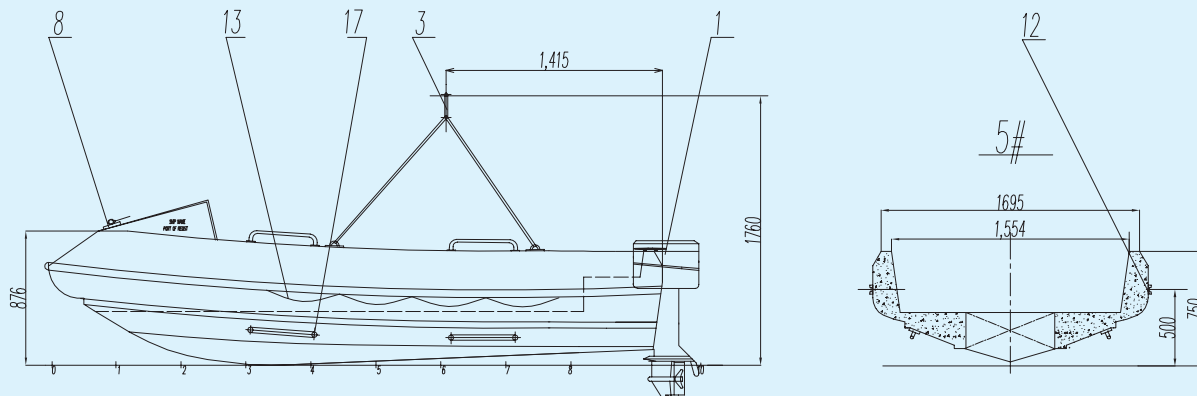
NORMAR®
Rescue Boats



Rescue 425

Technical Data: NorMar Rescue Boats

Model	Dimension (M)	Person	Speed (Knts)	Boat Weight w/equipment (KG)	Davit load incl. 6 persons (KG)
Rescue 425 (25 hp)	4.25x1.84x0.75	6	6	316	859
Rescue 500 (30 hp)	5.00x1.86x0.90	6	6	653	1103
Rescue 500 (60 hp)	5.00x1.86x0.90	6	20	726	1176



- 1 Engine
- 2 Cleat
- 3 Lifting sling
- 4 Boat hook
- 5
- 6 Position Light
- 7 Reflex
- 8 Painter release
- 9 Bilge pump
- 10 Fire extinguisher
- 11 Paddles
- 12 Fender
- 13 Life line
- 14 Seat
- 15 Drain plug
- 16 Hatchet
- 17 Self-righting rail
- 18 Lifting seat
- 19 Fuel oil tank

Offices around the world in the Strømme group

We are supplying the maritime industrial sector on a worldwide scale, having operations in 9 countries around the world as member of the Strømme group, and other partners. Our main clients are Ship owners and Ship management companies, Ship yards, Offshore operations and Exploration companies.

Offices:

Norway, Husnes

Phone +47 53 47 95 00
Fax +47 53 47 34 99
E-mail: nme@nme.no

Norway, Oslo

Phone +47 67 52 60 60
Fax +47 67 52 60 50
E-mail: stromme@stromme.no

United Kingdom

Phone +44 12732 32 1212
Fax +44 1273 32 1171
E-mail: sales@stromme.co.uk

The Netherlands

Phone +31 181 60 3599
Fax +31 181 60 3533
E-mail: madsen@stromme-madsen.nl

Germany

Phone +49 40 30 97 880
Fax +49 40 30 97 8840
E-mail: sales@hoffship.de

Poland

Phone +48 58 623 6145
Fax +48 58 664 3737
E-mail: sales@stromme-its.pl

France

Phone +33 328 593 997
Fax +33 328 636 637
E-mail: sales@stromme-its.fr

Spain

Phone +34 956 675 200
Fax +34 956 675 118
E-mail: admon@crosscomar.com

Singapore

Phone +65 626 11600
Fax +65 626 11500
E-mail: stromme@stromme.com.sg

USA

Phone +1 860 653 9461
Fax +1 860 653 9457
E-mail: cronkhitestromme@cs.com



NORWEGIAN
maritime equipment

P.O Box 244, 5480 Husnes, Norway
Tel. +47 53 47 95 00 · Fax + 47 53 47 34 99
E-mail: nme@nme.no **www.nme.no**

Group product range

STROMME

Marine equipment

- NorMar Lifeboats, Davit
- NorMar Rescueboats, FRC, Davit, Liferafstdavit
- NorCranes
- NorWater Reverse Osmosis System
- NorFifi equipment
- Fenders
- Anchor – Chains
- Accommodation Modules
- Fire, Rescue, Safety products (FRS)
- Maintenance equipment
- SMC Stromme Marine compressors
- Maxi-Clean High pressure cleaning equipment
- Maxi-Clean cargo hold cleaning equipment
- Tools & Workshop equipment

Marine spare parts

- Eurospares Division:
- Leading supplier of OEM and/or equivalent spare parts for European made marine equipment.

Marine service

- Fire, Rescue and Safety Service
- Mechanical and Electrical Repairs
- Steel and Pipe fitting at anchorage in port
- In-Place generator cleaning

Marine & offshore supplies

- Deck & Engine stores
- Provisions
- Bonded stores
- Marine Chemicals
- Medical supplies
- Warehousing
- Logistics