

APPLICATIONS

Typical application for this fan is mechanical ventilation of hazardous zones and cargo tanks onboard ships. To be mounted into tank openings on deck.

DESIGN

The MPV-A1EGSX is designed primarily for mechanical ventilation of cargo tanks and other places where explosive fumes occur. The fan is spark proof with a water driven or compressed air driven motor.

EXECUTION

Fan casing consists of sea water resistant aluminium in a heavy-duty design. The propeller is made of salt- and ammonia resistant aluminium or reinforced polypropylene. Aerodynamically shaped and balanced. The wire mesh guard is made of stainless steel.

The MPV-A1EGSX can be delivered in the range from size no 300 to size no 500. PCD diameter can be adjusted to suit customers' requirements.

MOTOR

Seawater or compressed air driven.

CLASSIFICATION SOCIETIES

The fan satisfies the demands of the various classification societies.

ACCESSORIES (water driven fan)

- Trolley
- Waterhoses inlet/outlet
- Collapsible air duct

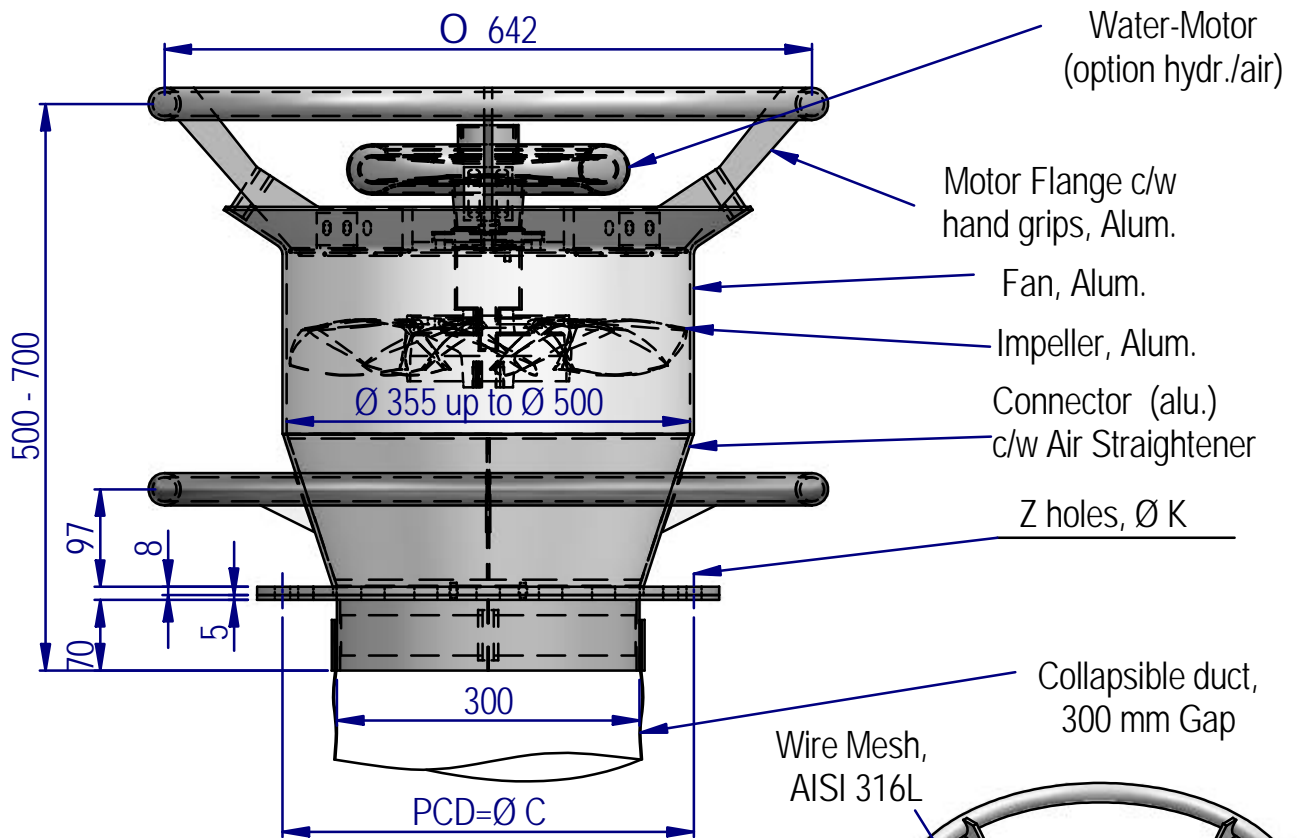
ACCESSORIES (air driven fan)

- Trolley
- Air hose, drive air
- Air filter / oiler
- Collapsible air duct

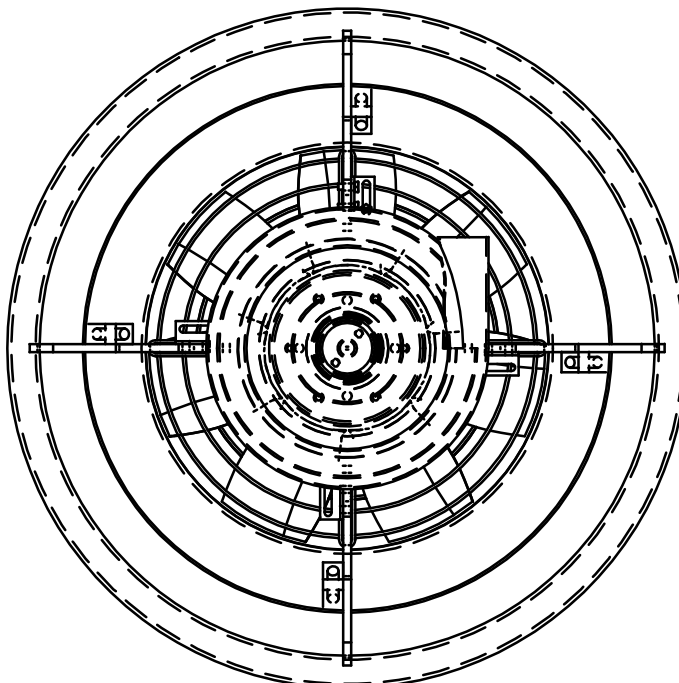
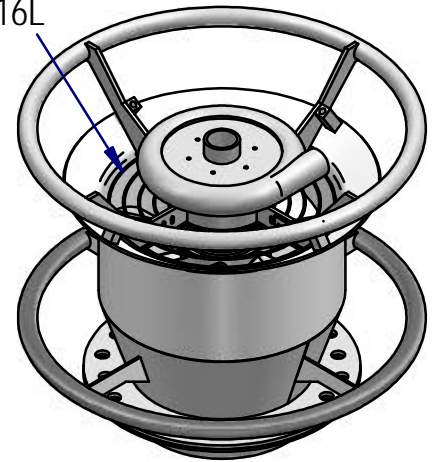


PORTABLE GAS FREEING FAN

MPV - A1EGSX



Dimensions for PCD (C) and Size and No. of holes in flange (Z,K) can be adjusted to meet customer's requirements.



Fan size	Weight fan with motor [kg]
350	25
400	26
450	27
500	28
Trolley (option)	11,5
Air motor (option)	+1

4-2158

N Y B O R G A S

R.Berge
12/09-03,
rev. 27.05.04

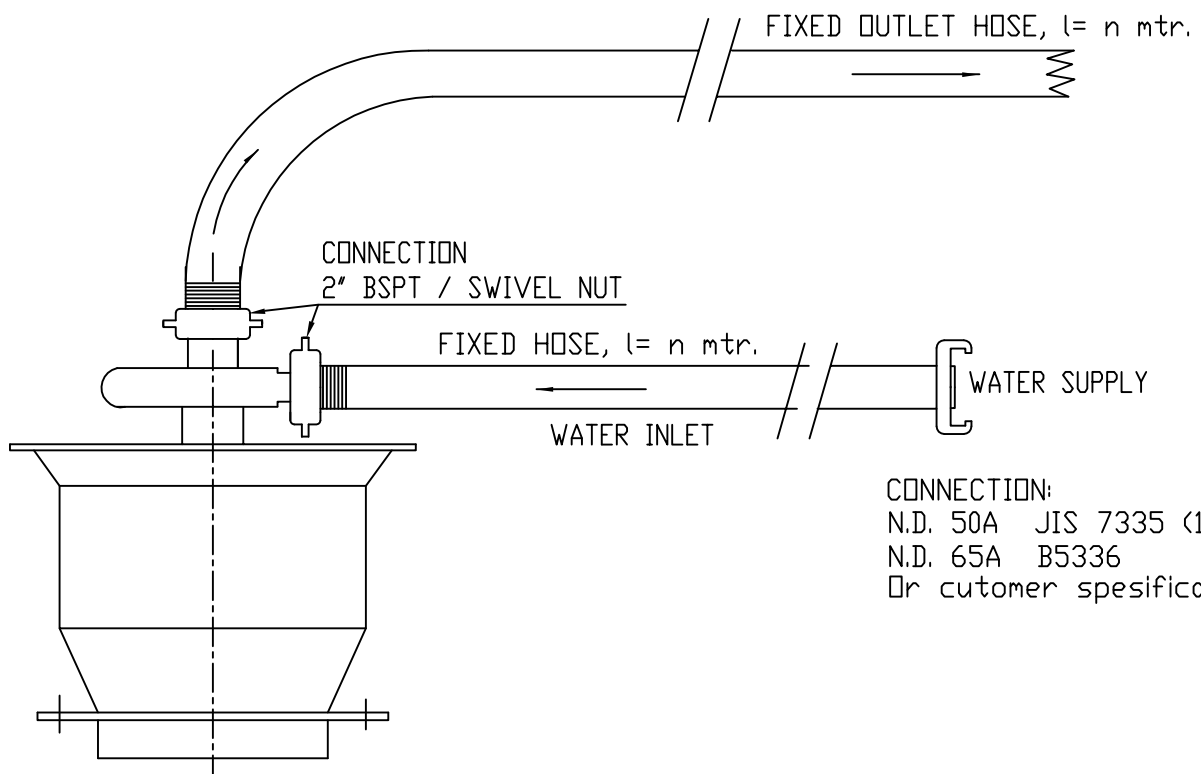
N-6230 SYKKYLVEN, NORWAY
TEL +47 70 25 40 80 - FAX +47 70 25 29 08
office@nyborgfan.com - www.nyborgfan.com

MPV - A1EGSX



PORTABLE GAS-FREEING FAN
ARRANGEMENT HOSES, PRINCIPLE SKETCH

MPV 300/450
A1EGSX



CONNECTION:
N.D. 50A JIS 7335 (1116)/
N.D. 65A B5336
Or customer specification

Date : 05.03.98

Tegn : 4-1324

Name : M.Berge

N Y B O R G A S

N-6230 SYKKYLVEN - NORWAY

Tel: +47 70 25 40 80 - Fax +47 70 25 29 08

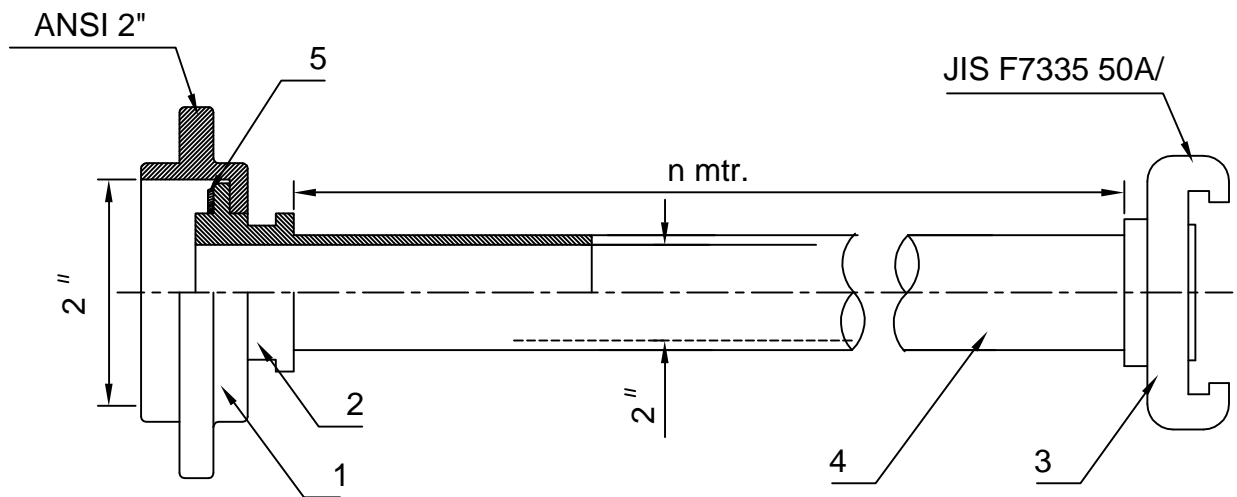
E-MAIL: office@nyborgfan.com - WEB: www.nyborgfan.com

MPV 300/450
A1EGSX



WATER INLET HOSE

MPV 300/450
A1EGSX



5	1	Packing	Neopr
4	1	Hose, Armtex	
3	1	Nakajima joint	Brass
2	2	Hose nipple	Brass
1	1	Swivel nut	Brass
Item	Qty	Part/Description	Matr.

Date : 05.03.98

Tegn : 4-1327

Name : M.Berge

N Y B O R G A S

N-6230 SYKKYLVEN - NORWAY

Tel: +47 70 25 40 80 - Fax +47 70 25 29 08

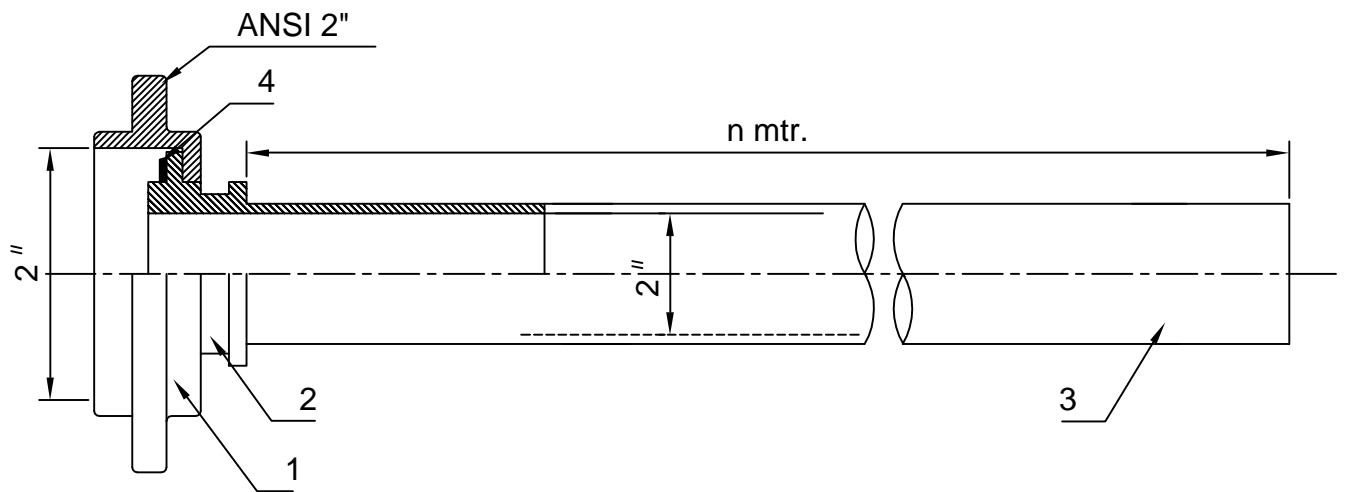
E-MAIL: office@nyborgfan.com - WEB: www.nyborgfan.com

MPV 300/450
A1EGSX



WATER OUTLET HOSE

MPV 300/450
A1EGSX



4	1	Packing	Neopr
3	1	Hose, Heliflat	
2	2	Hose nipple	Brass
1	1	Swivel nut	Brass
Item	Qty	Part	Matr.

Date : 05.03.98

Tegn : 4-1326

Name : M.Berge

N Y B O R G A S

N-6230 SYKKYLVEN - NORWAY

Tel: +47 70 25 40 80 - Fax +47 70 25 29 08

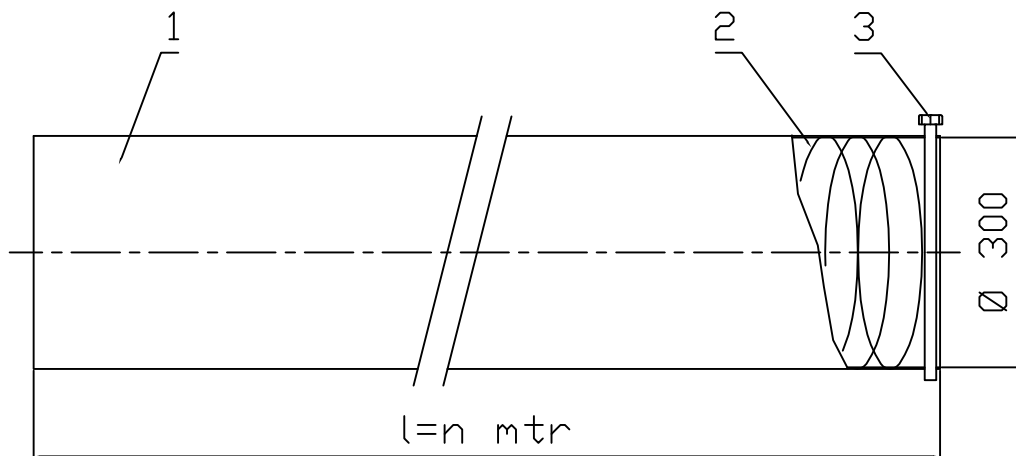
E-MAIL: office@nyborgfan.com - WEB: www.nyborgfan.com

MPV 300/450
A1EGSX



AIR DUCT, COLLAPSIBLE

MPV 300/450
A1EGSX



3	1	Hose clamp	St.37
2	1	Wire reinf.	St.37
1	1	Hose	Nylon
Item	Qty	Part/Descript.	Material

Date : 05.03.98

Tegn : 4-1325

Name : M.Berge

N Y B O R G A S

N-6230 SYKKYLVEN - NORWAY

Tel: +47 70 25 40 80 - Fax +47 70 25 29 08

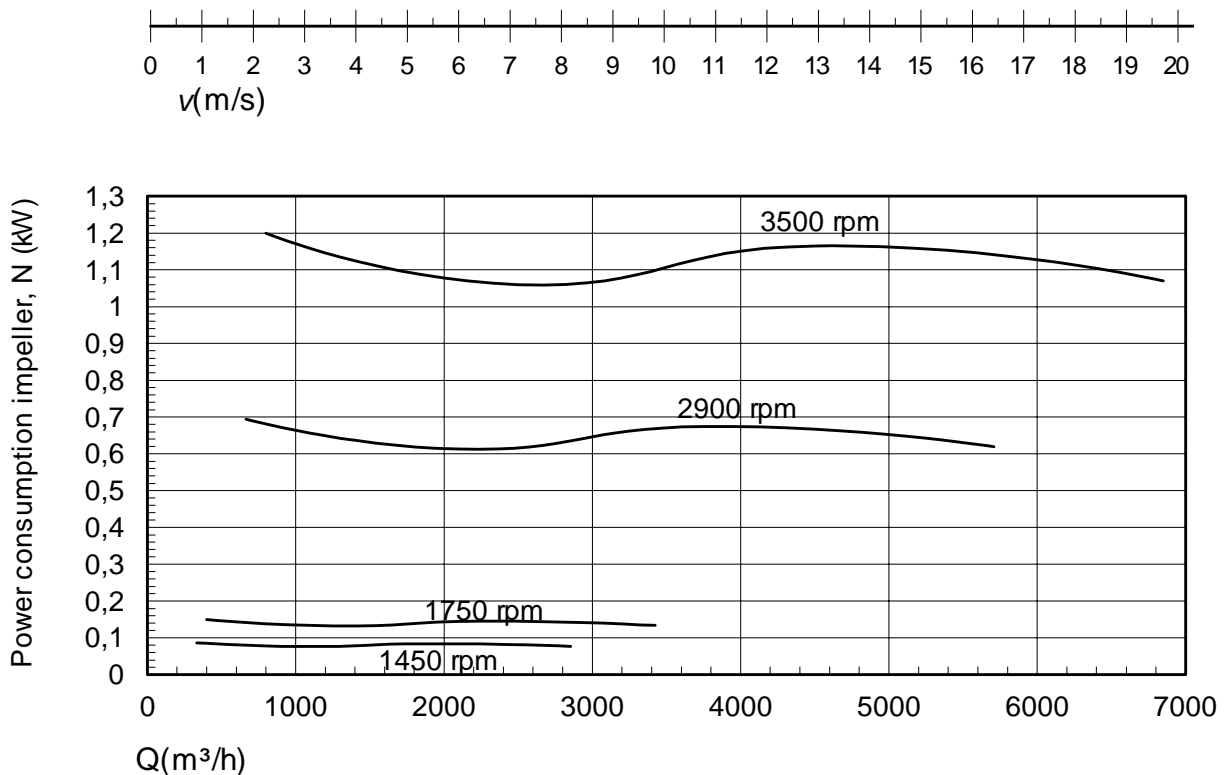
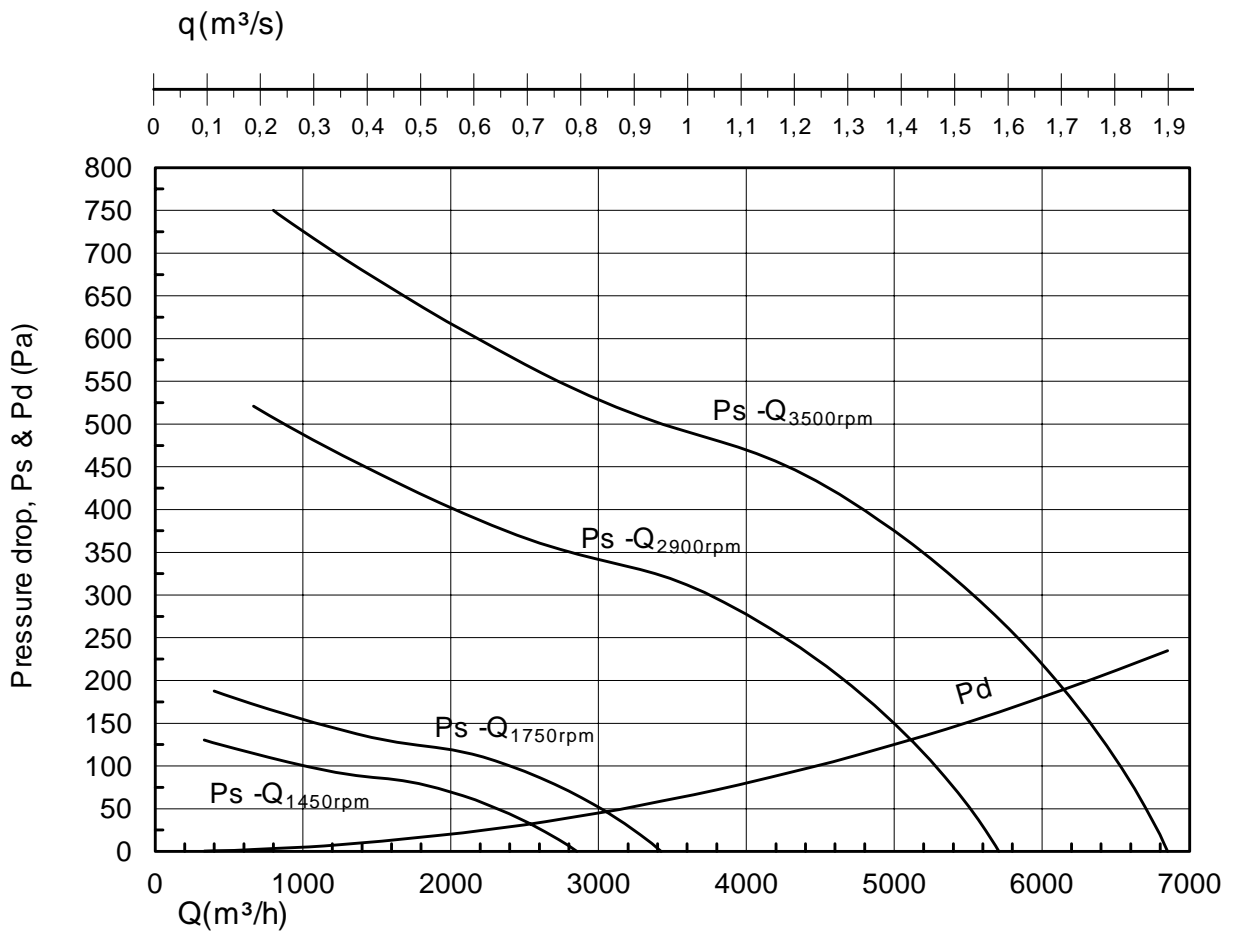
E-MAIL: office@nyborgfan.com - WEB: www.nyborgfan.com

MPV 300/450
A1EGSX



NYBORG AXIAL FLOW FAN PERFORMANCE DATA

MPV 350 A
Imp: A6T / 22



N Y B O R G A S

nyborg12.prs/29

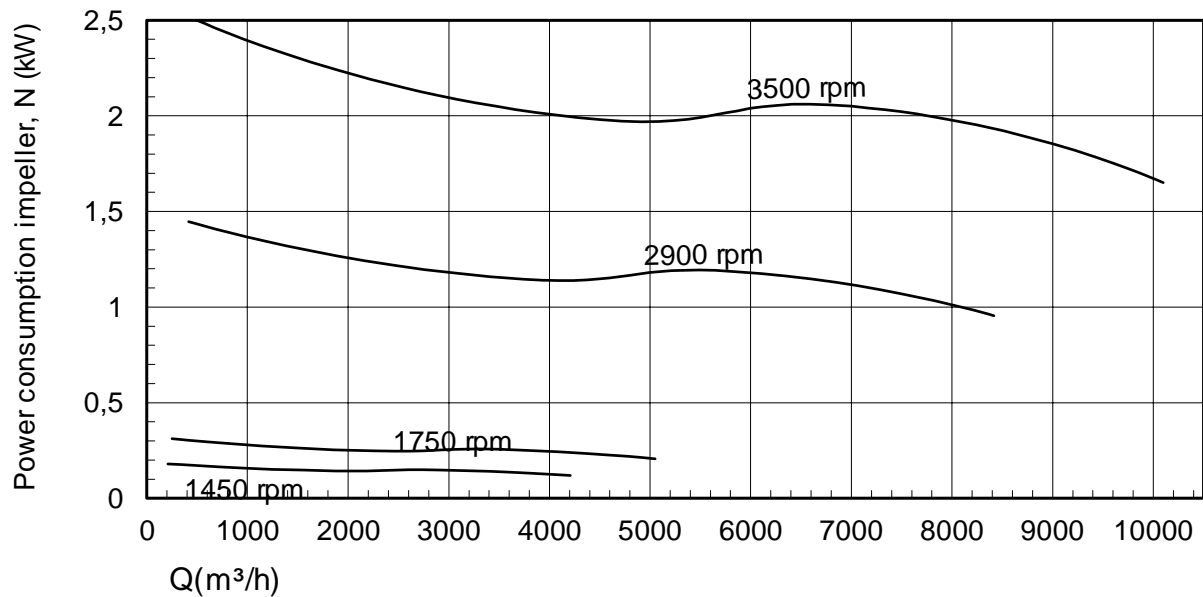
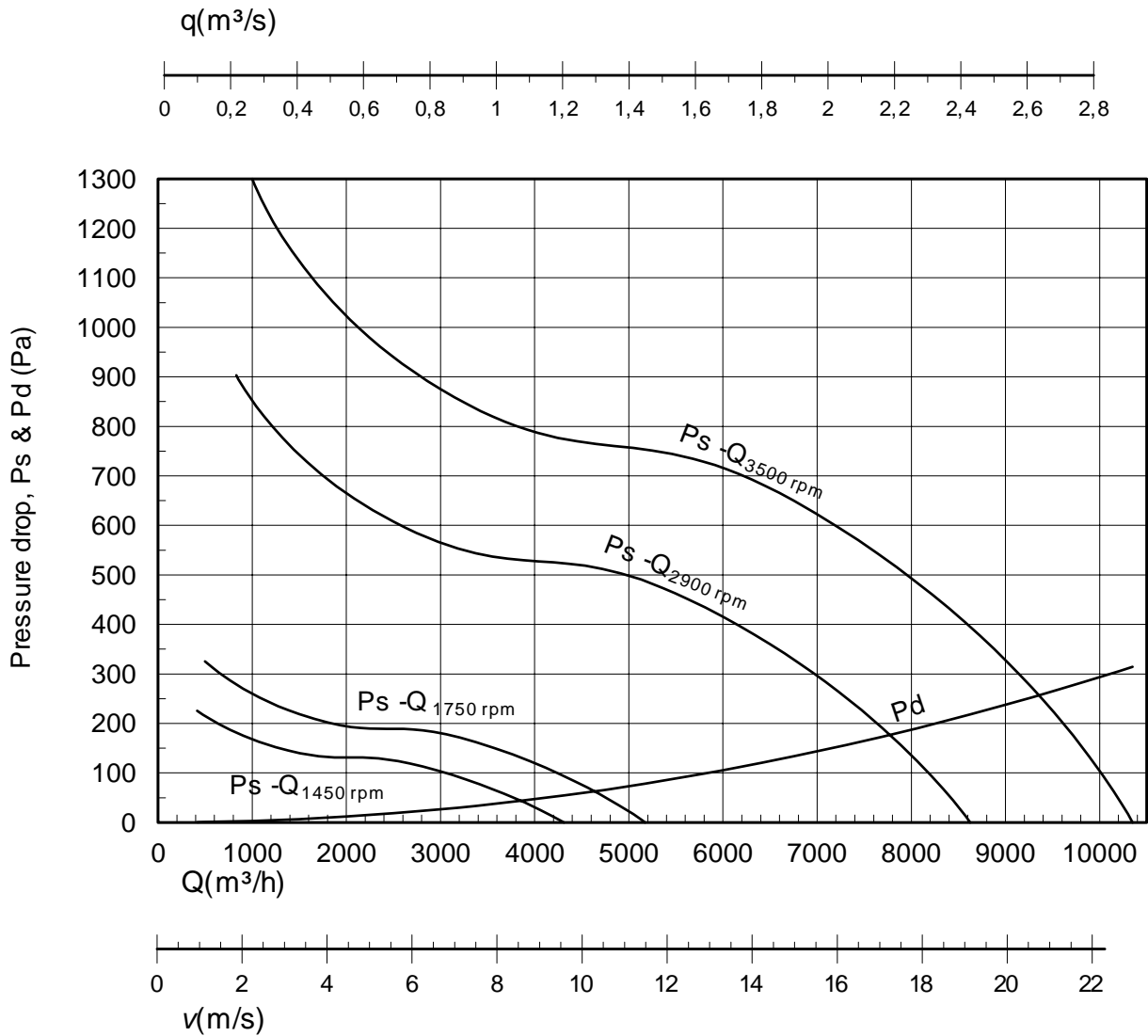
N-6230 SYKKYLVEN, NORWAY
TEL +47 70 25 40 80 - FAX +47 70 25 29 08
E-mail : office@nyborgfan.com - www.nyborgfan.com

MPV 350 A



NYBORG AXIAL FLOW FAN PERFORMANCE DATA

MPV 400 A
Imp: A7T / 22



N Y B O R G A S

nyborg12.prs/38

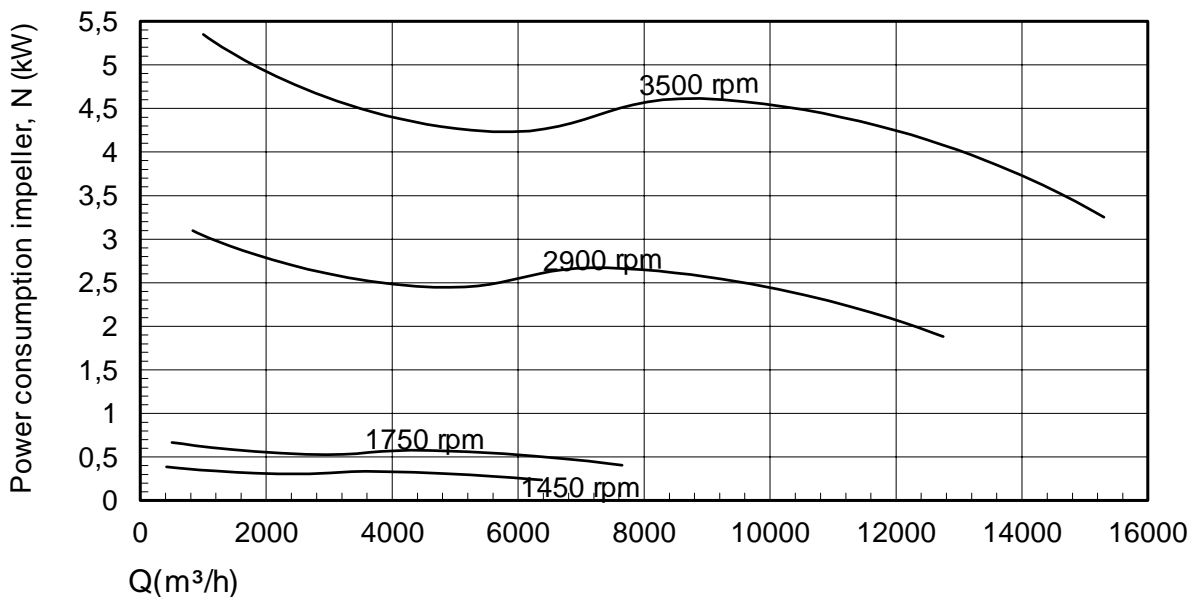
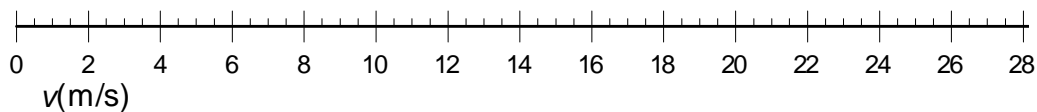
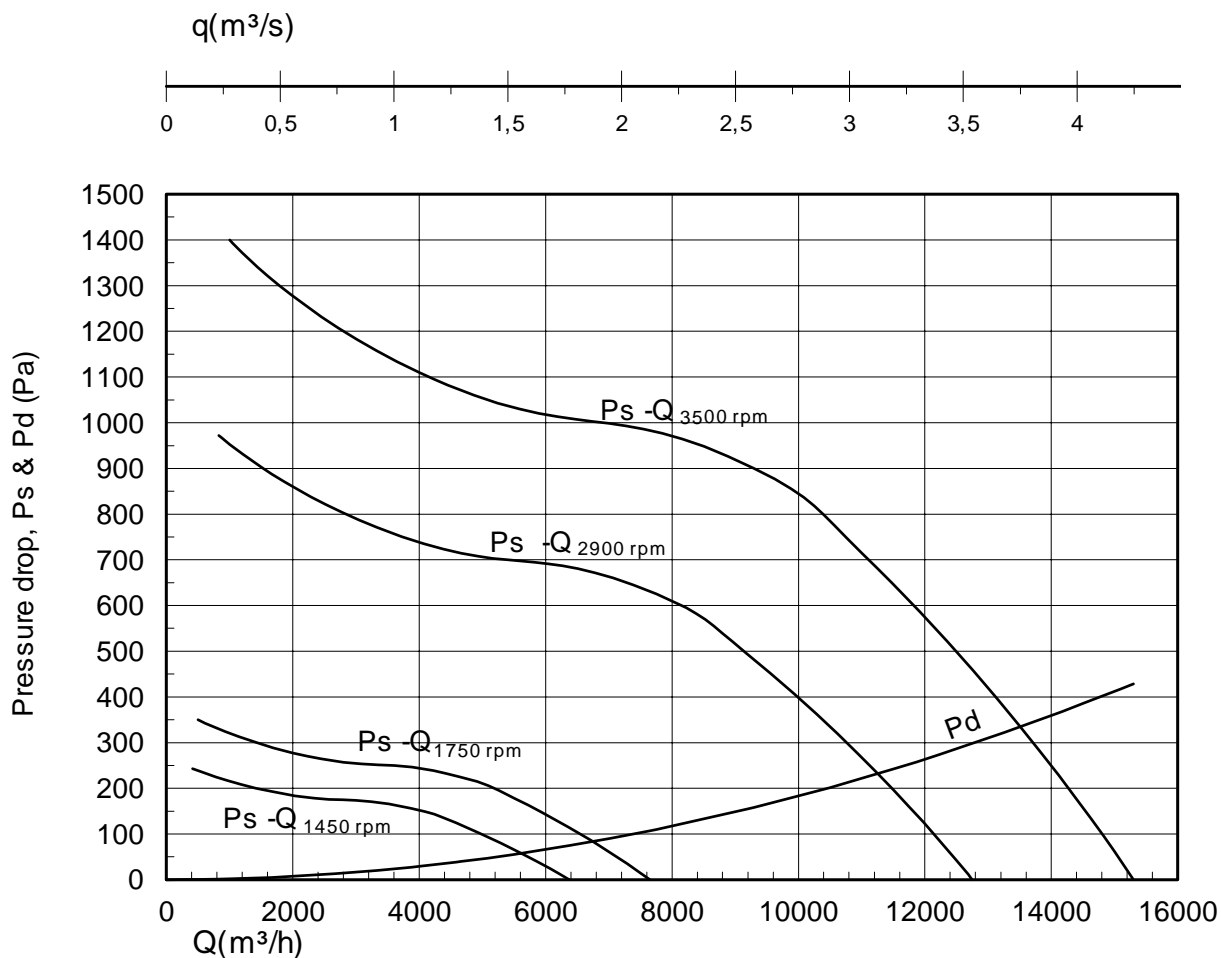
N-6230 SYKKYLVEN, NORWAY
TEL +47 70 25 40 80 - FAX +47 70 25 29 08
office@nyborgfan.com - www.nyborgfan.com

MPV 400 A



NYBORG AXIAL FLOW FAN PERFORMANCE DATA

MPV 450 A
Imp: A7T / 22



N Y B O R G A S

nyborg12.prs/33

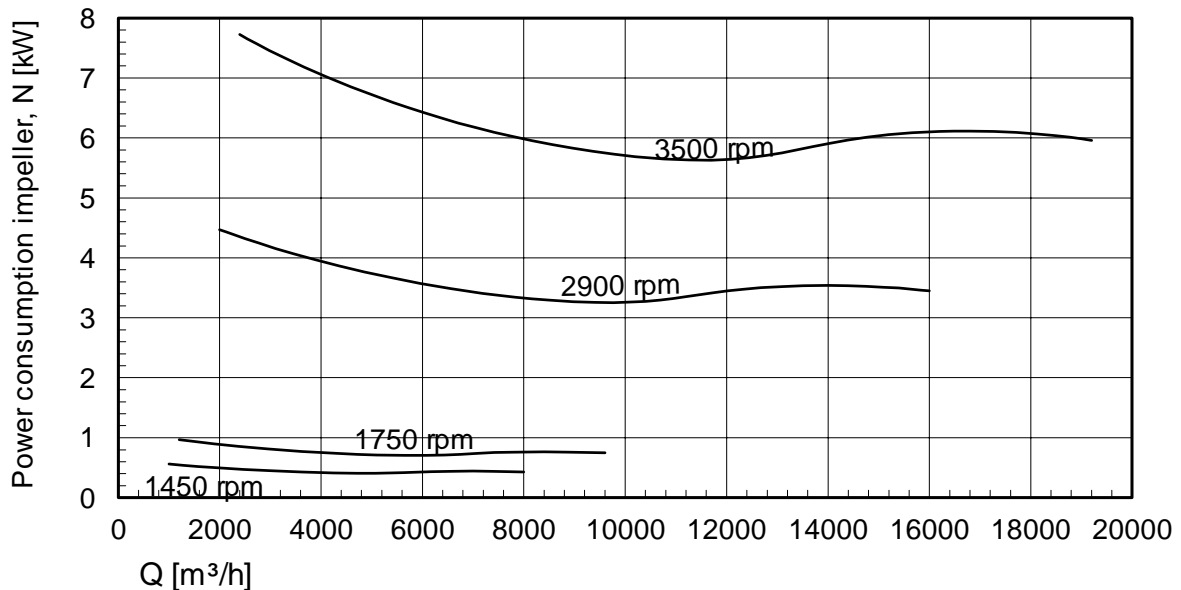
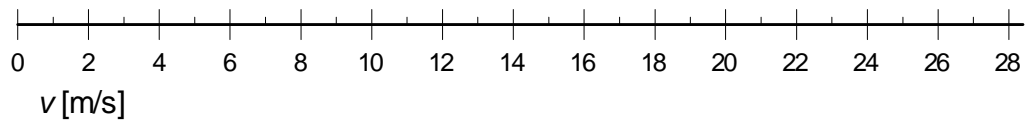
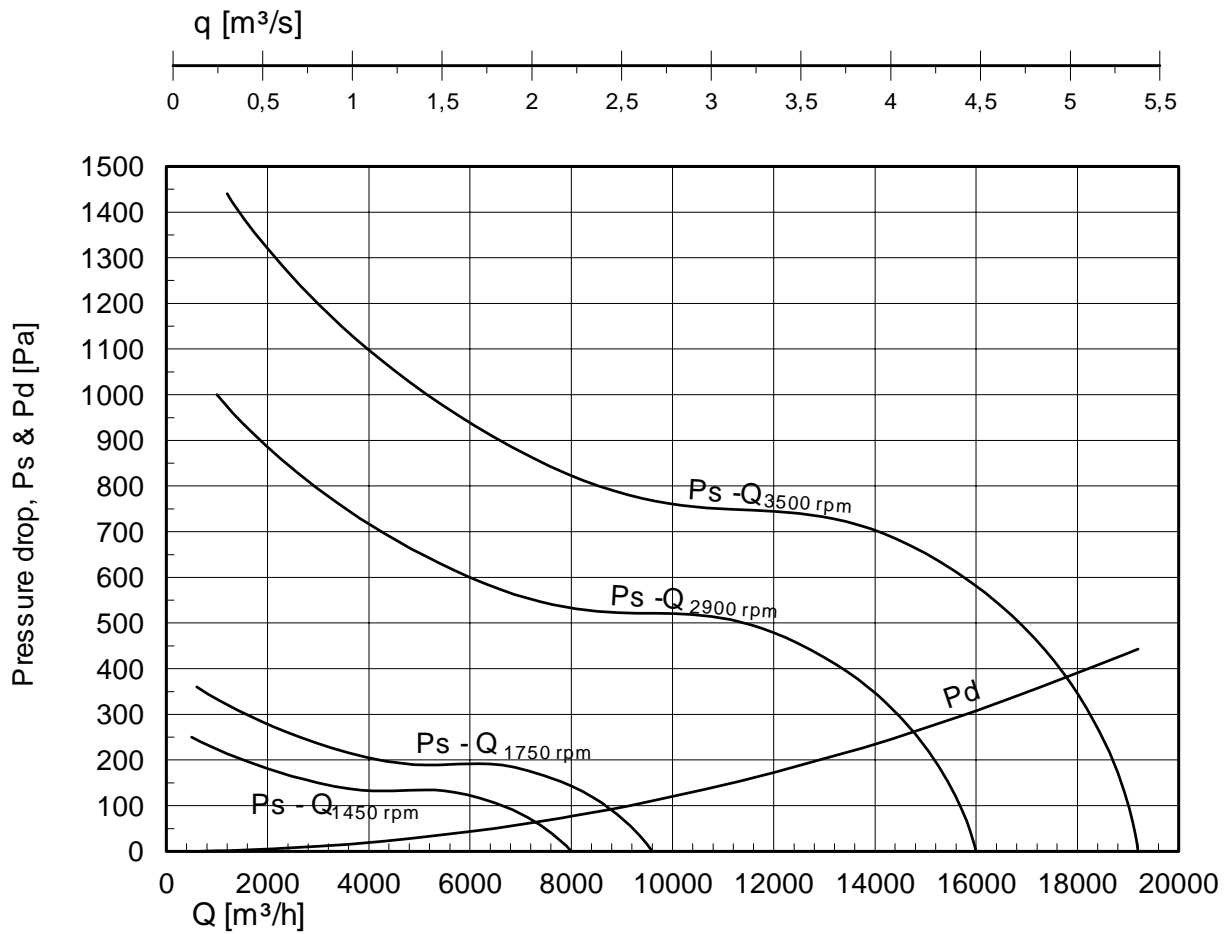
N-6230 SYKKYLVEN, NORWAY
TEL +47 70 25 40 80 - FAX +47 70 25 29 08
office@nyborgfan.com - www.nyborgfan.com

MPV 450 A



NYBORG AXIAL FLOW FAN PERFORMANCE DATA

MPV 500 A
Imp: A7T / 22



N Y B O R G A S

nyborg12.prs/13

N-6230 SYKKYLVEN, NORWAY
TEL +47 70 25 40 80 - FAX +47 70 25 29 08
office@nyborgfan.com - www.nyborgfan.com

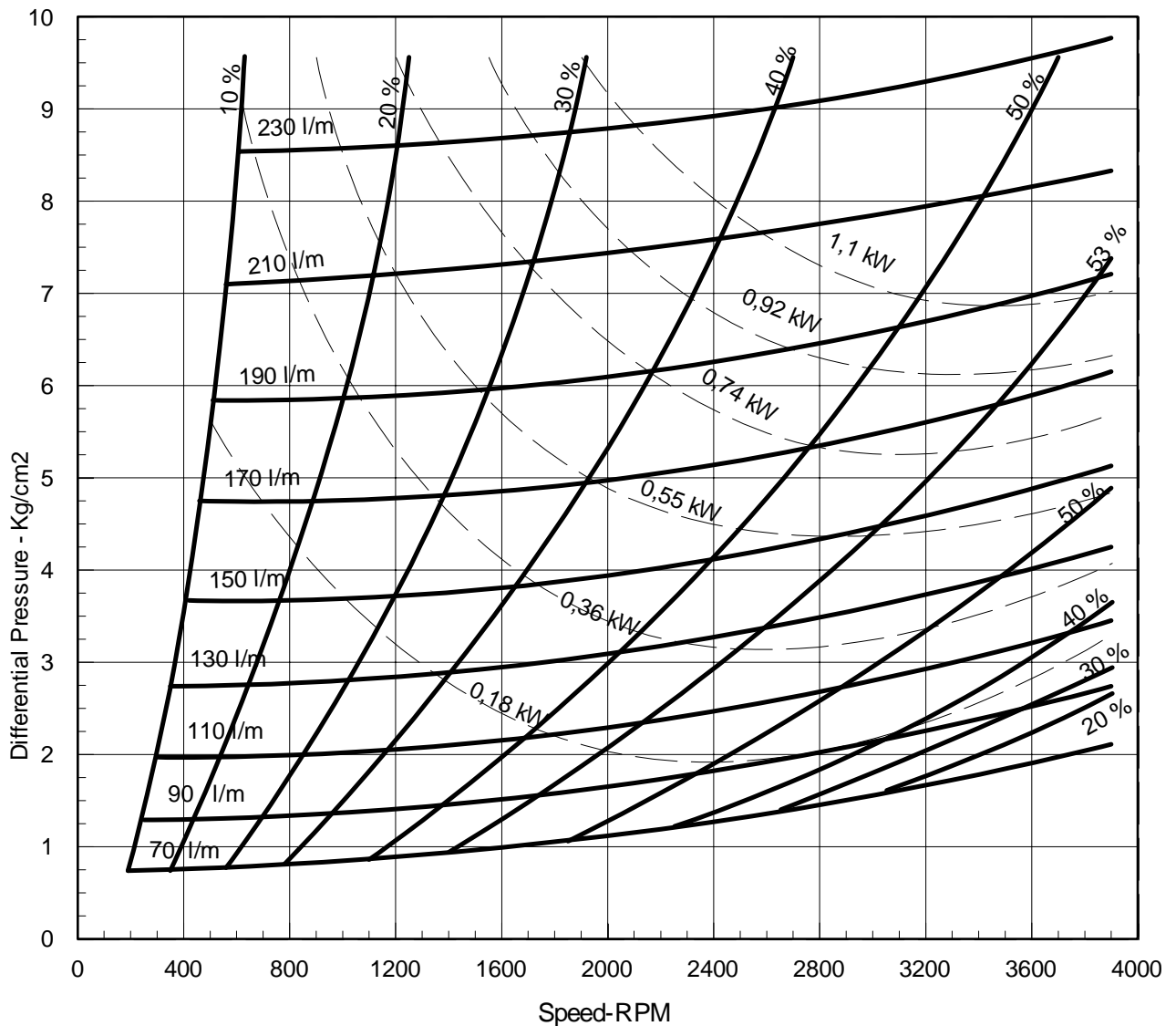
MPV 500 A



NYBORG PORTABLE AXIAL FLOW FAN WATER CONSUMPTION CHART

MPV - A1EGSX

WATER MOTOR : GILKES 3,25F WM 0,10 VENT



N Y B O R G A S

N-6230 SYKKYLVEN, NORWAY
TEL +47 70 25 40 80 - FAX +47 70 25 29 08
office@nyborgfan.com - www.nyborgfan.com

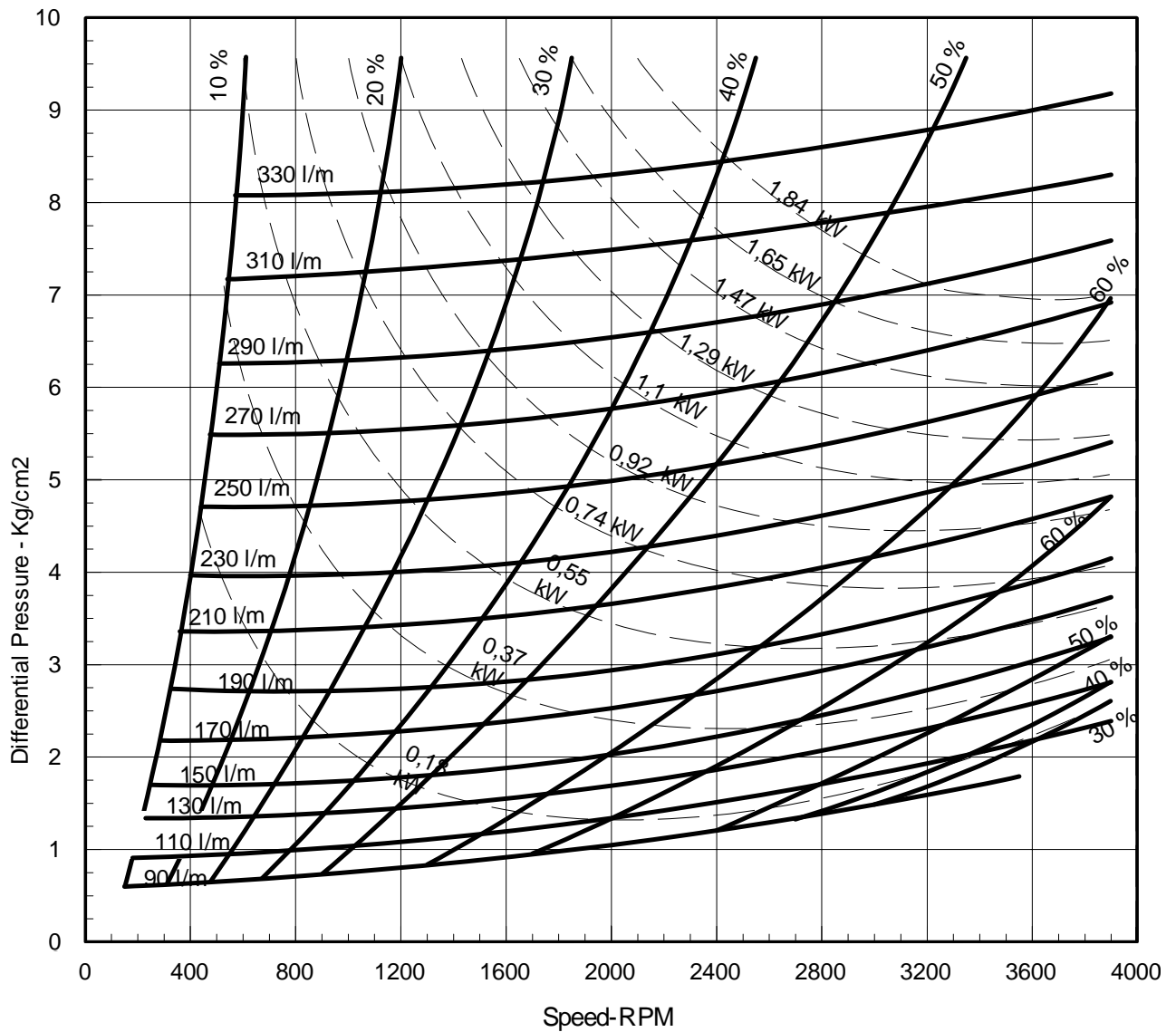
MPV - A1EGSX



NYBORG PORTABLE AXIAL FLOW FAN WATER CONSUMPTION CHART

MPV - A1EGSX

WATER MOTOR : GILKES 3,25F WM 0,15 VENT



N Y B O R G A S

N-6230 SYKKYLVEN, NORWAY
TEL +47 70 25 40 80 - FAX +47 70 25 29 08
office@nyborgfan.com - www.nyborgfan.com

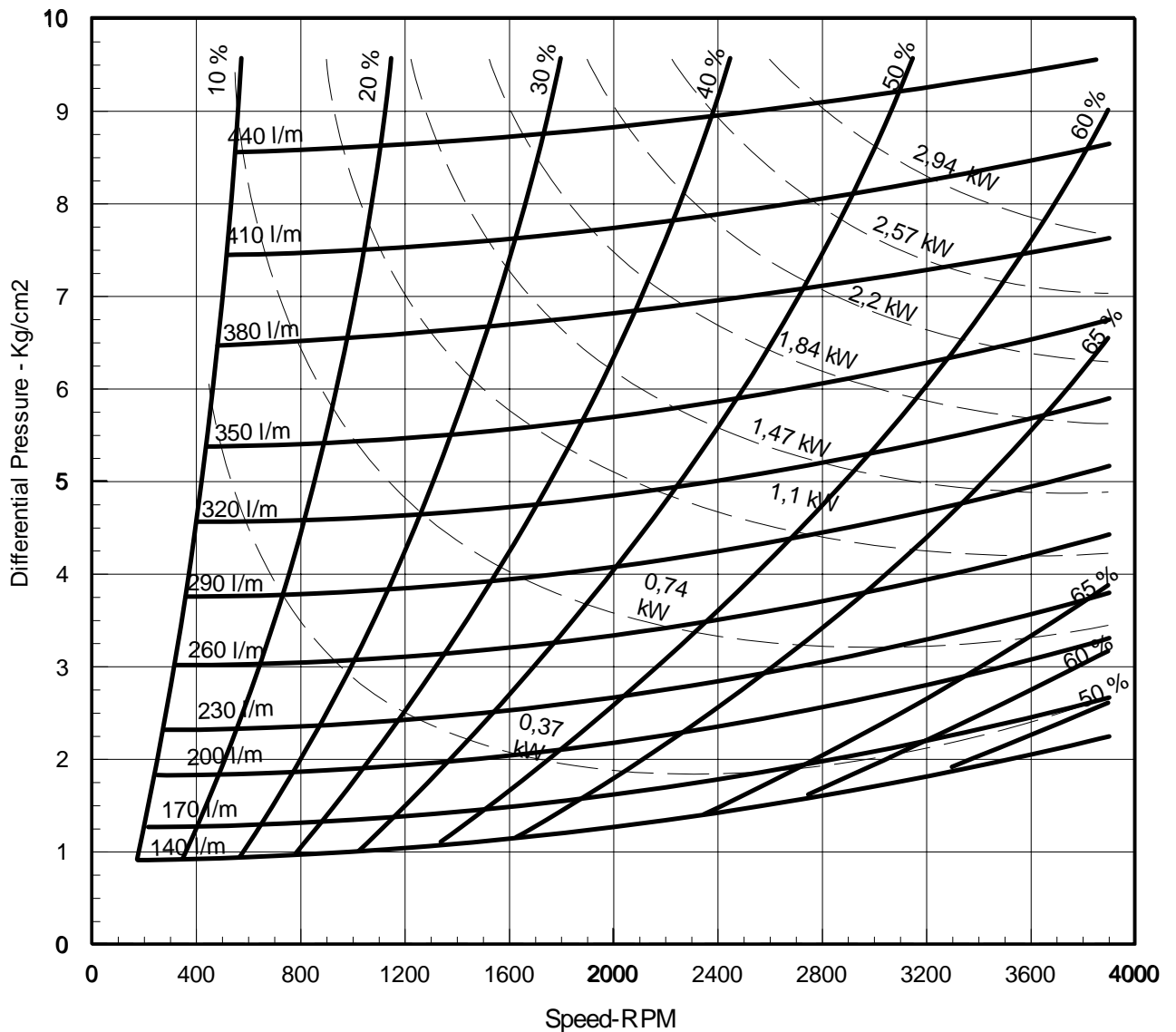
MPV - A1EGSX



NYBORG PORTABLE AXIAL FLOW FAN WATER CONSUMPTION CHART

MPV - A1EGSX

WATER MOTOR : GILKES 3,25F WM 0,20 VENT



N Y B O R G A S

N-6230 SYKKYLVEN, NORWAY
TEL +47 70 25 40 80 - FAX +47 70 25 29 08
office@nyborgfan.com - www.nyborgfan.com

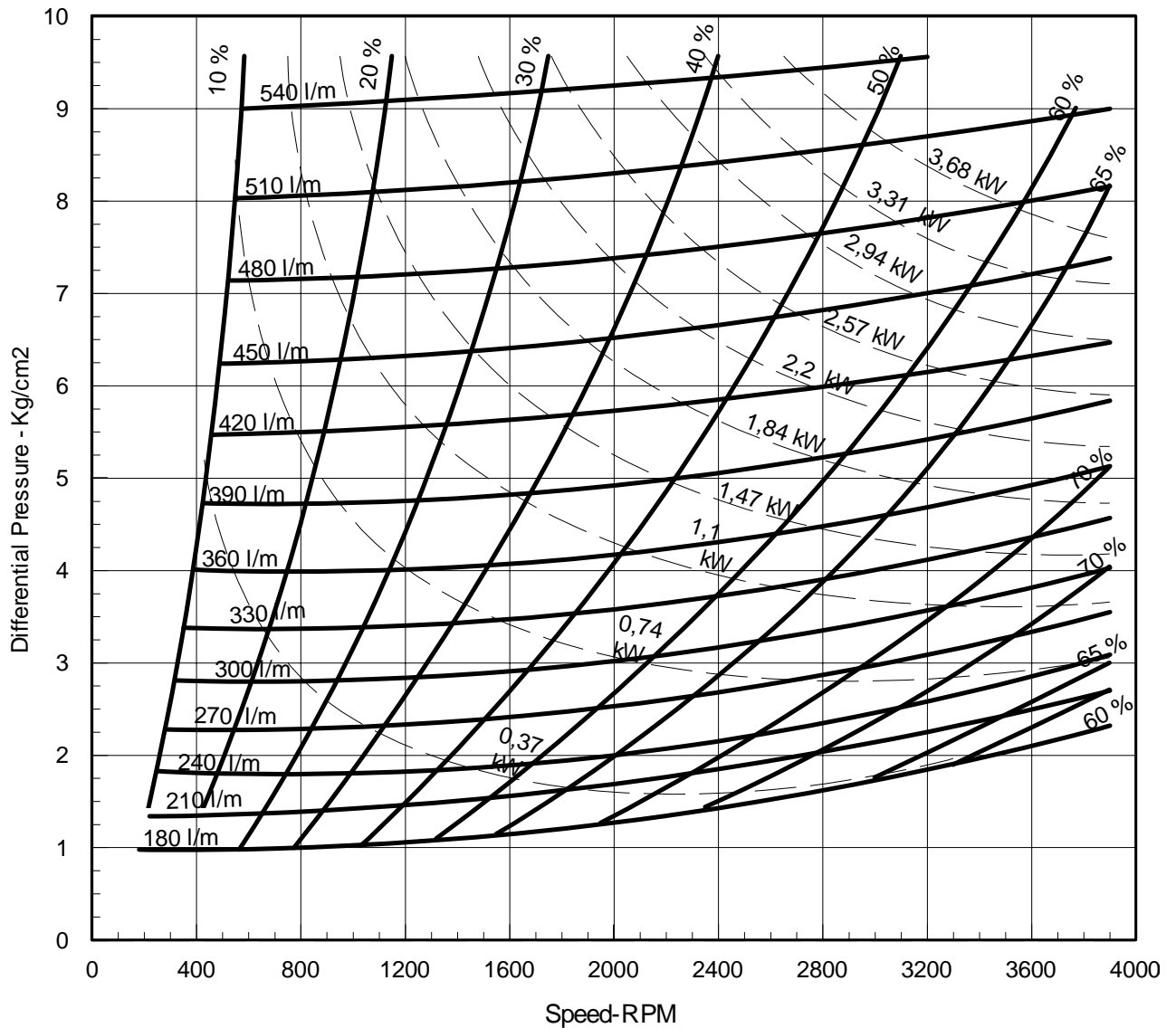
MPV - A1EGSX



NYBORG PORTABLE AXIAL FLOW FAN WATER CONSUMPTION CHART

MPV - A1EGSX

WATER MOTOR : GILKES 3,25F WM 0,25 VENT



N Y B O R G A S

N-6230 SYKKYLVEN, NORWAY
TEL +47 70 25 40 80 - FAX +47 70 25 29 08
office@nyborgfan.com - www.nyborgfan.com

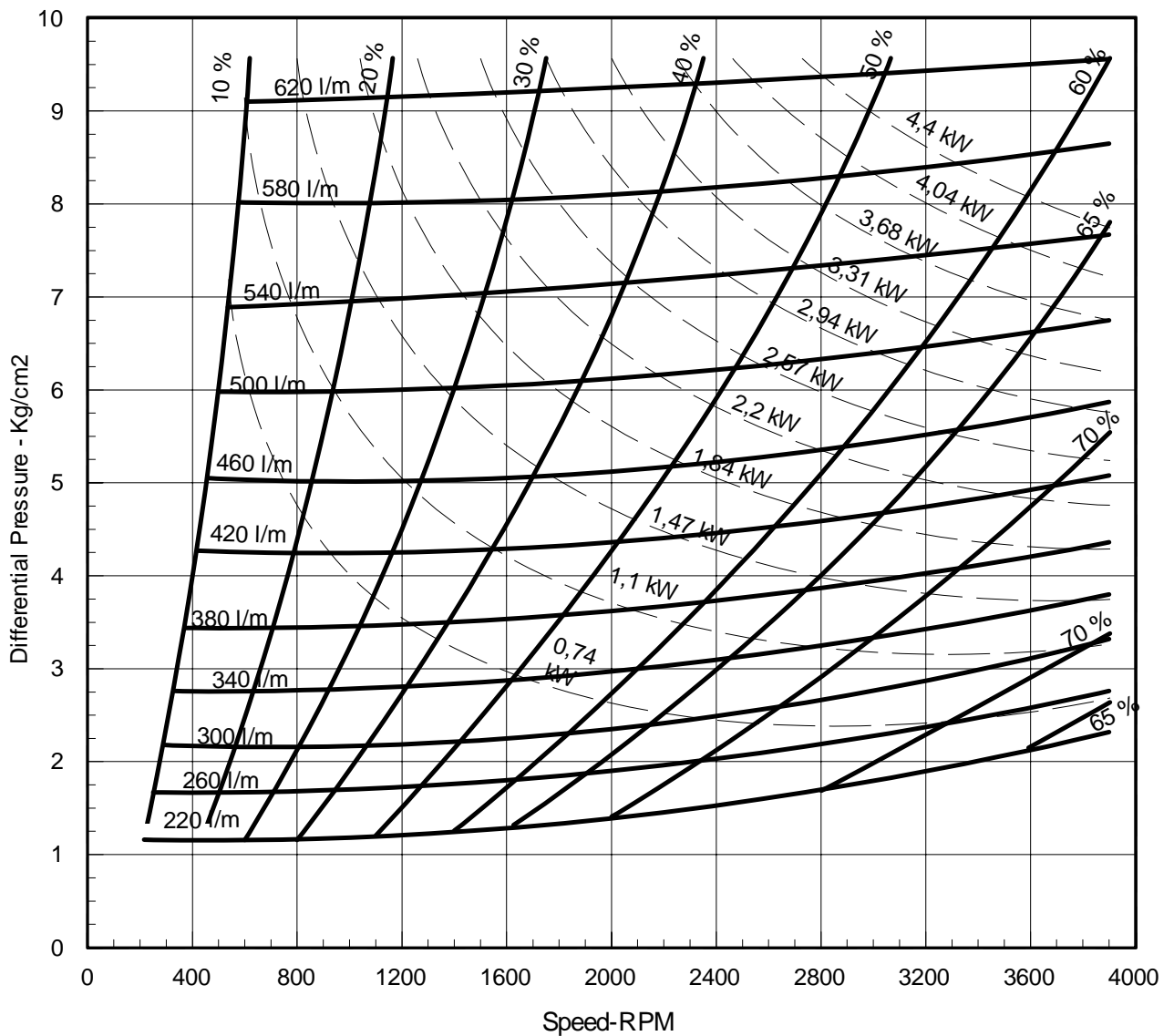
MPV - A1EGSX



NYBORG PORTABLE AXIAL FLOW FAN WATER CONSUMPTION CHART

MPV - A1EGSX

WATER MOTOR : GILKES 3,25F WM 0,30 VENT



N Y B O R G A S

N-6230 SYKKYLVEN, NORWAY
TEL +47 70 25 40 80 - FAX +47 70 25 29 08
office@nyborgfan.com - www.nyborgfan.com

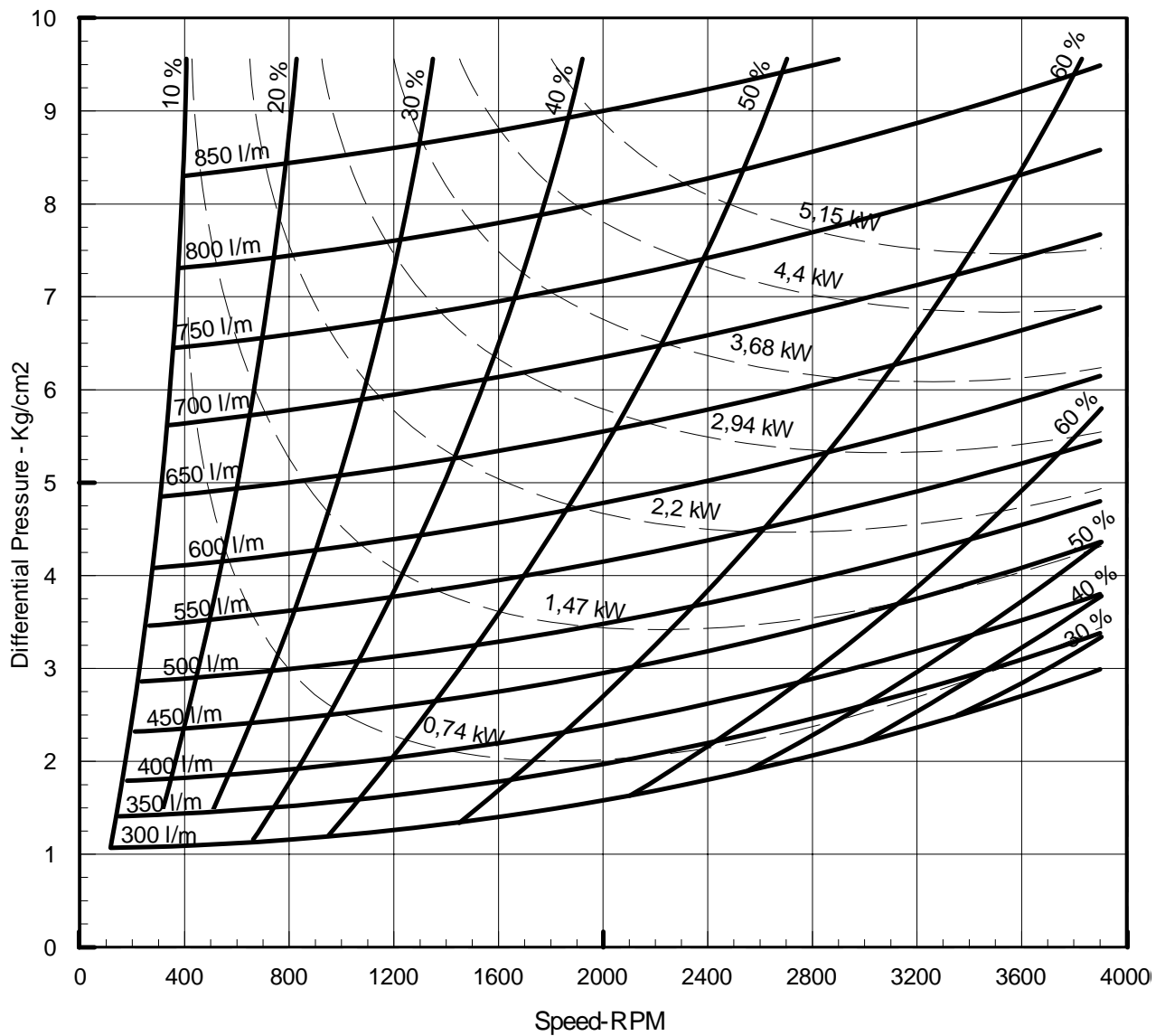
MPV - A1EGSX



NYBORG PORTABLE AXIAL FLOW FAN WATER CONSUMPTION CHART

MPV - A1EGSX

WATER MOTOR : GILKES 4,25F WM 0,10 VENT



N Y B O R G A S

N-6230 SYKKYLVEN, NORWAY
TEL +47 70 25 40 80 - FAX +47 70 25 29 08
office@nyborgfan.com - www.nyborgfan.com

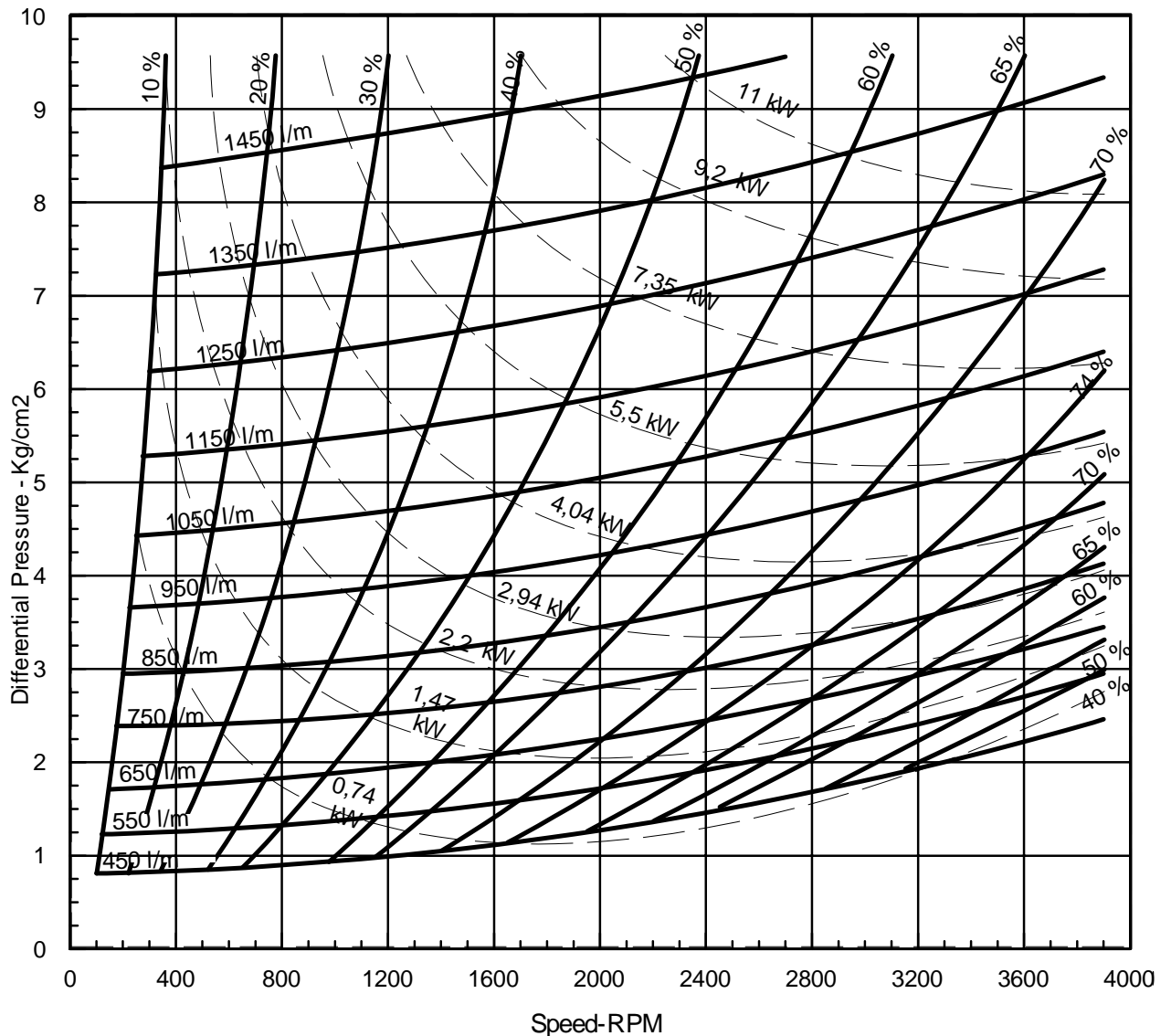
MPV - A1EGSX



NYBORG PORTABLE AXIAL FLOW FAN WATER CONSUMPTION CHART

MPV - A1EGSX

WATER MOTOR : GILKES 4,25F WM 0,20 VENT



N Y B O R G A S

N-6230 SYKKYLVEN, NORWAY
TEL +47 70 25 40 80 - FAX +47 70 25 29 08
office@nyborgfan.com - www.nyborgfan.com

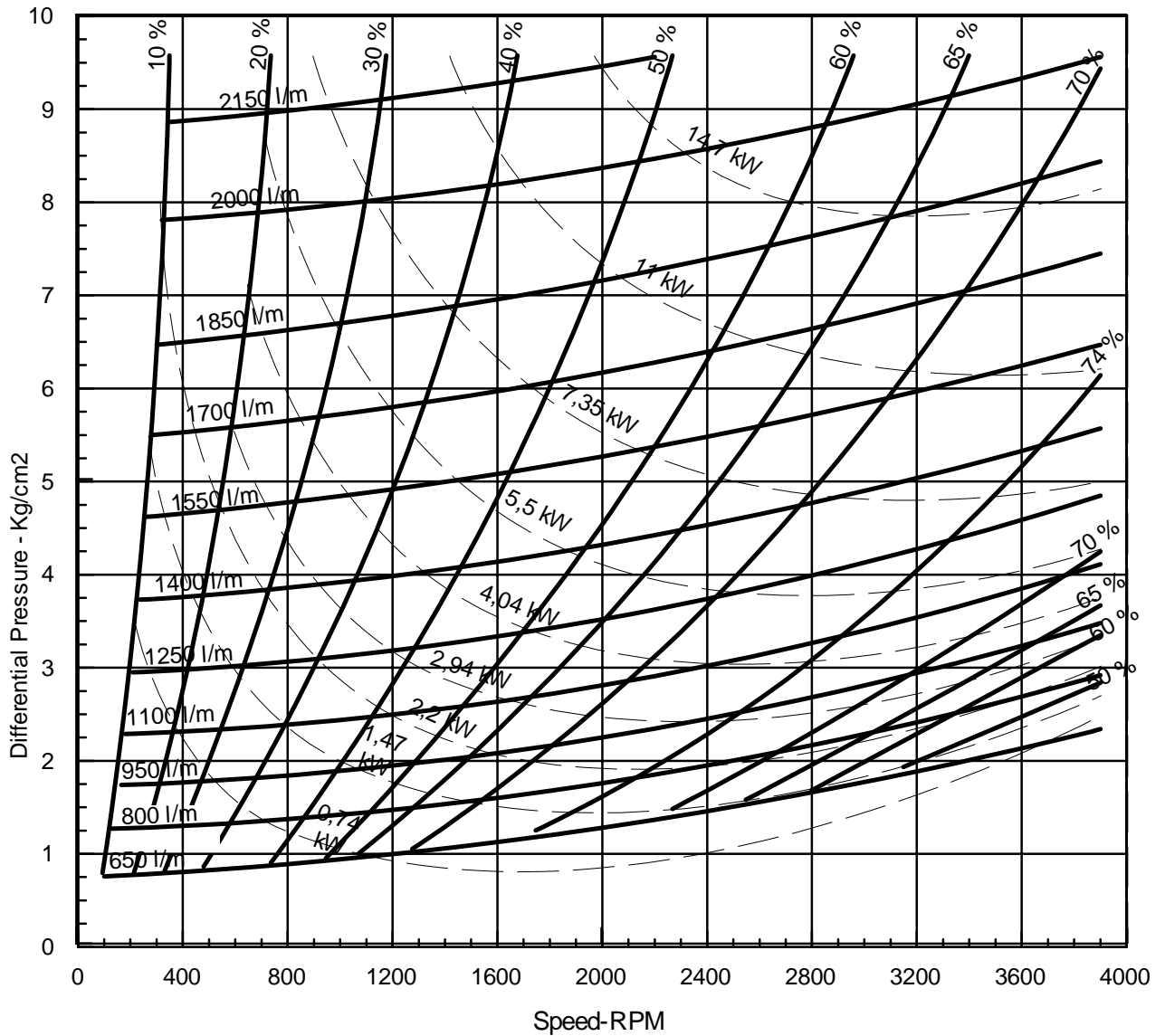
MPV - A1EGSX



NYBORG PORTABLE AXIAL FLOW FAN WATER CONSUMPTION CHART

MPV - A1EGSX

WATER MOTOR : GILKES 4,25F WM 0,30 VENT



N Y B O R G A S

N-6230 SYKKYLVEN, NORWAY
TEL +47 70 25 40 80 - FAX +47 70 25 29 08
office@nyborgfan.com - www.nyborgfan.com

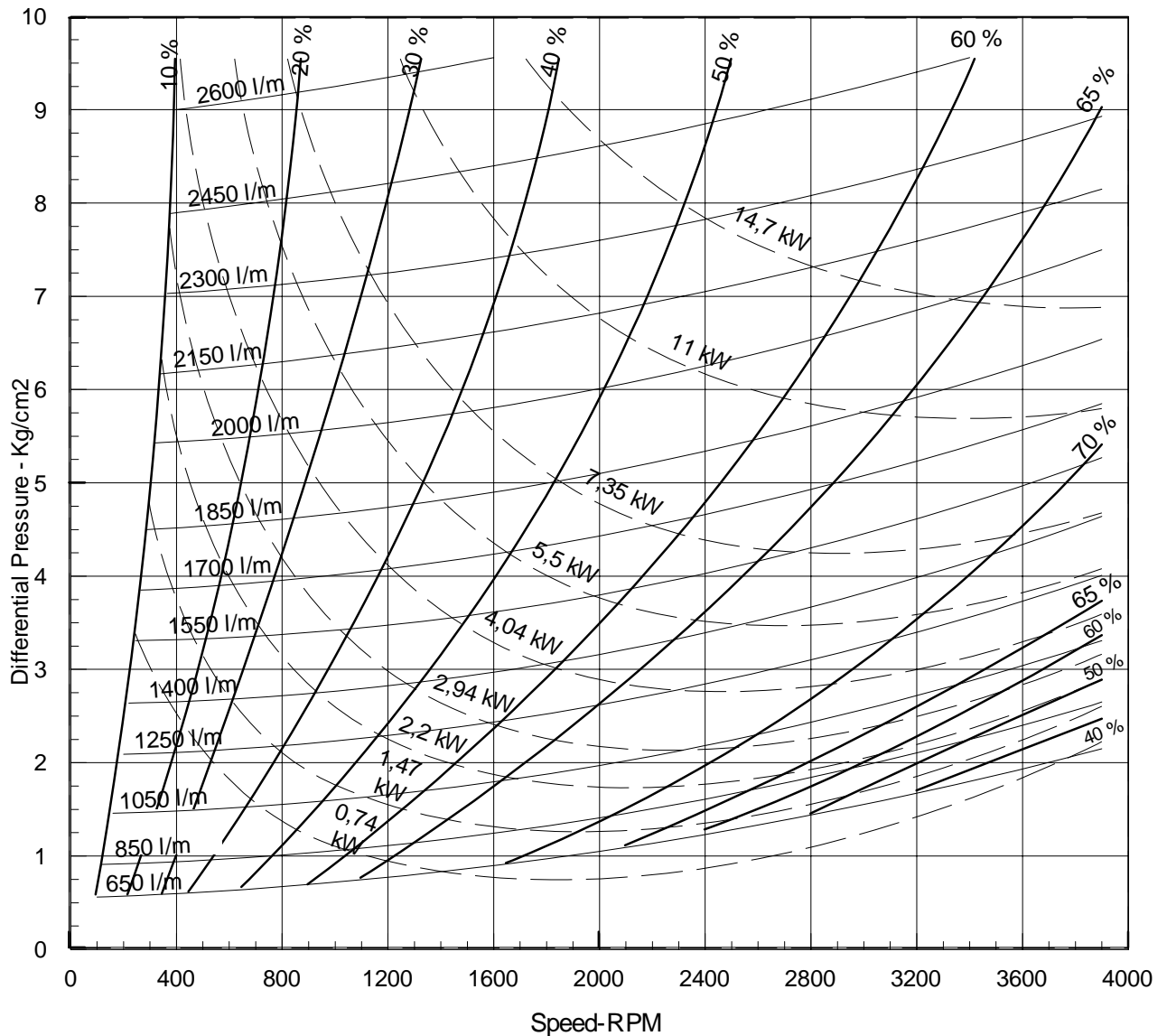
MPV - A1EGSX



NYBORG PORTABLE AXIAL FLOW FAN WATER CONSUMPTION CHART

MPV - A1EGSX

WATER MOTOR : GILKES 4,25F WM 0,40 VENT



N Y B O R G A S

N-6230 SYKKYLVEN, NORWAY
TEL +47 70 25 40 80 - FAX +47 70 25 29 08
office@nyborgfan.com - www.nyborgfan.com

MPV - A1EGSX