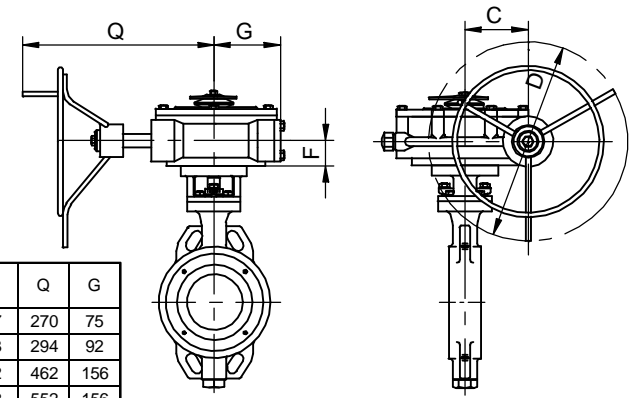



GEAR OPERATOR	SIZE DN	D	C	F	Q	G
RK-45	150/200	345	65	37	270	75
RK-75	200/250	370	98	43	294	92
RK-125	250/300	540	152	62	462	156
RK-400	300/500	540	152	62	552	156



**Applicable Standards:**  
 End Flanges DIN 2501/1 PN 10-16-25-40  
 Smooth Finish (Ra 3.2-6.3 µm)  
 Face-to-Face API 609, for Dn 125 DIN 3202 K2  
 Body Pressure Temp. Rating ANSI B 16.34  
 Seat Pressure Temp. Rating API 609  
 Fire-safe Test Certification  
 BS 6755 Part 2, API 6FA, API 607  
 NACE Standart MR0175

SIZE DN	m.m.	80	100	125	150	200	250	300	350	400	500	600
D	m.m.	74.6	86.7	110	144.1	193.8	235.8	286	304.5	360	459	556
A PN 10-16	m.m.	50	55.5	64	60	67	72	84	92	102	127	154
A PN 25-40	m.m.	50	55.5	64	60	76	86	94	117	133	159	181
B PN 10	m.m.	134	158	188	212	265	320	370	430	482	585	685
B PN 16	m.m.	138	162	188	218	278	335	395	450	505	615	720
B PN 25	m.m.	138	162	188	218	285	345	410	465	535	615	735
B PN 40	m.m.	138	162	188	218	285	345	410	465	535	615	735
C	m.m.	43	43	40	54	54	54	71	80	90	100	
E	m.m.	210	228	268	290	347	398	437	476	594	648	
F PN 10-16	m.m.	131	137	168	192	238	275	303	339	399	473	
F PN 25-40	m.m.	131	137	168	205	263	295	336	373	437	492	
G PN 10-16	m.m.	300		400		GEAR BOX						
G PN 25-40	m.m.	300		400		GEAR BOX						
K PN 10	m.m.	8		12		16		20				
K PN 16	m.m.	8		12		16		20				
K PN 25	m.m.	8		12		16		20				
K PN 40	m.m.	8		12		16		20				
L PN 10	m.m.	M 16		M 20		M 24		M 27		M 30		M 33
L PN 16	m.m.	M 16		M 20		M 24		M 27		M 30		M 33
L PN 25	m.m.	M 16	M 20	M 24		M 27		M 30		M 33		M 36
L PN 40	m.m.	M 16	M 20	M 24		M 27		M 30		M 33		M 36
M PN 10	m.m.	180	210	240	295	350	400	460	515	620	725	
M PN 16	m.m.	180	210	240	295	355	410	470	525	650	770	
M PN 25	m.m.	190	220	250	310	370	430	490	550	650	770	
M PN 40	m.m.	190	220	250	320	385	450	510	585	670	795	
WEIGHT												
PN 10	Kg	8.5	11.5	15	19	25	42	55	88	160	234	410
PN 16	Kg	8.5	11.5	15	19	28	56	78	120	230	382	605
PN 25	Kg	9	14.5	17.5	25	32	50	75	110	175	385	470
PN 40	Kg	9	14.5	17.5	27.5	46	75	104	160	290	460	705

POS.	ITEMS	MATERIALS		POS.	ITEMS	MATERIALS	
	DESCRIPTION	STAINLESS STEEL	CARBON STEEL		DESCRIPTION	STAINLESS STEEL	CARBON STEEL
10-11	BODY	DIN 17445 1.4408	DIN 17245 1.0619	80	PLUG GASKET	GRAPHITE	
19	STOOL	DIN 17445 1.4408	DIN 17245 1.0619	81	GLAND PACKING	GRAPHITE	
20	DISC	DIN 17445 1.4408		85	PLUG THRUST WASHER	P.T.F.E.	
30	SHAFT	DUPLEX UNS 31803 or F51		89	GLAND FOLLOWER SLEEVE	P.T.F.E.	
35	DISC KEY	STAINLESS STEEL 316		90	ACTUATOR KEY	KEY STEEL	
37	PLUG	STAINLESS STEEL 316		92	SEAT RING CARRIER FASTENERS	CAPSCREWS SS DIN 912 A4 (SS 316)	
38	TOP SHAFT BEARING	STAINLESS STEEL / P.T.F.E. MP6		93	SUPPORT WRENCH	NODULAR IRON GGG-40	
39	BOTTON SHAFT BEARING	STAINLESS STEEL / P.T.F.E. MP6		94	LEVER SPRING	STAINLESS STEEL 301	
40	SEAT RING CARRIER	DIN 17445 1.4408	DIN 17245 1.0619	95	LEVER	NODULAR IRON GGG-40	
55	GLAND FLANGE	STAINLESS STEEL CF8		96	WASHERS	SS DIN 125 A2 (SS 304)	
56	GLAND FOLLOWER	STAINLESS STEEL 316		97	GLAND STUD BOLTS	SS DIN 976 A2-70 (SS 304)	
57	BOTTON BEARING RING	STAINLESS STEEL 316		97A	STOOL STUD BOLTS	SS DIN 976 A2-70 (SS 304)	
58	TOP BEARING RING	STAINLESS STEEL 316		98	CUP-POINT SETSCREW	CS DIN 913 (CS 8.8) ZINC PLATED	
60	METAL SEAT	INCONEL-625		99	GLAND STUD NUTS	SS DIN 934 A2 (SS 304)	
61	P.T.F.E. SEAT	P.T.F.E. MOD.		99A	WRENCH NUT	CS SERIE KM ZINC PLATED	
70-71	SEAT GASKETS	GRAPHITE					



**BAC VALVES**

Tapis, 126 - P.O. Box, 13 - 17600 FIGUERES (Girona) Spain  
 Tel.: (34) 972 67 70 52 - Fax: (34) 972 50 90 40  
 E-mail: technical@bacvalves.com web: www.bacvalves.com

<b>Título / Title</b>		<b>Dibujado / Drawn</b>	<b>Escala / Scale</b>
PLANO GENERAL CON LISTA DE MATERIALES GENERAL DRAWING WITH MATERIAL LIST VÁLVULA DE MARIPOSA / BUTTERFLY VALVES TIPO / TYPE WAFER SOFT SEAT DIN PN 10-16-25-40		Enric Balsera	
<b>Aprobado / Approved</b>		<b>Fecha / Date</b>	
Carles Bach		15-02-99	
<b>Plano nº / Drawing nr.</b>			<b>Rev.</b>
06-2836			

Prohibido el uso y reproducción de este plano, parcial o totalmente, sin expresa autorización de BAC VALVES S.A.  
 Any part of this drawing or reproduction of this drawing, without specific authorization of BAC VALVES S.A. is forbidden.