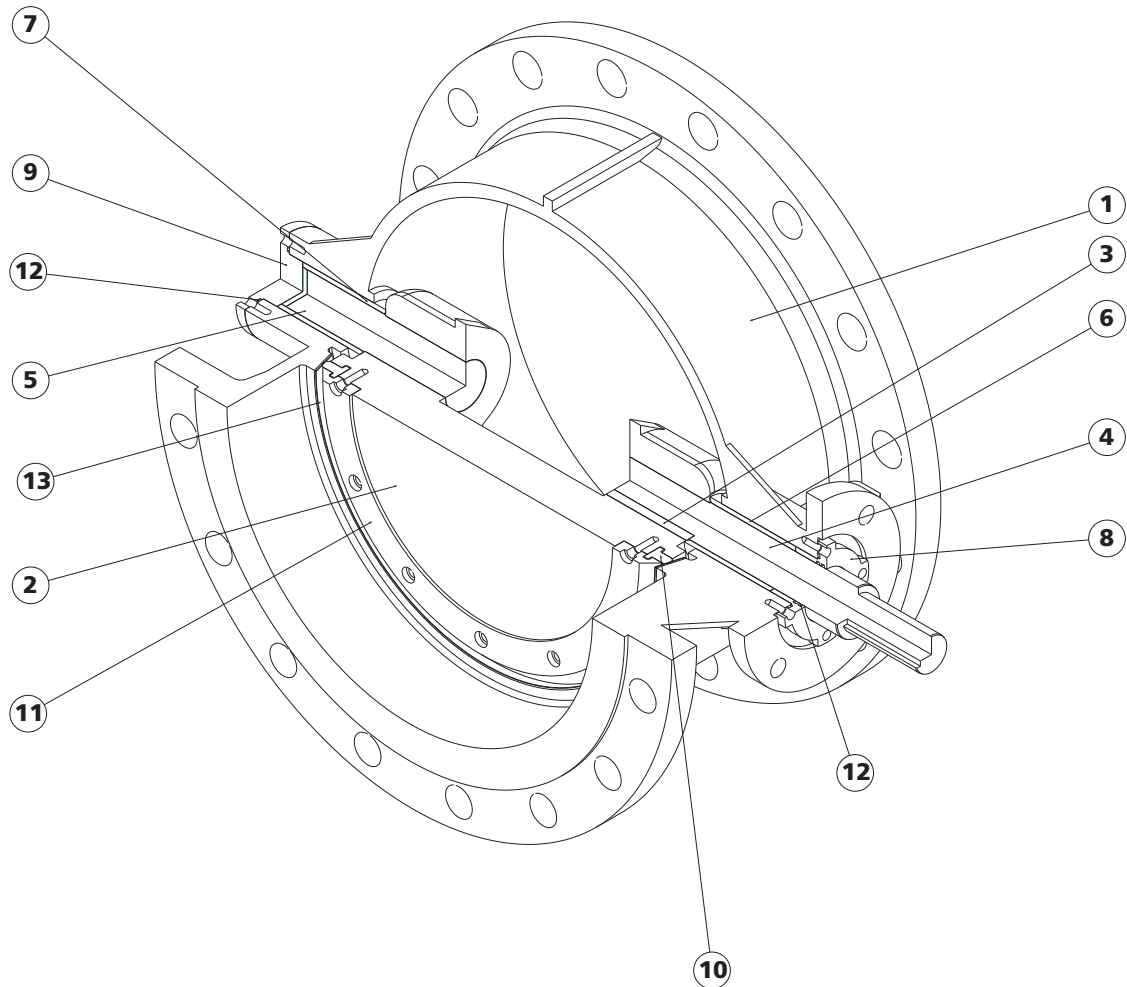


ALtech A.S

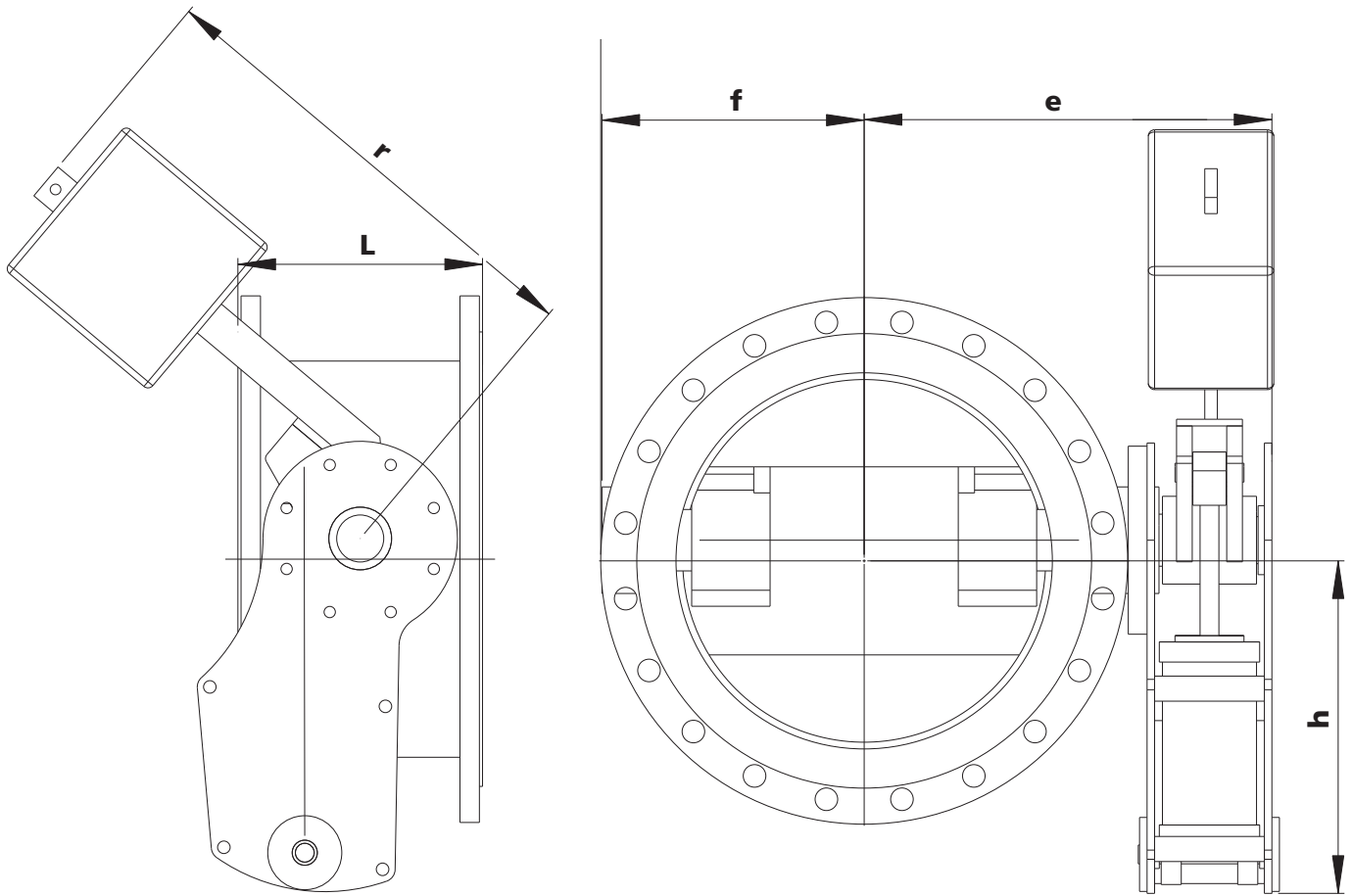
Valves & Process Equipment

Double-Eccentric Butterfly Valves - PN 10-40 With Hydraulic Emergency Close Design

**Art. B07-
/10-40**



No.	Description	Material	Standard	BS Standard	DIN Standard
1	Body	Ductile Iron	GGG 50	2789-73 Gr. 500/7	1693 GGG-50
2	Disc	Ductile Iron	GGG 50	2789-73 Gr. 500/7	1693 GGG-50
3	Key on Disc	Stainless Steel	X20Cr13	970/4-70 420 S37	17440
4	Upper Shaft	Stainless Steel	304 SS	970/4-70 304 S15	17440 1.4301
		Stainless Steel	316 SS	970/4-70 316 S16	17440 1.4401
5	Lower Shaft	Stainless Steel	X20Cr13	970/4-70 420 S37	17440
		Stainless Steel	304 SS	970/4-70 304 S15	17440 1.4301
		Stainless Steel	316 SS	970/4-70 316 S16	17440 1.4401
6	Long Bearing	Bronze	Rg5	1400 LG2	1705 G-CuSn5ZnPb
7	Short Bearing	Bronze	Rg5	1400 LG2	1705 G-CuSn5ZnPb
8	Shaft Cover	Cast Iron	GG 25	1452-61 Gr. 17	1691 GG-25
9	Blind Cover	Cast Iron	GG 25	1452-61 Gr. 17	1691 GG-25
10	Sealing Ring	Rubber	EPDM / NBR		
11	Retainer	Stainless Steel	304 SS	970/4-70 304 S15	17440 1.4301
		Stainless Steel	316 SS	970/4-70 316 S16	17440 1.4401
12	Cover O-Ring	Rubber	EPDM / NBR		
13	Body Seat	Stainless Steel	304 SS	970/4-70 304 S15	17440 1.4301



DN	PN 10 - 16 BS 5155 (short)		PN 10 - 16 DIN 3202 F-4		PN 25 - 40 BS 5155 Length mm	e	f	h	r
	Length mm	Approx. W. (Kg)	Length mm	Approx. W. (Kg)					
400	216	245	310	260	310	440	290	380	530
500	229	390	350	415	350	540	360	460	640
600	267	650	390	680	390	630	420	550	770
700	292	890	430	930	430	680	455	590	830
800	318	1240	470	1290	470	770	515	670	940
900	330	1510	510	1600	510	840	560	730	1020
1000	410	2075	550	2150	550	945	630	820	1150
1200	470	2830	630	2950	630	1110	740	970	1360