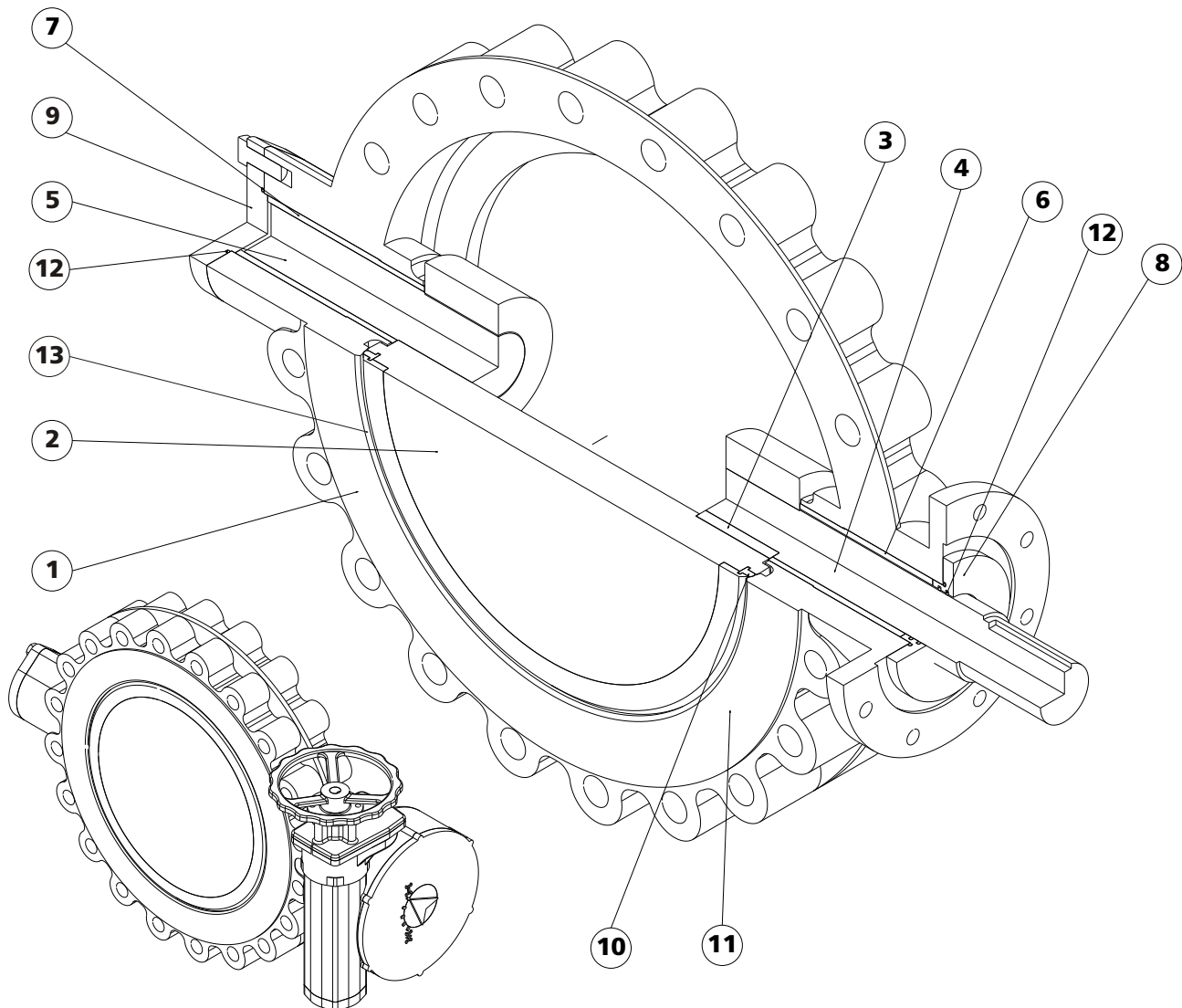


ALtech A.S Double-Eccentric Butterfly Valves

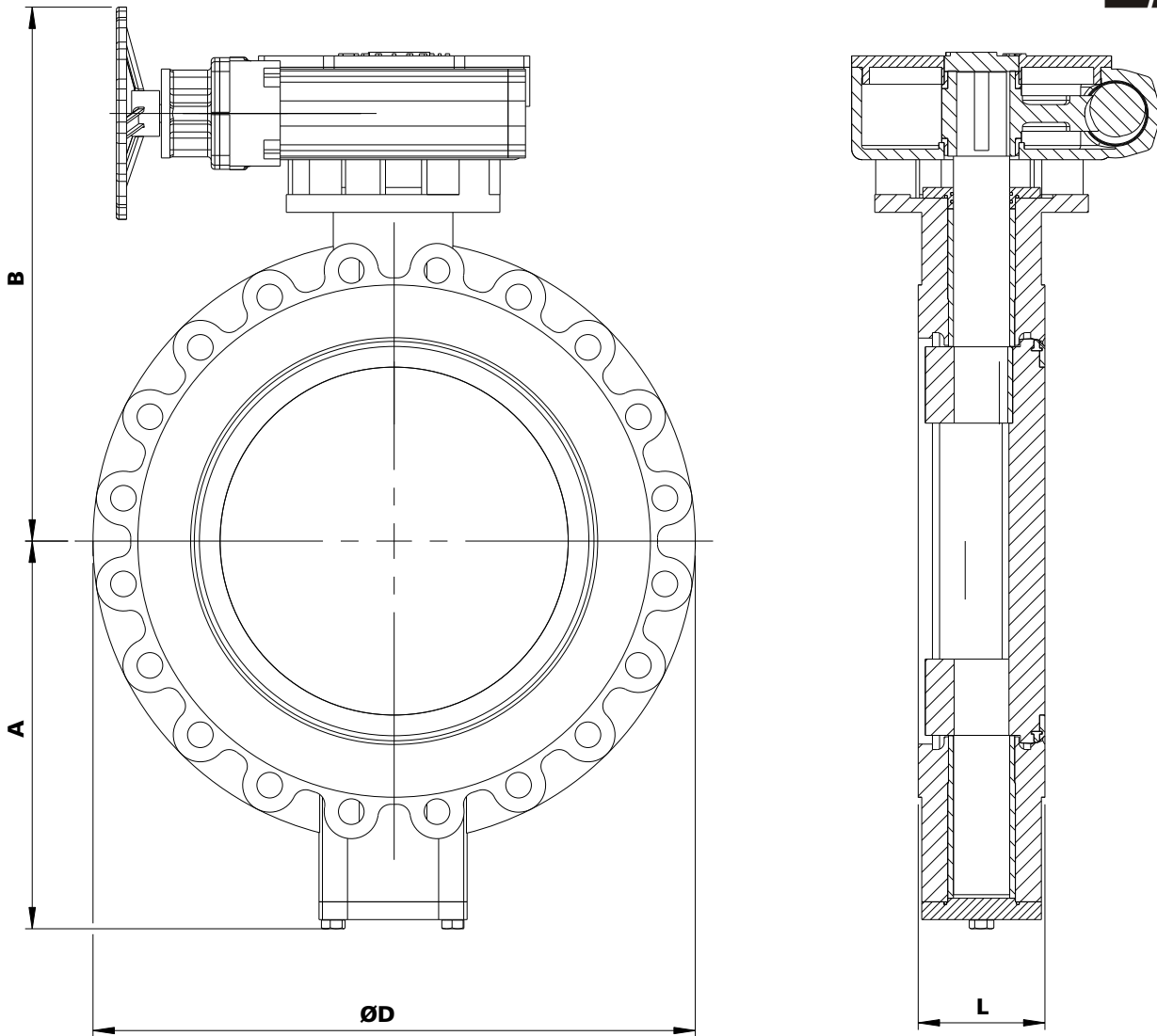
Valves & Process Equipment

Lug Type - PN 10-16

Art. B02-
/10-16



No.	Description	Material	Standard	BS Standard	DIN Standard
1	Body	Ductile Iron	GGG 50	2789-73 Gr. 500/7	1693 GGG-50
		(PN 10: Cast Iron)	(PN 10: GG-25)	(PN 10: 1452-61 Gr. 17)	(PN 10: 1691 GG-25)
2	Disc	Ductile Iron	GGG 50	2789-73 Gr. 500/7	1693 GGG-50
		(PN 10: Cast Iron)	(PN 10: GG-25)	(PN 10: 1452-61 Gr. 17)	(PN 10: 1691 GG-25)
3	Key on Disc	Stainless Steel	X20Cr13	970/4-70 420 S37	17440
4	Upper Shaft	Stainless Steel	X20Cr13	970/4-70 420 S37	17440
		Stainless Steel	304 SS	970/4-70 304 S15	17440 1.4301
		Stainless Steel	316 SS	970/4-70 316 S16	17440 1.4401
5	Lower Shaft	Stainless Steel	X20Cr13	970/4-70 420 S37	17440
		Stainless Steel	304 SS	970/4-70 304 S15	17440 1.4301
		Stainless Steel	316 SS	970/4-70 316 S16	17440 1.4401
6	Long Bearing	Bronze	Rg5	1400 LG2	1705 G-CuSn5ZnPb
7	Short Bearing	Bronze	Rg5	1400 LG2	1705 G-CuSn5ZnPb
8	Shaft Cover	Cast Iron	GG 25	1452-61 Gr. 17	1691 GG-25
9	Blind Cover	Cast Iron	GG 25	1452-61 Gr. 17	1691 GG-25
10	Sealing Ring	Rubber	EPDM / NBR		
11	Retainer	Stainless Steel	304 SS	970/4-70 304 S15	17440 1.4301
		Stainless Steel	316 SS	970/4-70 316 S16	17440 1.4401
12	Cover O-Ring	Rubber	EPDM / NBR		
13	Body Seat	Stainless Steel	316 L		17440 1.4404



DN	L	A	B	ØD
50	43	135	182	165
65	46	150	197	185
80	64	165	210	200
100	64	185	228	220
125	70	200	245	250
150	76	222	263	285
200	89	258	325	340
250	114	296	370	405
300	114	345	395	460
350	127	400	490	520
400	140	430	505	580
450	152	455	530	640
500	152	475	610	715
600	178	535	635	840
700	229	650	655	910
800	241	725	675	1025
900	241	805	700	1125
1000	300	890	730	1255