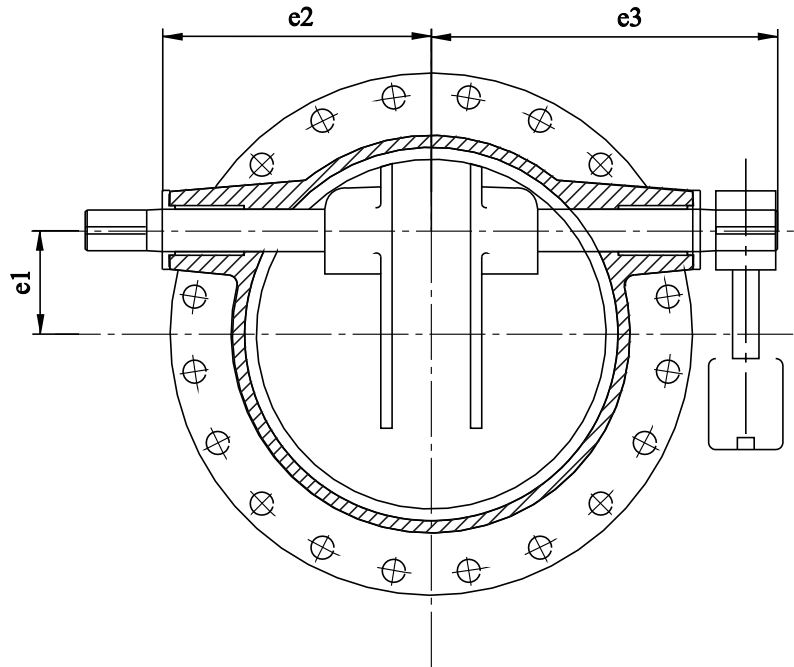
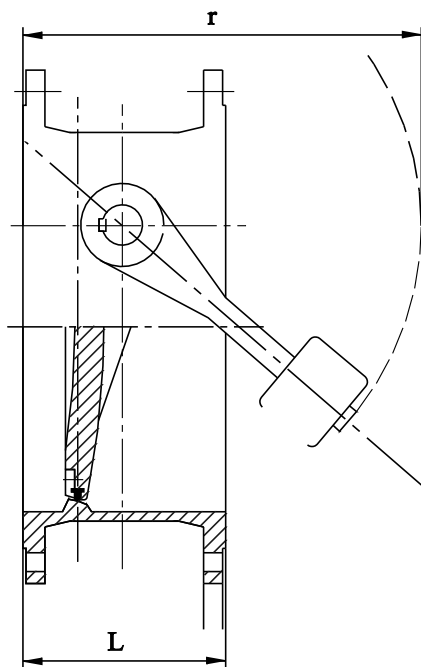


No.	Description	Material	Standard	BS Standard	DIN Standard
1	Body	Ductile Iron	GGG 50	2789-73 Gr. 500/7	1693 GGG-50
2	Disc	Ductile Iron	GGG 50	2789-73 Gr. 500/7	1693 GGG-50
3	Shaft	Stainless Steel	X20Cr13	970/4-70 420 S37	17440
		Stainless Steel	304 SS	970/4-70 304 S15	17440 1.4301
4	Body Seat	Stainless Steel	316 SS	970/4-70 316 S16	17440 1.4401
		Stainless Steel	304SS	970/4-70 304 S15	17440 1.4301
5	Sealing Ring	Rubber	EPDM/NBR		
6	Retainer	Stainless Steel	304 SS	970/4-70 304 S15	17440 1.4301
7	Lever	Steel	St -37		
8	Weight	Cast Iron	GG 25	1452-61 Gr. 17	1691 GG-25



DN	PN 10 - 16 BS 5155 (short)		PN 10 - 16 DIN 3202 F-4		PN 25 - 40 BS 5155 (long) & DIN 3202 F-4			e1	e2	e3	r
	Length mm	Approx. W. (Kg)	Length mm	Approx. W. (Kg)	Length mm	Approx. W. (Kg) PN 25	PN 40				
80	114	20	180	23	180	30	37	-	-	-	-
100	127	22	190	25	190	32	40	-	-	-	-
125	140	27	200	30	200	40	48	-	-	-	-
150	140	35	210	40	210	52	64	35	140	210	210
200	152	52	230	60	230	78	96	50	170	250	250
250	165	75	250	85	250	110	136	65	205	300	250
300	178	105	270	115	270	150	184	75	240	360	300
350	190	125	290	140	290	182	224	85	280	400	300
400	216	185	310	200	310	260	320	100	310	450	350
450	222	220	330	240	330	312	384	110	340	490	350
500	229	295	350	320	350	416	512	125	370	530	400
600	267	490	390	520	390	676	832	150	420	570	500
700	292	670	430	710	430	923	1136	175	500	620	620
800	318	940	470	990	470	1290	1585	200	560	700	660
900	330	1140	510	1220	510	1560	1920	225	600	750	750
1000	410	1525	550	1600	550	2080	2560	250	650	850	800
1100	410	1900	590	2000	590	2600	3200	-	-	-	-
1200	470	2080	630	2200	630	2860	3520	300	750	960	900
1400	530	3000	710	3150	710	4095	5040	350	820	1100	1000
1500	575	3810	750	4000	750	5200	6400	-	-	-	-
1600	600	4730	790	4950	790	6435	7920	400	900	1200	1100
1800	670	7200	870	7500	870	9750	12000	-	-	-	-
2000	760	11160	950	11500	950	14950	18400	-	-	-	-
2200	-	-	1030	-	1030	-	-	-	-	-	-
2400	-	-	1110	-	1110	-	-	-	-	-	-
2600	-	-	1190	-	1190	-	-	-	-	-	-
2800	-	-	1270	-	1270	-	-	-	-	-	-
3000	-	-	1350	-	1350	-	-	-	-	-	-