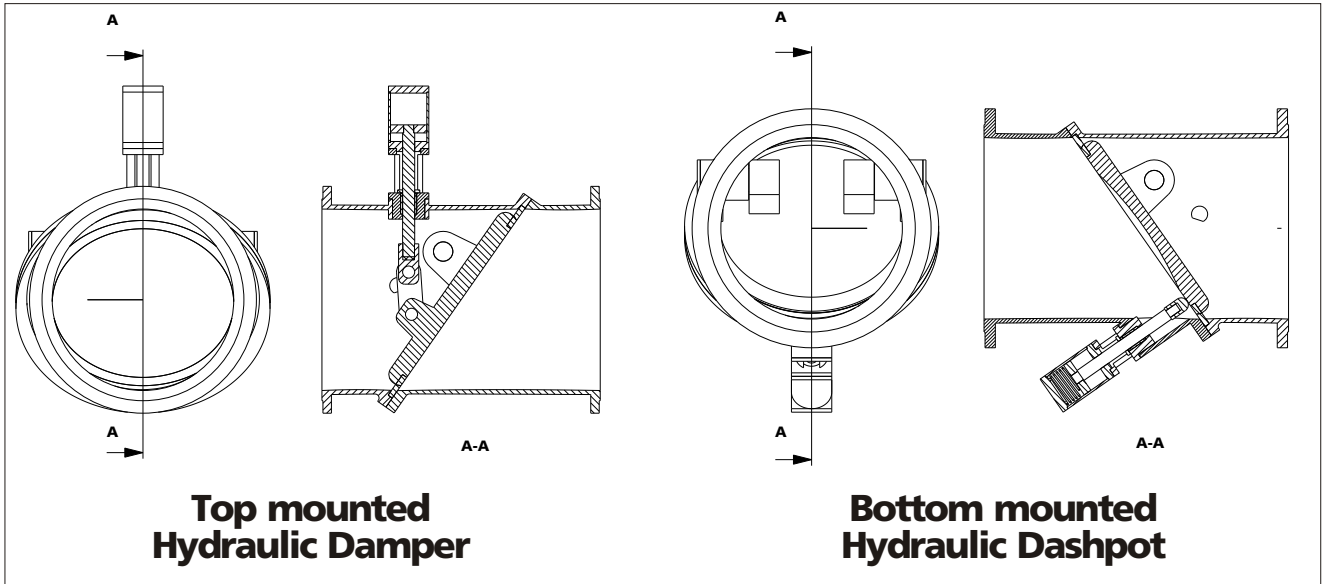


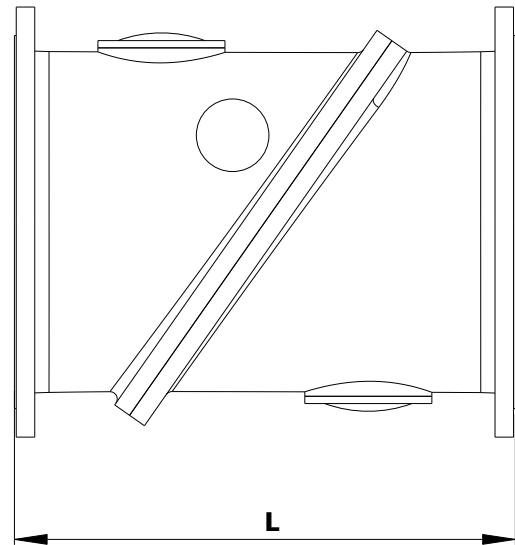
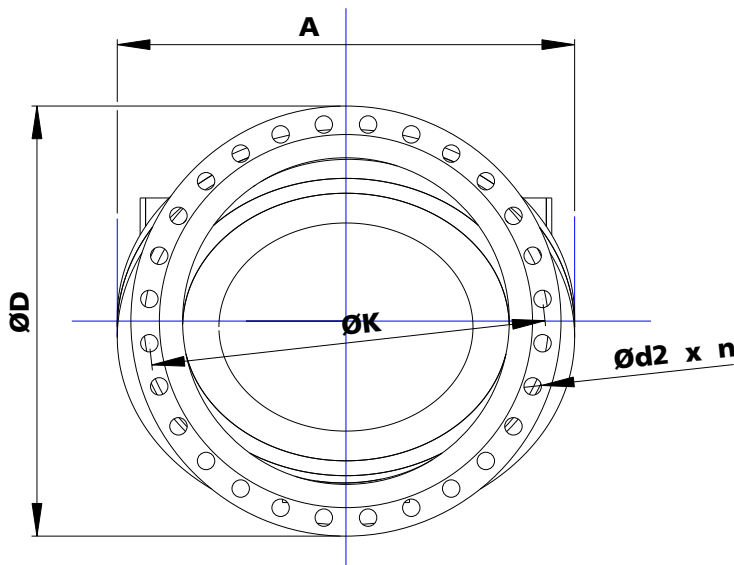
ITEM NO.	QTY.	PART NO.	MATERIAL	DESCRIPTION
1	1	body1	GGG 50	Ductile Iron
2	1	body2	GGG 50	Ductile Iron
3	1	disc	GGG 50	Ductile Iron
4	2	shaft	X20Cr13	
5	2	bearing	Rg5	Bronze
6	1	seat	Rg 5	Bronze
7	1	disc seat	Rg 5	Bronze
8	2	side cover	GGG 50	Ductile Iron
9	2	inspection cover	GGG 50	Ductile Iron

Other available versions



**Top mounted
Hydraulic Damper**

**Bottom mounted
Hydraulic Dashpot**



	DN	100	125	150	200	250	300	350	400	450	500	600	700	800	900	1000	1200	1400	1600
PN 10	D	220	250	285	340	395	445	505	565	615	670	780	895	1015	1115	1230	1455	1675	1915
	K	180	210	240	295	350	400	460	515	565	620	725	840	950	1050	1160	1380	1590	1820
	d2	18	18	22	22	22	22	22	26	26	26	30	30	33	33	36	39	42	48
	n	8	8	8	8	12	12	16	16	20	20	20	24	24	28	28	32	36	40
	b	19	19	19	20	22	25	25	25	27	27	30	33	35	38	40	45	46	49
PN 16	D	220	250	285	340	405	460	520	580	640	715	840	910	1025	1125	1255	1485	1685	1930
	K	180	210	240	295	355	410	470	525	585	650	770	840	950	1050	1170	1390	1590	1820
	d2	18	18	22	22	26	26	26	30	30	33	36	36	39	39	42	48	48	56
	n	8	8	8	12	12	12	16	16	20	20	20	24	24	28	28	32	36	40
	b	19	19	19	20	22	25	27	28	32	32	36	39	43	47	50	57	60	65
	L	330	360	390	460	530	630	690	750	810	880	1000	1130	1250	1380	1500	1800	2100	2400
	A	140	180	210	280	350	420	490	560	630	700	840	980	1120	1260	1400	1680	1960	2240