

BESI produces small electro/hydraulic power packs for the supply of BESI hydraulic  $\frac{1}{4}$  turn actuators type HSTP as well linear actuators type HKV.

These mini power packs are usually installed directly at the actuator, thus providing a hydraulically independent unit supplied by electric cabling only. For submerged installation the power unit may be installed just outside the tank, to avoid hazardous areas installation can be done in a safe area nearby. The connection to the remote control panel will be by one cable only.

The EHPP unit is applicable for both double-acting and spring-return hydraulic  $\frac{1}{4}$ -turn as well as linear actuators. Under certain conditions the unit may be used to serve a group of several actuators via a small solenoid valve box; thus piping over longer distances can be avoided.

#### **Position response**

Valve position can be effected by electric limit switches mounted externally to the actuator, providing position signalling to the control panel and also stopping the pump running.

#### **Emergency Operation**

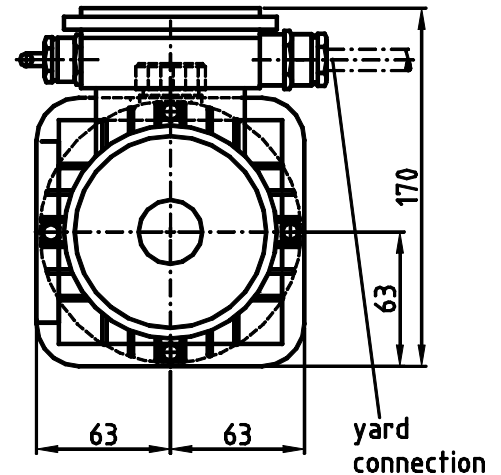
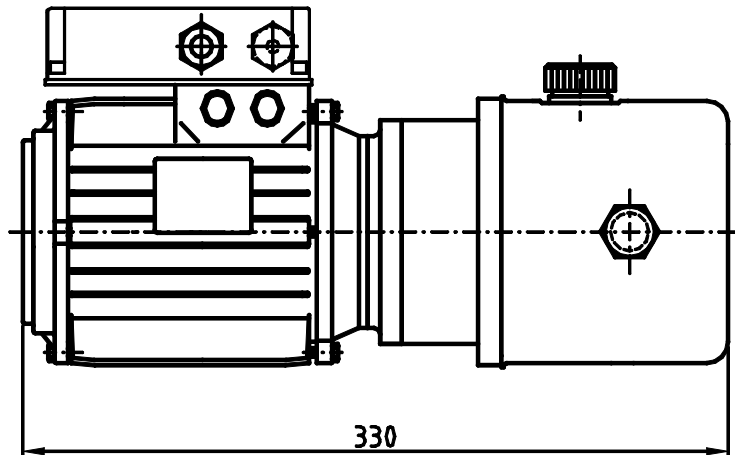
In case of need the EHPP-unit can be equipped with quick connector couplings for connecting a portable manual emergency pump. For actuators installed inside tanks a control block with these couplings is arranged outside tanks nearby and connected to the actuator by hydraulic piping, thus allowing manual control.



**BESI Armaturen  
Bremen**

**EHPP**

**electro hydraulic power pack**



**main data**

*standard / on request*

e-motor

power rating	0,25 kW; <b>1400/1700</b> U/min
voltage	<b>400/450</b> V three phase alternating current
multifrequency	<b>50/60</b> Hz
nominal current	<b>0,82</b> A
pump capacity	Q=0,27 ccm/U reversing operation adaption by throttle
operating pressure	130 bar, max. 150 bar
hydraulic viscosity	15 – 46 cSt./40° C
tank volume	0,5 l
1 cycle	2 seconds at max. operating pressure
life span	500.000 cycles at max. operating pressure
type of protection	IP 65
total weight	7 kg
electric connection	spring acting 8(10)x1,5mm <sup>2</sup> double acting 7x1,5mm <sup>2</sup>
working temperature	-15°C - +60°C max. 80°C
installation	position horizontal, vertical and all others. Final selection to be informed before assembly.

**option**

- mounting kit HSTP
- mounting kit HKV
- bracket for separate arrangement
- limit switches
- Ex-proof version
- potentiometer
- IP 67

**BESI Armaturen GmbH & Co KG**

Phone: +049 (0) 421 57 64 3 – 0;

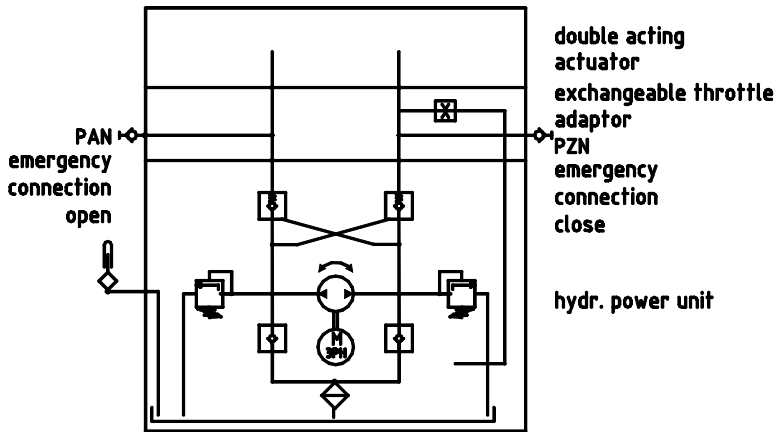
Fax: +049 (0) 421 58 36 21;

eMail: info@besi.de

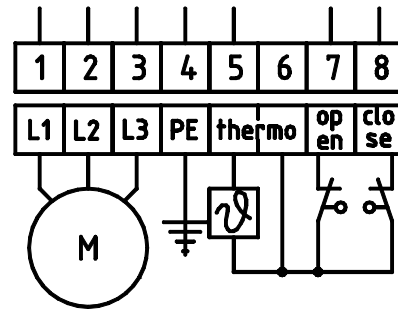


### hydraulic double acting

hydraulic diagram

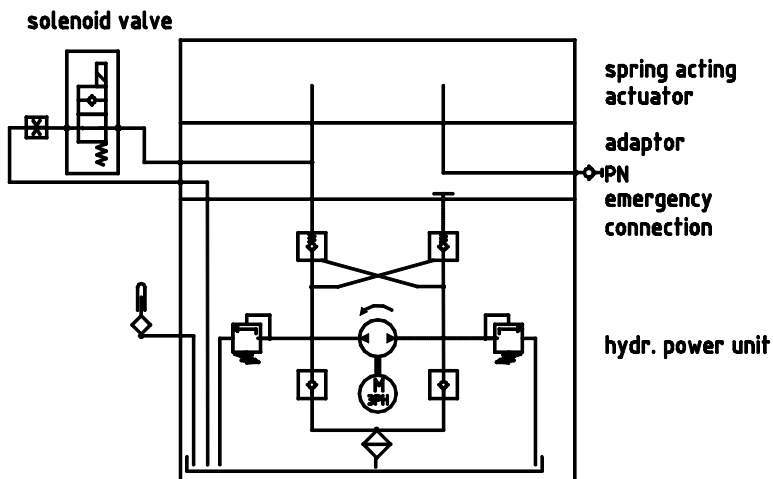


terminal strip



### hydraulic / spring acting

hydraulic diagram



terminal strip

