

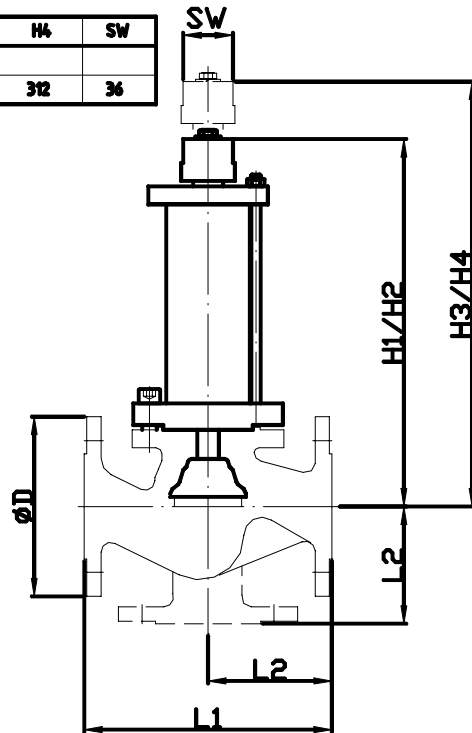
DN	∅ D	L1	H1	H2	L2	H3	H4	SW
50	165	230	327	342	125	297	312	36

straight way valve:

L1, H1, H2

angle valve:

L2, H3, H4



general information

This single acting pneumatic actuator type PKV can be built to several type's of seat valves (as globe stop valves, non return valves, valve chests). The pneumatic air pressure acts to open and disc springs in closing direction. They are very economic and reliable safe, with:

- just one connection pipe

main data

function
installation
operation connection
coating

working pressure
total weight
temperature range
material

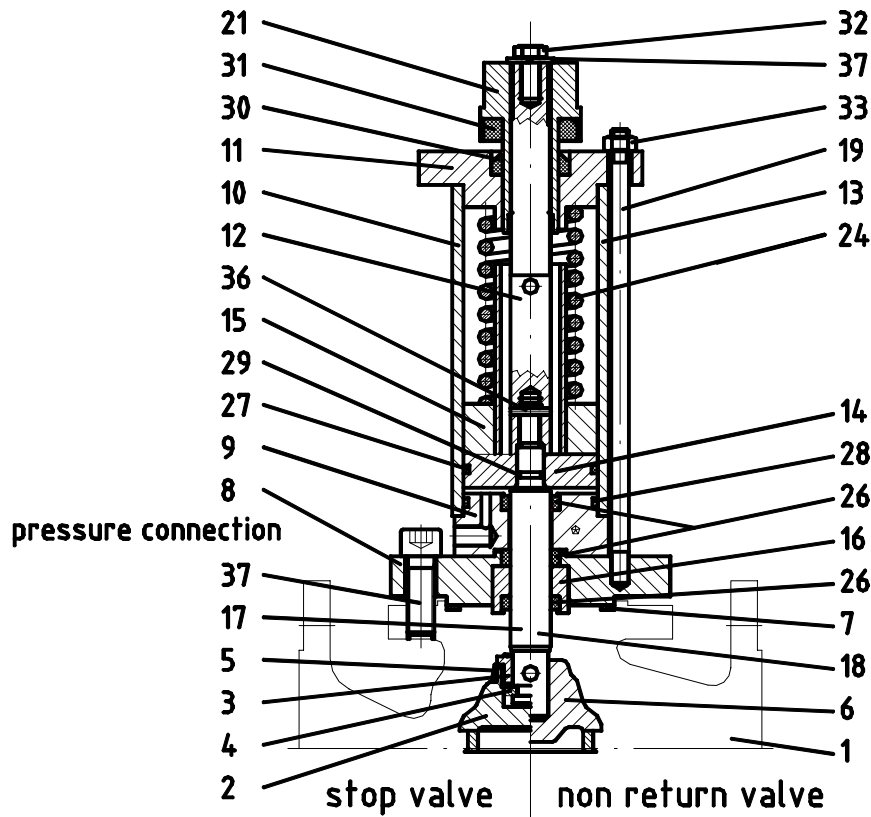
for valve type
air consumption
(compressed air)
for valve DN

standard / on request

spring closed / opened
dry / open deck
OD 8mm / OD 10mm
alkyd resin primer
synthetic resin finish
10 bar
kg
-20° - +80°C
GG/stainless steel / GGG/stainless steel
non return valve / stop valve
cm³
50

options

- electr. limit switch – IP67
- potentiometer
- visual position indication
- special connections
- special coating
- remote declutchable hand operation



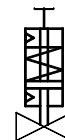
item	object	material	pce.
1	valve body	GG	1,000
6	valve cone	1.4301	1,000
7	gasket	C4400	1,000
8	flange	GG25	1,000
9	lower part	AlCuMgPb	1,000
10	cylinder tube	Al	1,000
11	upper part	AlMgSi 1	1,000
12	spindle of hand operation	St60k	1,000
13	lift stopper	St	1,000
14	piston	POM	1,000
16	guide bush	CuSn6	1,000
17	spindle	CuSn8	1,000
19	tie rod	9S20k	4,000
21	hand operation	CuZn35Ni	1,000
24	compression spring	St	1,000
26	groove ring	NBR	3,000
27	groove ring	NBR	1,000
28	o-ring	NBR70	1,000
29	o-ring	NBR70	1,000
30	stripper	NBR	1,000
31	slide ring	POM	1,000
32	hexagon screw	8.8galZn	1,000
33	hexagon nut	8galZn	4,000
36	adaptor sleeve	St	1,000
37	screw	8.8galZn	4,000
38	spring washer	9S20k	1,000



**BESI Armaturen
Bremen**

PKV 80

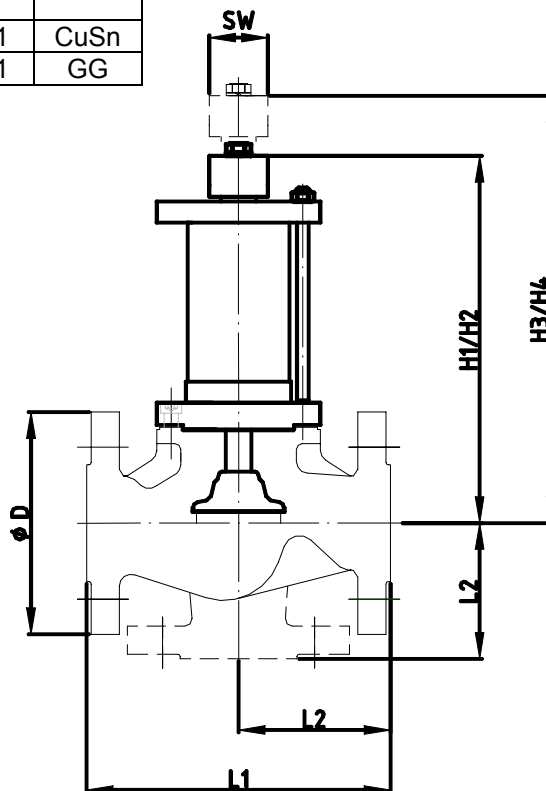
pneumatic linear actuator



DN	øD	L1	H1	H2	L2	H3	H4	SW	valve body
32	140	180	363	388	105	371	396	41	CuSn
40									
50	165	230	353	378	125	370	395	41	CuSn
65	185	290	341	311	145	356	326	41	GG

straight way valve
angle valve

L1,H1,H3
L2,H2,H4



general information

This single acting pneumatic actuator type PKV can be built to several type's of seat valves (as globe stop valves, non return valves, valve chests). The pneumatic air pressure acts to open and disc springs in closing direction. They are very economic and reliable safe, with:

- just one connection pipe

main data

function
installation
operation connection
coating

working pressure
total weight
temperature range
material

for valve type
air consumption
(compressed air)
for valve DN

standard / on request

spring closed / opened
dry / open deck
OD 8mm / OD 10mm
alkyd resin primer
synthetic resin finish
10 bar
kg
-20° - +80°C
GG/RG / GGG/stainless steel
other materials on demand
non return valve / stop valve

options

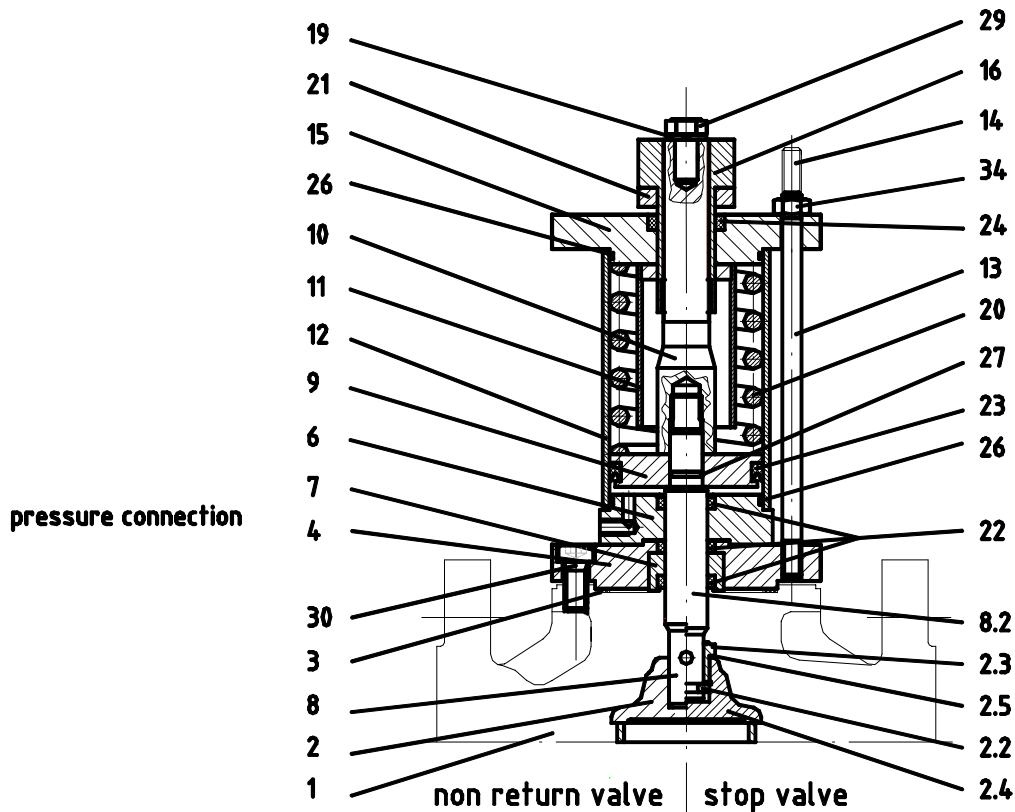
- electr. limit switch – IP67
- potentiometer
- visual position indication
- special connections
- special coating
- remote declutchable manual operation

BESI Armaturen GmbH & Co KG

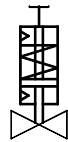
Phone: +049 (0) 421 57 64 3 – 0;

Fax: +049 (0) 421 58 36 21;

eMail: info@besi.de

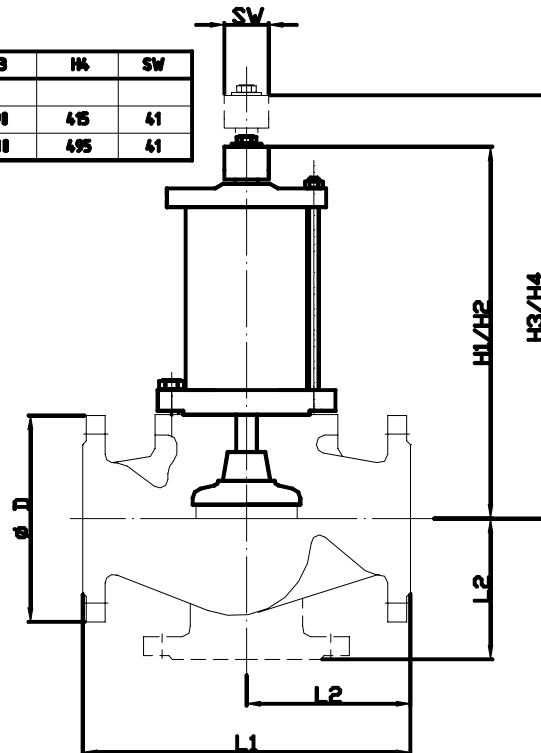


item	object	material	pce.
1	valve body	GG	1,000
2	valve cone	1.4301	1,000
3	gasket	C4400	1,000
4	cover flange	GG	1,000
6	lower part	AlCuMgPb	1,000
7	guide bush	1.4301	1,000
8	non-return spindle	1.4301	1,000
9	piston	AlCuMgPb	1,000
10	spindle for handoperating	St60k	1,000
11	spring guide	St	1,000
12	cylinder	Al	1,000
13	tie rod	9S20k	2,000
14	tie rod	9S20k	2,000
15	upper part	GG25	1,000
16	hand operation	CuZn35Ni	1,000
19	spring washer	9S20K	2,000
20	pressure spring	St	1,000
21	ball bearing	St	1,000
22	groove ring	NBR	3,000
23	piston groove ring	NBR	1,000
24	stripper	NBR	1,000
26	o-ring	NBR	1,000
27	o-ring	8.8verz.	2,000
29	hexagon screw	8.8verz.	1,000
30	hexagon screw	8.8verz.	4,000
34	hexagon nut	8.8verz.	4,000



DN	∅ D	L1	H1	H2	L2	H3	H4	SW
80	210	310	420	445	155	390	415	41
100	220	350	435	460	175	400	495	41

straight way valve: L1, H1, H2
angle valve: L2, H3, H4



general information

This single acting pneumatic actuator type PKV can be built to several type's of seat valves (as globe stop valves, non return valves, valve chests). The pneumatic air pressure acts to open and disc springs in closin direction. Very economic and reliable safe, with:

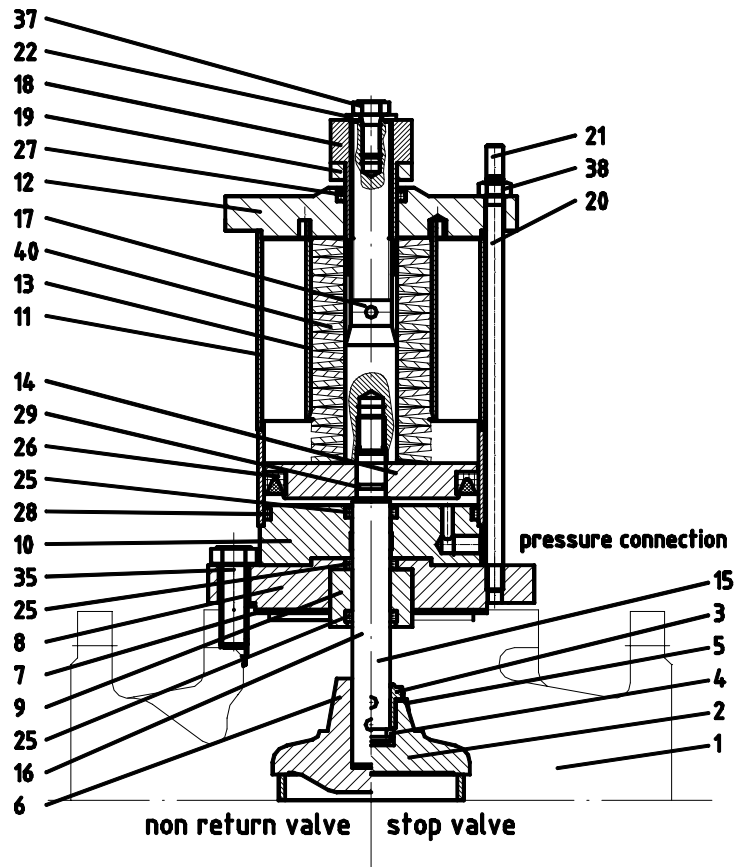
- just one connection pipe

main data

function	<i>standard</i> / on request
installation	spring closed / opened
operation connection	dry / open deck
coating	OD 8mm / OD 10mm
	alkyd resin primer
	synthetic resin finish
working pressure	10 bar
total weight	kg
temperature range	-20° - +80°C
material	GG/RG / GGG/stainless steel
for valve type	non return valve / stop valve
air consumption	cm ³ cm ³
(compressed air)	
for valve DN	80 100

options

- electr. limit switch – IP67
- potentiometer
- visual position indication
- special connections
- special coating
- remote declutchable manual operation

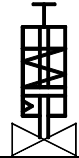


item	object	material	pce.
1	valve body	GG	1,000
6	valve cone	Rg	1,000
7	gasket	C4400	1,000
8	flange	C45	1,000
9	guide bush	RG7	1,000
10	lower part	AlCuMgPb	1,000
11	cylinder	C45	1,000
12	upper part	AlCuMgPb	1,000
13	lift stopper	St35	1,000
14	piston	AlCuMgPb	1,000
16	non-return spindle	CuSn8	1,000
17	spring guide	St60k	1,000
18	hand operation	CuZn35Ni	1,000
19	slide ring	POM	1,000
20	tie rod	9S20K	4,000
21	tie rod	9S20K	2,000
26	groove ring	NBR	1,000
27	stripper	NBR	1,000
28	o-ring	NBR70	1,000
29	o-ring	NBR70	1,000
34	washer	StgalZn	1,000
35	screw	8.8galZn	4,000
37	screw	8.8galZn	1,000
38	hexagon nut	8.8galZn	4,000
40	plate spring	St	30,000



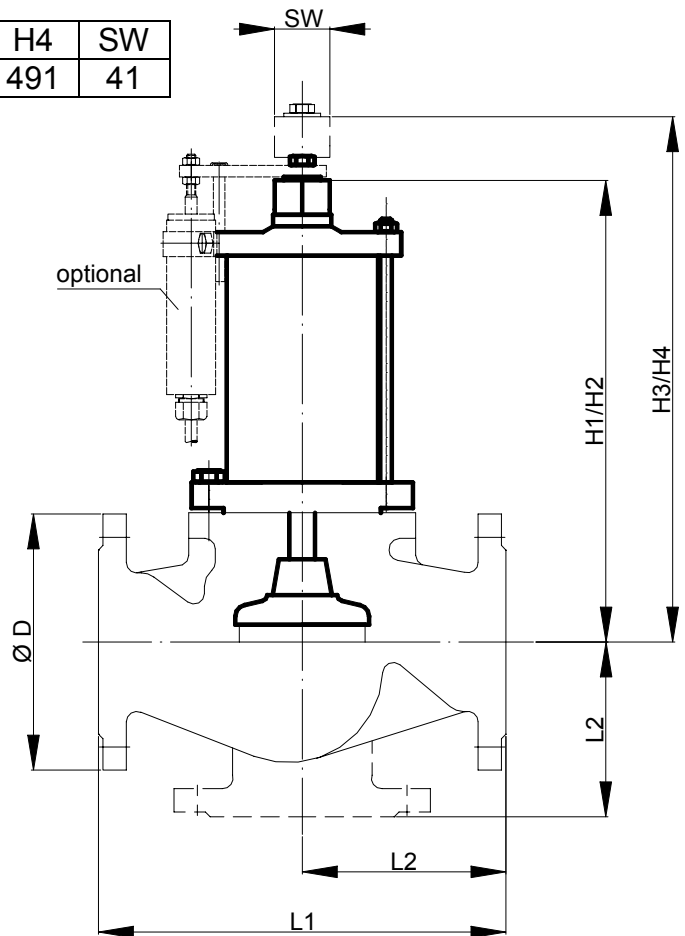
**BESI Armaturen
Bremen**

PKV 160
pneumatic linear actuator



DN	øD	L1	H1	H3	L2	H2	H4	SW
125	250	400	492	524	200	459	491	41

straight way valve L1, H1, H2
angle valve L2, H2, H4



general information

This single acting pneumatic actuator type PKV can be built to several type's of seat valves (as globe stop valves, non return valves, valve chests). The pneumatic air pressure acts to open and disc springs in closing direction.

Very economic and reliable safe, with:

- just one connection pipe

main data

function
installation
operation connection
coating

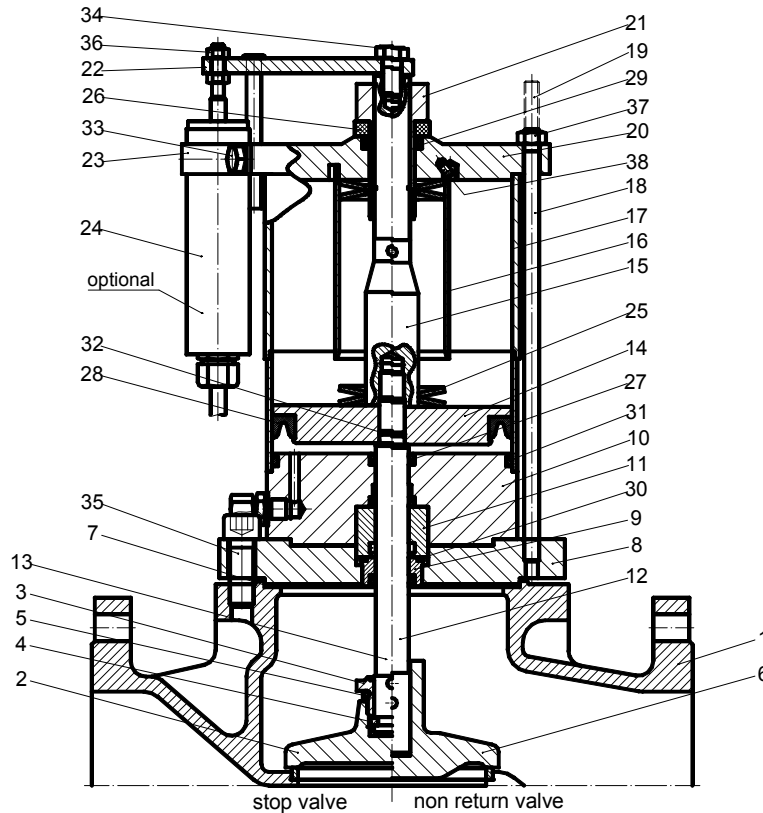
working pressure
total weight
temperature range
material
for valve type
air consumption
(compressed air)
for valve DN

standard / on request

spring closed / opened
dry / open deck
OD 8mm / OD 10mm
alkyd resin primer
synthetic resin finish
10 bar
kg
-20° - +80°C
GG/RG / GGG/stainless steel
non return valve / stop valve
cm³
635
125

options

- electr. limit switch – IP68
- potentiometer
- visual position indication
- special connections
- special coating
- remote declutchable manual operation



item	object	material	pce.
1	valve body	GG	1,000
2, 3, 4, 5, 6	valve cone	Rg	1,000
7	gasket	C4400	1,000
8	flange	C45	1,000
9	sealing bush	RG7	1,000
10	lower part	AlCuMgPb	1,000
11	guide bush	RG7	1,000
12, 13	spindle	CuSn8	1,000
14	piston	AlCuMgPb	1,000
15	spring guide	St52	1,000
16	lift stoper	St35	1,000
17	cylinder	Al	1,000
18	tie rod	9S20K	2,000
19	tie rod	9S20K	2,000
20	upper part	AlCuMgPb	1,000
21	hand operation	CuZn35Ni	1,000
22	safety lever of torsion	St37	1,000
23	clamp	St37	1,000
24	(limit switch – optional)		1,000
25	disk spring		36,000
26	slide ring	POM	1,000
27	groove ring	NBR	3,000
28	groove ring	NBR	1,000
29	stripper	NBR	1,000
30	o-ring	NBR	1,000
31	o-ring	NBR	1,000
32	o-ring	NBR	1,000
33	hexagon screw	8.8 gal. Zn	2,000
34	hexagon screw	8.8 gal. Zn	1,000
35	hexagon screw	8.8 gal. Zn	8,000
36	hexagon nut	8 gal. Zn	2,000
37	hexagon nut	8 gal. Zn	4,000
38	grub screw	St	