

VP Major S.S



VP Major Bronze



Description

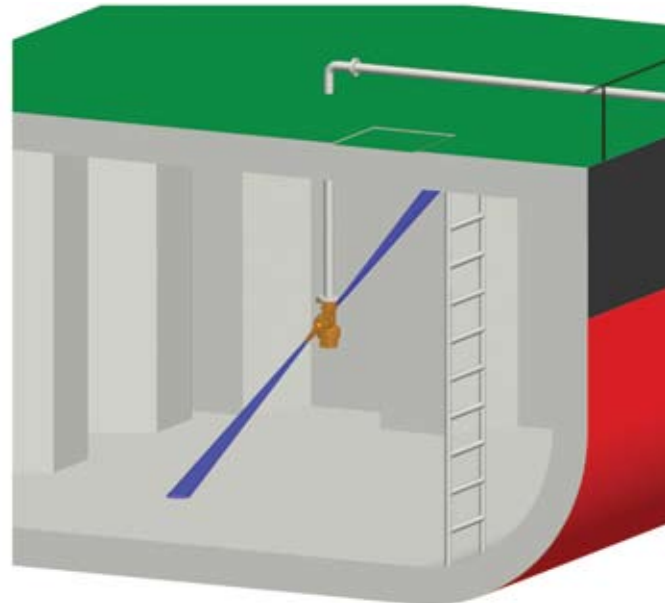
Tank Washing is a vital part of a ships operations and it is essential that the equipment on board is robust, reliable and fit for purpose. Victor Marine bring with them a long tradition of supplying reliable and efficient equipment and can offer both twin and single nozzle machines which offer a solution to all tank washing problems.

The VP Major is a pre-programmed twin nozzle tank washing machine available in both 316 stainless steel and bronze. This unit is suitable for use on medium and large sized crude oil, chemical and product tankers supplied either for fixed and portable applications.

Key features

- ▶ Wash pattern is of Orbital progressive intensity wash pattern to meet IMO Annex II pre wash requirement
- ▶ Nozzle sizes from 11mm to 18mm
- ▶ Offered with either 'sealed for life' or Media lubricated drive to ensure no cargo contamination
- ▶ Complete with automatic 'slip-clutch' to prevent accidental damage in use
- ▶ Simple to service, with use of hi-performance long life gears
- ▶ Alternative flange (up to 180mm Diameter) and fixings available
- ▶ Fully Type Approved by Class Societies Worldwide

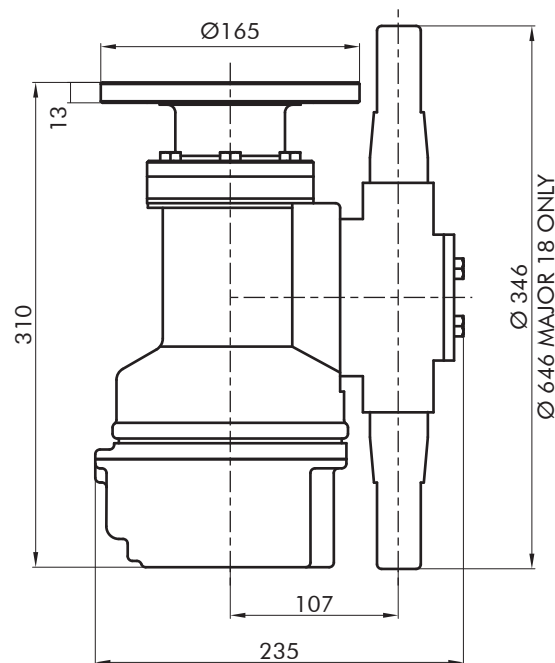
Typical installation



TECHNICAL SPECIFICATION

Supply Pressure kg/cm ²	NOZZLE DIAMETERS														
	2x11mm			2x12mm			2x14mm			2x16mm			2x18mm		
	Flow m ³ /hr	Jetlength mtrs	Cycle Time mins	Flow m ³ /hr	Jetlength mtrs	Cycle Time mins	Flow m ³ /hr	Jetlength mtrs	Cycle Time mins	Flow m ³ /hr	Jetlength mtrs	Cycle Time mins	Flow m ³ /hr	Jetlength mtrs	Cycle Time mins
8	26	14	37	32	15	39	42	17	43	50	18	42	57	19	49
10	29	16	34	35	17	36	45	19	39	55	20	39	64	21	46
12	33	18	32	40	19	34	51	21	37	61	22	37	70	23	44

General arrangement



Design service

Our Engineering Department offers a full design service including product selection and shadow diagrams prior to installation

Wash pattern

Pre-programmable Rotary 360°

Jet length

Maximum: 38mtrs (123 ft)
Typical: 20-35mtrs (66-115ft)

Operating Pressure

Maximum: 12 kg/cm² (190psi)
Optimum: 5-10kg/cm² (72-145 psi)

Flow Capacity

Minimum: 23 m³/hr (101 US gal/min)
Maximum: 65 m³/hr (286 US gal/min)

Wash Cycle

Time: Variable on supply pressure
Typical: Between 34-50mins
Type: 4 cycles for complete wash

Operating temperature

Maximum: 95° C (203° F)

Lubrication

Via wash media or sealed grease lubricated gearbox

Installation

Min deck opening: Ø 245mm (9.6 inches)
Fixed flanged: Std DIN 50 NP16
(Ø165mm with 4x18mm holes on a 125 PCD)
Portable: 2" ANSI Male thread

Weight

Fixed flanged: 21 kgs (46 lbs)
Portable: 19.5 kgs (43 lbs)

Ancillary equipment available

Layflat and Rigid Hoses, Ducting, Various Fittings and Adaptors, Transport Trolley.

Please see separate information sheet for details.