

Nor Sap

Offshore



A safe investment for a demanding work environment

AS Sørlandets Aluminiumprodukter

Nor-Sap Offshore

Nor-Sap Offshore is designed to suit a demanding work environment where operator precision is essential. The primary intention for this Chair is to utilize integrated Instrumentation such as Joysticks, Touch Panels and Switch Buttons.

Standard components include adjustable seat height regulation and gas suspended back rest tilt.

Options:

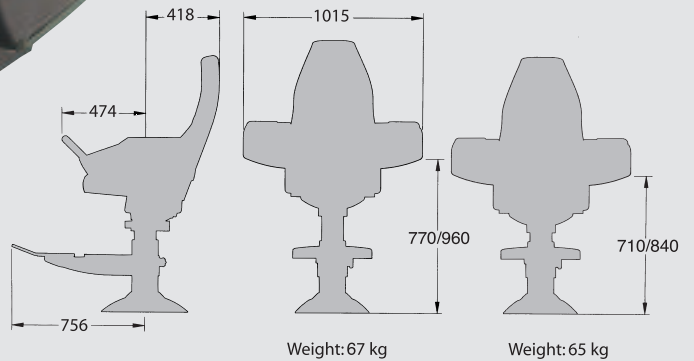
- El. Powered Seat Swing
- El. Powered Deck Rail
- Custom Screen Casings

All controls within arm's reach



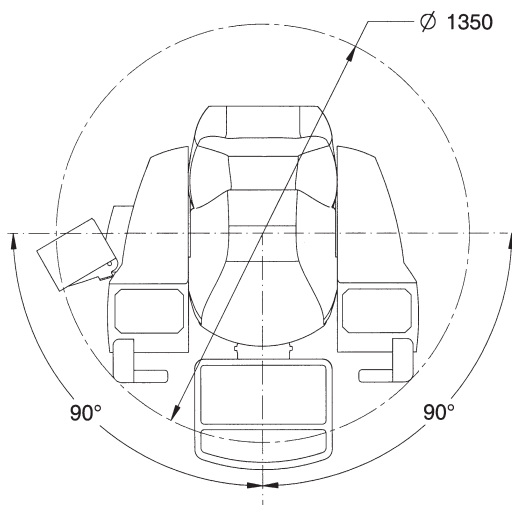
Art. no. 6551

Art. no. 6552



Art. no. 6551 sitting height: 770/960 mm

Art. no. 6552 sitting height: 710/840 mm



Max. Total rotation 180° with El. Swing/Rotation Art. No. 6555

Max. Total rotation 180° with Standard option of Manual Swing/Rotation

El. Powered Seat Swing Option

El. powered and Manual Seat Swing enables the Operator to swing the Chair from center forward position and up to 90° each side.

Recommended Power Supply 24v, 20 amps to be separate and insulated from sensitive equipment.

Art. no. 6555

El. Operated Deck Rail Option

The powered carriage travels on the Deck Rail. Deck Rails supplied in customizable lengths, mounted above or below deck. All cables pass through center slot.

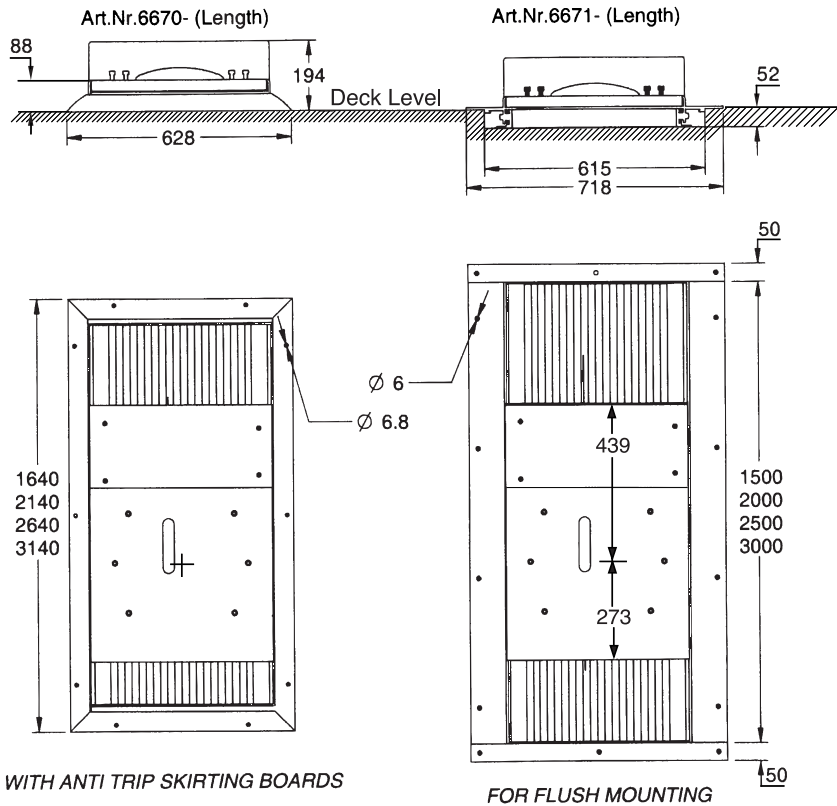
Recommended Power Supply 24v, 20 amps to be separate and insulated from sensitive equipment.

For mounting above deck:

L=1,5 m	51 kg	Art. no. 6670-1500
L=2 m	61 kg	Art. no. 6670-2000
L=2,5 m	72 kg	Art. no. 6670-2500
L=3 m	82 kg	Art. no. 6670-3000

For flush mounting:

L=1,5 m	51 kg	Art. no. 6671-1500
L=2 m	61 kg	Art. no. 6671-2000
L=2,5 m	72 kg	Art. no. 6671-2500
L=3 m	82 kg	Art. no. 6671-3000



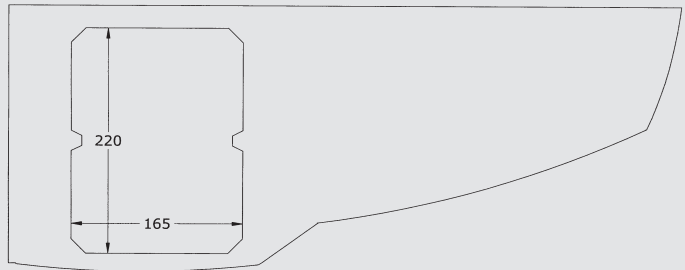
Main Control Functions

- 1 Operating handle for gas suspended sitting height regulation and back rest angle adjustment.
- 2 Button for electrically operated Seat Swing (Opt.Art. No. 6555). Manual Seat Swing supplied as standard.
- 3 Button for electrical forward and reverse movement of Chair.
- 4 Pull-out Note Pad Table.



Arm Rest Details

Incorporates Arm Rest Tilt function.
220x165 mm cutout.
Nor-Sap Offshore is supplied without
Instrumentation in Arm Rest.



Screen Casing Option

Customizable screen casings.
Incorporates Tilt and Swing functions.
Right or left side mount.
Cables through tube.
Supplied without screen.



AS Sørlandets Aluminiumprodukter

Boks 7005, Vestheiene Tlf: (47) 38 18 52 00
N-4674 Kristiansand Fax: (47) 38 18 20 86
Norway Email: sale@norsap.no
Internet: www.norsap.no



Dealer: